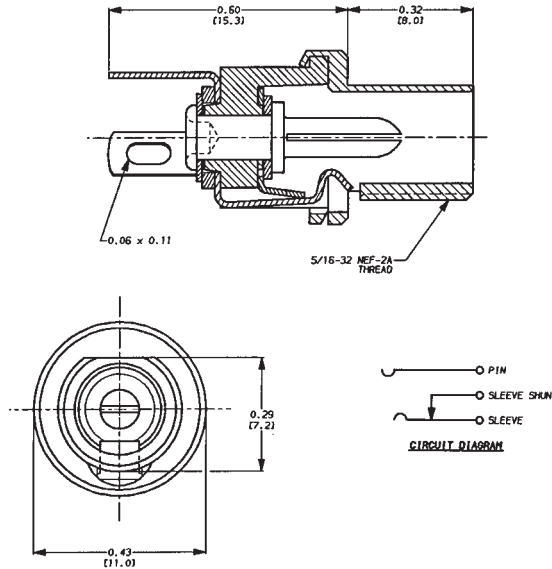
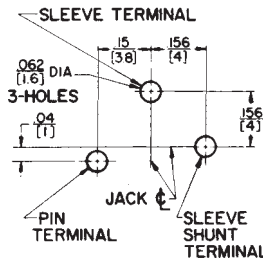
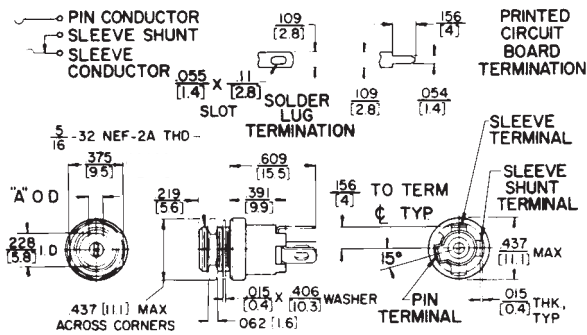


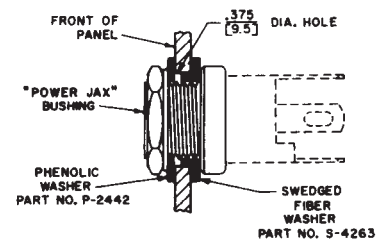
STRAIGHT MINIATURE POWER JACKS



712A

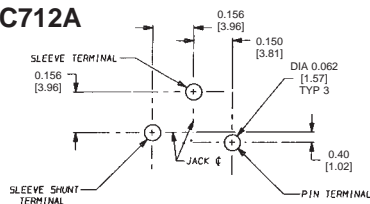


RECOMMENDED PC BOARD LAYOUT (BOTTOM/WIRING SIDE)



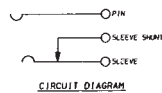
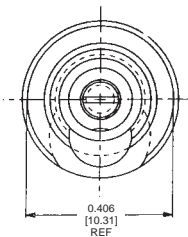
INSULATED MOUNTING

PC712A



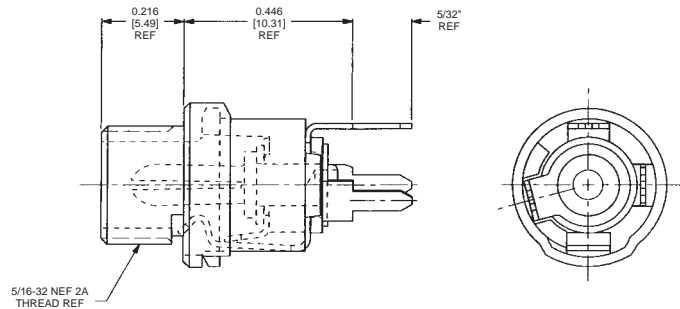
PC BOARD LAYOUT

SCALE: 1 = 0.250 COMPONENT SIDE



	CENTER PIN
RAPC 712	.097 - .099" (2.46 - 2.52 mm)
RAPC 722	.075 - .077" (1.91 - 1.96 mm)

RAPC 722



DIMENSIONS ARE FOR REFERENCE ONLY $\frac{\text{Inch}}{\text{(mm)}}$

NOTE: Contact your Switchcraft Representative for price and delivery.