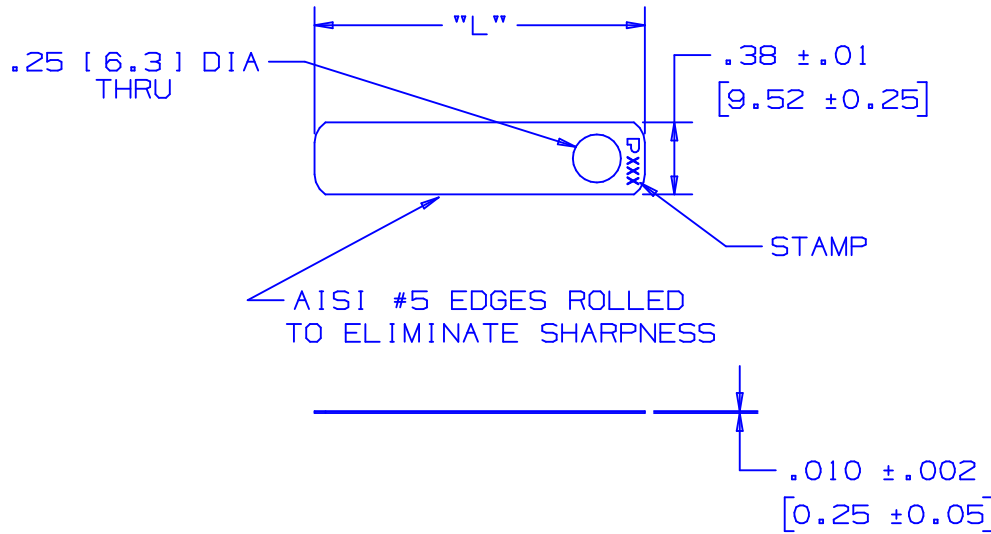


PANDUIT PART NO.	MATERIAL	PACKAGE QTY.	LENGTH "L" ±.02	STAMP
MT172W38-C	304 SS.	100	1.72 [ 43 ]	P 304
MT350W38-C316	316 SS.	100	3.50 [ 89 ]	P 316



NOTES:

- DIMENSIONS IN [ ] ARE mm.
- CUSTOM PERMANENT MARKING AVAILABLE. CONSULT FACTORY.
- TOLERANCES:  
 .XXX = ±.010 [ .25 ]  
 .XX = ±.02 [ .5 ]  
 .X = ±.03 [ .8 ]  
 ANGLES = ±2°

S41063\_04

							PANDUIT CORP. TINLEY PARK, ILLINOIS			
							METAL TAGS - 1 HOLE			
04	5/05	JAMB		ADDED PART NO. MT350W38-C316 TO TABLE.	12679			UNLESS OTHERWISE SPECIFIED, DIMENSIONAL TOLERANCES ARE: (.X) ± --- (.XXX) ± --- (.XX) ± --- ANGLES ± ---	UNLESS OTHERWISE SPECIFIED, ALL DIMENSIONS ARE GIVEN IN INCHES, THIRD ANGLE PROJECTION.	
03	10/03	BRH	DPN	REMOVED PART NO. MT350W38-C316 FROM TABLE.	11168	CCH	JJB			
02	5/02	JAMB	DPN	MAT'L FOR PART NO. MT172W38-C WAS 302 S.S. STAMP WAS "P 302"	10040	CCH	JJB	DRAWN BY SAM DATE 11/11/91 CHK'D JAC	SCALE FULL	
01	1/01	KMD	JAC	REMOVED MT172W-38-C316 & MT350W38-C FROM TABLE. FILE SPEC WAS NPC_S41063_00	09063	CCH	JAC			
00	11/91	SM	JAC	RELEASED	00679	GJP	LA			
REV	DATE	BY	CHK	DESCRIPTION	ECN #	PM	CUST	MAT'L: STAINLESS STEEL	DRAWING NO. S41063	DWG SIZE A