

Low Profile Dual & Triple Output

- ◆ 26mm height
- ◆ Outputs 2 and 3 isolated from output 1
- ◆ Universal Input (85 - 265VAC)

RoHS



Key Market Segments & Applications

Factory Automation	Process Control, NC-Machining, Automotive, Packaging Equipment, Materials Handling, Chemical Processing, Robots
Test & Measurement	Burn-in & Test, Automated Test, Instrumentation, Measurement, Detection
Automated Service	Vending Machines, Elevators, Video Gaming, Point of Sale Equipment

Features and Benefits

Feature

- ◆ Low Profile
- ◆ Isolated 2nd and 3rd outputs
- ◆ Wattbox design on LWT

Benefit

- ◆ Assists System Integration
- ◆ Enable series operation for higher voltages
- ◆ Power trading between outputs

Specifications

MODEL		LWD15	LWD30	LWT15H	LWT30H	LWT50H
ITEMS						
Max Output Power (typ)	W	15	30	17	30	50
Efficiency (Typ)	%	64	70	72	73	72
AC Input Voltage range	-	85 - 265VAC (47 - 440Hz)				
DC Input Voltage range	-	110 - 350VDC				110 - 330VDC
Input Current Typ (100/200VAC)	A	0.4/0.2	0.72/0.36	0.4/0.22	0.7/0.42	1.2/0/7
Inrush Current (110/200VAC)	A	17/34	14/28	14/28	16/32	16/32
Output 1 Voltage Adjustment	-	5V: 5 to 5.25V, 12V: 12 to 12.6V, 15V: 15V to 15.75V				
Output Voltage Accuracy	-	Output 2 ±5%		Output 2 & 3 ±5%		
Temperature Coefficient	-	Output 1 < 1%, Output 2 or 3, <2% at 0 - 60°C				
Line Regulation	-	1%				
Load Regulation	-	2%				
Ripple & Noise	-	5V:100mV, 12V & 15V: 150mV, 24V: 200mV			Output 1: 100mV, Outputs 2 & 3: 150mV	
Overcurrent Protection	-	>105%				
Overvoltage Protection	V	Main output only: 5.75 - 6.75V, manual reset				
Hold Up Time (Typ at 100VAC)	ms	20				
Series Operation	-	Possible				
Operating Temperature	-	LWD: 0°C to +60°C, derate as follows: 40°C: 100%, 50°C: 60%, 60°C: 40% LWT: 0°C to +60°C, derate as follows: 40°C: 100%, 50°C: 80%, 60°C: 60%				
Storage Temperature	°C	-30 to +85°C				
Operating Humidity	-	30 - 90% RH (Non condensing)				
Storage Humidity	-	10 - 95% RH (Non condensing)				
Cooling	-	Convection				
Withstand Voltage	-	Input to Gnd, Input to Output 2kVAC (20mA)		Input to Gnd 2kVAC Input to Output 3kVAC (20mA)		
Isolation Resistance	-	>100M at 25C & 70%RH, Output to Ground 500VDC				
Vibration (non operating)	-	19.6m/s ²			10-55Hz(1 min) <19.6m/s ² (1 hr)	
Shock	-	196.1m/s ²				
Safety Agency Approvals (1)	-	UL60950-1, CSA60950-1, EN60950-1, CE LVD			UL60950-1, CSA60950-1, EN60950-1, CE LVD	
Conducted EMI	-	FCC Class A			VDE Class B, FCC Class B	
Weight (Typ)	g	180	250	220	300	400
Size (WxHxD)	mm	Please refer to outline drawings				
Warranty	-	One Year				

(1) LWD Series approved as ELV

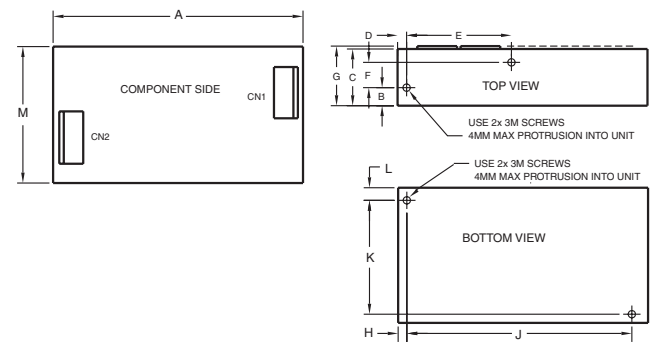
* LWT models only

Note: See Installation Manual for full details, test methods of parameters and application notes

Output Ratings

Model	Output	Voltage	Min Current	Max Current
LWD15-0512	V1	5V	0.0	1.5
	V2	12V	0.0	0.6
LWD15-0524	V1	5V	0.0	1.5
	V2	24V	0.0	0.3
LWD15-1212	V1	12V	0.0	0.6
	V2	12V	0.0	0.6
LWD15-1224	V1	12V	0.0	0.6
	V2	24V	0.0	0.3
LWD15-1515	V1	15V	0.0	0.5
	V2	15V	0.0	0.5
LWD30-0512	V1	5V	0.0	3.0
	V2	12V	0.0	1.2
LWD30-0524	V1	5V	0.0	3.0
	V2	24V	0.0	0.6
LWD30-1212	V1	12V	0.0	1.2
	V2	12V	0.0	1.2
LWD30-1224	V1	12V	0.0	1.2
	V2	24V	0.0	0.6
LWD30-1515	V1	15V	0.0	1.0
	V2	15V	0.0	1.0
LWT15H-522	V1	5V	0.5	3.0
	V2	+12V	0.0	0.6
	V3	-12V	0.0	0.4
LWT15H-5FF	V1	5V	0.5	3.0
	V2	+15V	0.0	0.6
	V3	-15V	0.0	0.4
LWT15H-525	V1	5V	0.5	3.0
	V2	+12V	0.0	0.6
	V3	-5V	0.0	0.4
LWT30H-522	V1	5V	0.7	5.0
	V2	+12V	0.0	1.2
	V3	-12V	0.0	0.6
LWT30H-5FF	V1	5V	0.7	5.0
	V2	+15V	0.0	1.2
	V3	-15V	0.0	0.6
LWT30H-525	V1	5V	0.7	5.0
	V2	+12V	0.0	1.2
	V3	-5V	0.0	0.6
LWT50H-522	V1	5V	1.0	8.0
	V2	+12V	0.0	1.5
	V3	-12V	0.0	1.0
LWT50H-5FF	V1	5V	1.0	8.0
	V2	+15V	0.0	1.5
	V3	-15V	0.0	1.0
LWT50H-525	V1	5V	1.0	8.0
	V2	+12V	0.0	1.5
	V3	-5V	0.0	1.0

LW Outline Drawing



DIMENSIONS:

MODEL	A	B	C	D	E	F	G	H	J	K	L	M
LWT-15	5.03 (128.0)	.31 (7.9)	.98 (25.0)	.15 (3.8)	1.811 (46.0)	.433 (11.0)	1.02 (26.0)	.15 (3.8)	3.897 (99.0)	1.988 (50.5)	.21 (5.3)	2.36 (59.9)
LWT-30	6.29 (160.0)	.47 (12.0)	.98 (25.0)	1.77 (45.0)	3.937 (99.9)	.314 (8.0)	1.02 (26.0)	.66 (17.0)	5.433 (138.0)	.905 (23.0)	1.69 (43.0)	2.75 (70.0)
LWT-50	6.29 (159.7)	.35 (8.8)	1.02 (26.0)	.39 (10.0)	4.625 (117.5)	.433 (11.0)	-	1.67 (42.4)	3.602 (91.5)	3.228 (82.0)	.31 (7.8)	3.82 (97.0)
LWD-15	4.32 (109.7)	.31 (7.9)	.98 (25.0)	.15 (3.8)	1.812 (46.0)	.437 (11.0)	1.03 (26.1)	.15 (3.8)	3.890 (98.8)	1.988 (50.5)	.21 (5.3)	2.36 (59.9)
LWD-30	5.75 (146.0)	.48 (12.1)	.98 (25.0)	1.37 (34.9)	3.937 (99.9)	.312 (7.9)	1.03 (26.1)	.28 (7.1)	5.437 (138.0)	.906 (23.0)	1.29 (32.7)	2.36 (59.9)
LWD-50	6.29 (159.7)	.35 (8.8)	.98 (25.0)	.39 (9.9)	4.625 (117.4)	.437 (11.0)	1.03 (26.1)	1.67 (42.4)	5.437 (138.0)	3.234 (82.1)	.31 (7.8)	3.81 (96.7)

WEIGHT:

MODEL	LBS
LWT-15	.50
LWT-30	.70
LWT-50	1.00
LWD-15	.50
LWD-30	.70
LWD-50	1.00

1. DIMENSIONS ARE IN INCHES EXCEPT DIMENSIONS IN () ARE IN MM.
 2. 4x M3 TAPPED HOLES FOR CUSTOMER MTG.
 SCREWS MUST NOT PROTRUDE INTO P.S. BY MORE THAN .15 (4) MAX.

Other Lambda Industrial Products

HWS	15W-1500W Single output
ZWQ	80W-170W Quad output
ZP	20W-60W Single, dual & triple output
LS	25-150W Single output, low cost

For Additional Information, please visit
us.tdk-lambda.com/llp/products/lw-series.htm