



October 2008

Single-Channel: 6N135M, 6N136M, HCPL2503M, HCPL4502M, HCPL4503M Dual-Channel: HCPL2530M, HCPL2531M High Speed Transistor Optocouplers

Features

- High speed –1 MBit/s
- Superior CMR – 10kV/μs
- Dual-Channel HCPL2530M, HCPL2531M (Preliminary)
- CTR guaranteed 0–70°C
- U.L. recognized (File # E90700, Vol. 2)
- 5,000Vrms (1 minute) isolation rating
- Superior CMR of 15,000V/μs min. (HCPL4503M)
- >8mm creepage and clearance (option T)
- No base connection for improved noise immunity (HCPL4502M, HCPL4503M)

Applications

- Line receivers
- Pulse transformer replacement
- Output interface to CMOS-LSTTL-TTL
- Wide bandwidth analog coupling

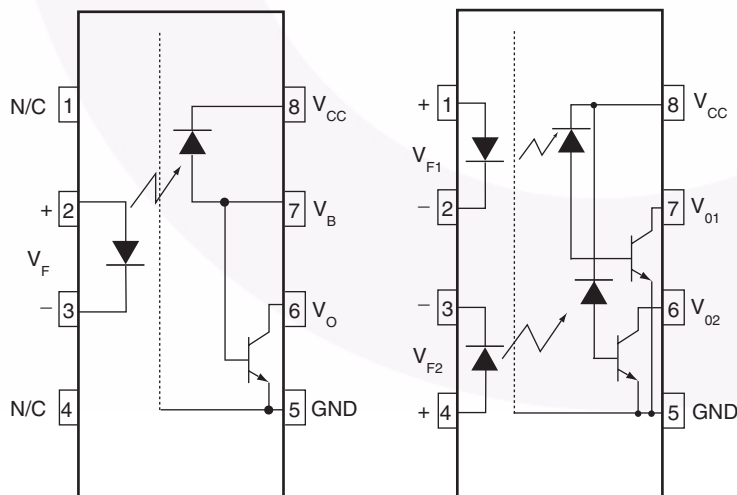
Description

The HCPL4502M, HCPL4503M, HCPL2503M, 6N135M, 6N136M, HCPL2530M and HCPL2531M optocouplers consist of an AlGaAs LED optically coupled to a high speed photodiode transistor.

A separate connection for the bias of the photodiode improves the speed by several orders of magnitude over conventional phototransistor optocouplers by reducing the base-collector capacitance of the input transistor.

An internal noise shield provides superior common mode rejection of up to 50,000V/μs.

Schematics

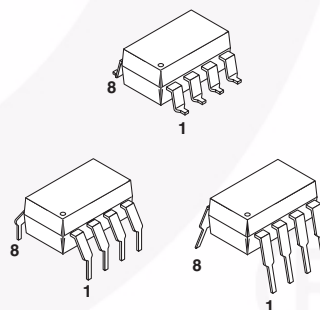


6N135M, 6N136M, HCPL2503M,
HCPL4502M, HCPL4503M

HCPL2530M/HCPL2531M

Pin 7 is not connected in
HCPL4502M and HCPL4503M

Package Outlines



Single-Channel: 6N135M, 6N136M, HCPL2503M, HCPL4502M, HCPL4503M
Dual-Channel: HCPL2530M, HCPL2531M — High Speed Transistor Optocouplers

PRELIMINARY

Absolute Maximum Ratings ($T_A = 25^\circ\text{C}$ unless otherwise specified)

Stresses exceeding the absolute maximum ratings may damage the device. The device may not function or be operable above the recommended operating conditions and stressing the parts to these levels is not recommended. In addition, extended exposure to stresses above the recommended operating conditions may affect device reliability. The absolute maximum ratings are stress ratings only.

Symbol	Parameter	Condition	Value	Units
T_{STG}	Storage Temperature		-40 to +125	$^\circ\text{C}$
T_{OPR}	Operating Temperature		-40 to +100	$^\circ\text{C}$
T_{SOL}	Lead Solder Temperature (Wave)		260 for 10 sec	$^\circ\text{C}$
EMITTER				
I_F (avg)	DC/Average Forward Input Current Each Channel ⁽¹⁾		25	mA
I_F (pk)	Peak Forward Input Current Each Channel ⁽²⁾	50% duty cycle, 1ms P.W.	50	mA
I_F (trans)	Peak Transient Input Current Each Channel	$\leq 1\mu\text{s}$ P.W., 300pps	1.0	A
V_R	Reverse Input Voltage Each Channel		5	V
P_D	Input Power Dissipation Each Channel	6N135M, 6N136M, HCPL2503M, HCPL4502M, HCPL4503M	100	mW
		HCPL2530M, HCPL2531M ⁽³⁾	45	
DETECTOR				
I_O (avg)	Average Output Current Each Channel		8	mA
I_O (pk)	Peak Output Current Each Channel		16	mA
V_{EBR}	Emitter-Base Reverse Voltage	6N135M, 6N136M and HCPL2503M only	5	V
V_{CC}	Supply Voltage		-0.5 to 30	V
V_O	Output Voltage		-0.5 to 20	V
I_B	Base Current	6N135M, 6N136M and HCPL2503M only	5	mA
PD	Output Power Dissipation Each Channel	6N135M, 6N136M, HCPL2503M, HCPL4502M, HCPL4503M ⁽⁴⁾	100	mW
		HCPL2530M, HCPL2531M	35	mW

Notes:

1. Derate linearly above 70°C free-air temperature at a rate of $0.8\text{mA}/^\circ\text{C}$.
2. Derate linearly above 70°C free-air temperature at a rate of $1.6\text{mA}/^\circ\text{C}$.
3. Derate linearly above 70°C free-air temperature at a rate of $0.9\text{mW}/^\circ\text{C}$.
4. Derate linearly above 70°C free-air temperature at a rate of $2.0\text{mW}/^\circ\text{C}$.

Single-Channel: 6N135M, 6N136M, HCPL2503M, HCPL4502M, HCPL4503M
Dual-Channel: HCPL2530M, HCPL2531M — High Speed Transistor Optocouplers

PRELIMINARY

Electrical Characteristics ($T_A = 0$ to 70°C Unless otherwise specified)

Individual Component Characteristics

Symbol	Parameter	Test Conditions	Device	Min.	Typ.*	Max.	Unit
EMITTER							
V_F	Input Forward Voltage	$I_F = 16\text{mA}$, $T_A = 25^\circ\text{C}$	All		1.45	1.7	V
		$I_F = 16\text{mA}$	All			1.8	
B_{VR}	Input Reverse Breakdown Voltage	$I_R = 10\ \mu\text{A}$	All	5.0			V
$\Delta V_F/\Delta T_A$	Temperature Coefficient of Forward Voltage	$I_F = 16\text{mA}$	All		-1.6		mV/ $^\circ\text{C}$
DETECTOR							
I_{OH}	Logic High Output Current	$I_F = 0\text{mA}$, $V_O = V_{CC} = 5.5\text{V}$, $T_A = 25^\circ\text{C}$	All		0.003	0.5	μA
		$I_F = 0\text{mA}$, $V_O = V_{CC} = 15\text{V}$, $T_A = 25^\circ\text{C}$	6N135M 6N136M HCPL4502M HCPL4503M HCPL2503M		0.005	1	
		$I_F = 0\text{mA}$, $V_O = V_{CC} = 15\text{V}$	All			50	
I_{CCL}	Logic Low Supply Current	$I_F = 16\text{mA}$, $V_O = \text{Open}$, $V_{CC} = 15\text{V}$	6N135M 6N136M HCPL4502M HCPL4503M HCPL2503M		145	200	μA
		$I_{F1} = I_{F2} = 16\text{mA}$, $V_O = \text{Open}$, $V_{CC} = 15\text{V}$	HCPL2530M HCPL2531M		250	400	
I_{CCH}	Logic High Supply Current	$I_F = 0\text{mA}$, $V_O = \text{Open}$, $V_{CC} = 15\text{V}$, $T_A = 25^\circ\text{C}$	6N135M 6N136M HCPL4502M HCPL4503M HCPL2503M			1	μA
		$I_F = 0\text{mA}$, $V_O = \text{Open}$, $V_{CC} = 15\text{V}$	6N135M 6N136M HCPL4502M HCPL4503M HCPL2503M			2	
		$I_F = 0\text{mA}$, $V_O = \text{Open}$, $V_{CC} = 15\text{V}$	HCPL2530M HCPL2531M		0.02	4	

*All Typical at $T_A = 25^\circ\text{C}$

Single-Channel: 6N135M, 6N136M, HCPL2503M, HCPL4502M, HCPL4503M
Dual-Channel: HCPL2530M, HCPL2531M — High Speed Transistor Optocouplers

PRELIMINARY

Electrical Characteristics (Continued) ($T_A = 0$ to 70°C unless otherwise specified)

Transfer Characteristics

Symbol	Parameter	Test Conditions	Device	Min.	Typ.*	Max.	Unit		
COUPLED									
CTR	Current Transfer Ratio ⁽⁵⁾	$I_F = 16\text{mA}$, $V_O = 0.4\text{V}$, $V_{CC} = 4.5\text{V}$, $T_A = 25^\circ\text{C}$	6N135M HCPL2530M	7	18	50	%		
			6N136M HCPL4502M HCPL4503M HCPL2531M	19	30	50	%		
			HCPL2503M	12	27		%		
		$I_F = 16\text{mA}$, $V_{CC} = 4.5\text{V}$	$V_{OL} = 0.4\text{V}$	6N135M	5	21			%
			$V_{OL} = 0.5\text{V}$	HCPL2530M					
			$V_{OL} = 0.4\text{V}$	6N136M HCPL4502M HCPL4503M	15	30			%
			$V_{OL} = 0.5\text{V}$	HCPL2531M					
$V_{OL} = 0.4\text{V}$	HCPL2503M	9	30			%			
V_{OL}	Logic LOW Output Voltage	$I_F = 16\text{mA}$, $I_O = 1.1\text{mA}$, $V_{CC} = 4.5\text{V}$, $T_A = 25^\circ\text{C}$	6N135M		0.10	0.4	V		
			HCPL2530M		0.10	0.5			
		$I_F = 16\text{mA}$, $I_O = 3\text{mA}$, $V_{CC} = 4.5\text{V}$, $T_A = 25^\circ\text{C}$	6N136M HCPL2503M HCPL4503M		0.15	0.4			
			HCPL2531M		0.15	0.5			
		$I_F = 16\text{mA}$, $I_O = 0.8\text{mA}$, $V_{CC} = 4.5\text{V}$	6N135M HCPL2530M			0.5			
$I_F = 16\text{mA}$, $I_O = 2.4\text{mA}$, $V_{CC} = 4.5\text{V}$	HCPL4502M HCPL4503M HCPL2531M			0.5					

*All Typical at $T_A = 25^\circ\text{C}$

Note:

- Current Transfer Ratio is defined as a ratio of output collector current, I_O , to the forward LED input current, I_F , times 100%.

Single-Channel: 6N135M, 6N136M, HCPL2503M, HCPL4502M, HCPL4503M
Dual-Channel: HCPL2530M, HCPL2531M — High Speed Transistor Optocouplers

PRELIMINARY

Electrical Characteristics (Continued) ($T_A = 0$ to 70°C unless otherwise specified)

Switching Characteristics ($V_{CC} = 5\text{V}$)

Symbol	Parameter	Test Conditions	Device	Min.	Typ.*	Max.	Unit
T_{PHL}	Propagation Delay Time to Logic LOW	$T_A = 25^\circ\text{C}$, $R_L = 4.1\text{k}\Omega$, $I_F = 16\text{mA}^{(6)}$ (Fig. 7)	6N135M HCPL2530M		0.45	1.5	μs
		$R_L = 1.9\text{k}\Omega$, $I_F = 16\text{mA}$, $T_A = 25^\circ\text{C}^{(7)}$ (Fig. 7)	6N136M HCPL4502M HCPL4503M HCPL2503M HCPL2531M		0.45	0.8	μs
		$R_L = 4.1\text{k}\Omega$, $I_F = 16\text{mA}^{(6)}$ (Fig. 7)	6N135M HCPL2530M			2.0	μs
		$R_L = 1.9\text{k}\Omega$, $I_F = 16\text{mA}^{(7)}$ (Fig. 7)	6N136M HCPL4502M HCPL4503M HCPL2503M HCPL2531M			1.0	μs
T_{PLH}	Propagation Delay Time to Logic HIGH	$T_A = 25^\circ\text{C}$, ($R_L = 4.1\text{k}\Omega$, $I_F = 16\text{mA}^{(6)}$) (Fig. 7)	6N135M HCPL2530M		0.5	1.5	μs
		$R_L = 1.9\text{k}\Omega$, $I_F = 16\text{mA}^{(7)}$ (Fig. 7) $T_A = 25^\circ\text{C}$	6N136M HCPL4502M HCPL4503M HCPL2503M HCPL2531M		0.3	0.8	μs
		$R_L = 4.1\text{k}\Omega$, $I_F = 16\text{mA}^{(6)}$ (Fig. 7)	6N135M HCPL2530M			2.0	μs
		$R_L = 1.9\text{k}\Omega$, $I_F = 16\text{mA}^{(7)}$ (Fig. 7)	6N136M HCPL4502M HCPL4503M HCPL2503M HCPL2531M			1.0	μs
ICM_{HI}	Common Mode Transient Immunity at Logic High	$I_F = 0\text{mA}$, $V_{CM} = 10\text{V}_{P-P}$, $R_L = 4.1\text{k}\Omega$, $T_A = 25^\circ\text{C}^{(8)}$ (Fig. 8)	6N135M HCPL2530M		10,000		$\text{V}/\mu\text{s}$
		$I_F = 0\text{mA}$, $V_{CM} = 10\text{V}_{P-P}$, $R_L = 1.9\text{k}\Omega$, $T_A = 25^\circ\text{C}^{(8)}$ (Fig. 8)	6N136M HCPL4502M HCPL2503M HCPL2531M		10,000		$\text{V}/\mu\text{s}$
		$I_F = 0\text{mA}$, $V_{CM} = 1,500\text{V}_{P-P}$, $R_L = 1.9\text{k}\Omega$, $T_A = 25^\circ\text{C}^{(8)}$ (Fig. 8)	HCPL4503M	15,000	30,000		
ICM_{LI}	Common Mode Transient Immunity at Logic Low	$I_F = 16\text{mA}$, $V_{CM} = 10\text{V}_{P-P}$, $R_L = 4.1\text{k}\Omega$, $T_A = 25^\circ\text{C}^{(8)}$ (Fig. 8)	6N135M HCPL2530M		10,000		$\text{V}/\mu\text{s}$
		$I_F = 16\text{mA}$, $V_{CM} = 10\text{V}_{P-P}$, $R_L = 1.9\text{k}\Omega^{(8)}$ (Fig. 8)	6N136M HCPL4502M HCPL2503M HCPL2531M		10,000		$\text{V}/\mu\text{s}$
		$I_F = 0\text{mA}$, $V_{CM} = 1,500\text{V}_{P-P}$, $R_L = 1.9\text{k}\Omega$, $T_A = 25^\circ\text{C}^{(8)}$ (Fig. 8)	HCPL4503M	15,000	30,000		

** All Typical at $T_A = 25^\circ\text{C}$

Notes:

- The $4.1\text{k}\Omega$ load represents 1 LSTTL unit load of 0.36mA and $6.1\text{k}\Omega$ pull-up resistor.
- The $1.9\text{k}\Omega$ load represents 1 TTL unit load of 1.6mA and $5.6\text{k}\Omega$ pull-up resistor.
- Common mode transient immunity in logic high level is the maximum tolerable (positive) dV_{cm}/dt on the leading edge of the common mode pulse signal V_{CM} , to assure that the output will remain in a logic high state (i.e., $V_O > 2.0\text{V}$). Common mode transient immunity in logic low level is the maximum tolerable (negative) dV_{cm}/dt on the trailing edge of the common mode pulse signal, V_{CM} , to assure that the output will remain in a logic low state (i.e., $V_O < 0.8\text{V}$).

Single-Channel: 6N135M, 6N136M, HCPL2503M, HCPL4502M, HCPL4503M
Dual-Channel: HCPL2530M, HCPL2531M — High Speed Transistor Optocouplers

PRELIMINARY

Electrical Characteristics (Continued) ($T_A = 0$ to 70°C unless otherwise specified)

Isolation Characteristics ($T_A = 0$ to 70°C Unless otherwise specified)

Symbol	Characteristics	Test Conditions	Min	Typ**	Max	Unit
V_{ISO}	Withstand Insulation Test Voltage	$RH \leq 50\%$, $T_A = 25^\circ\text{C}$, $I_{I-O} \leq 10\mu\text{A}$, $t = 1 \text{ min.}$, $f = 50\text{Hz}^{(9)(11)}$	5,000			V_{RMS}
R_{I-O}	Resistance (Input to Output)	$V_{I-O} = 500\text{VDC}^{(9)}$		10^{11}		Ω
C_{I-O}	Capacitance (Input to Output)	$f = 1\text{MHz}$, $V_{I-O} = 0\text{V}^{(9)}$		1		pF
HFE	DC Current Gain	$I_O = 3\text{mA}$, $V_O = 5\text{V}^{(9)}$		150		
I_{I-I}	Input-Input Insulation Leakage Current	$RH \leq 45\%$, $V_{I-I} = 500\text{VDC}^{(10)}$ $t = 5 \text{ s}$, (HCPL2530M/2531M only)		0.005		μA
R_{I-I}	Input-Input Resistance	$V_{I-I} = 500 \text{ VDC}^{(10)}$ (HCPL2530M/2531M only)		10^{11}		Ω
C_{I-I}	Input-Input Capacitance	$f = 1\text{MHz}^{(10)}$ (HCPL2530M/2531M only)		0.03		pF

Notes:

9. Device is considered a two terminal device: Pins 1, 2, 3 and 4 are shorted together and Pins 5, 6, 7 and 8 are shorted together.
10. Measured between pins 1 and 2 shorted together, and pins 3 and 4 shorted together.
11. 5,000Vrms for 1 minute duration is equivalent to 6,000Vrms for 1 second duration.

Single-Channel: 6N135M, 6N136M, HCPL2503M, HCPL4502M, HCPL4503M
 Dual-Channel: HCPL2530M, HCPL2531M — High Speed Transistor Optocouplers

Typical Performance Curves

Fig. 1 Normalized CTR vs. Forward Current

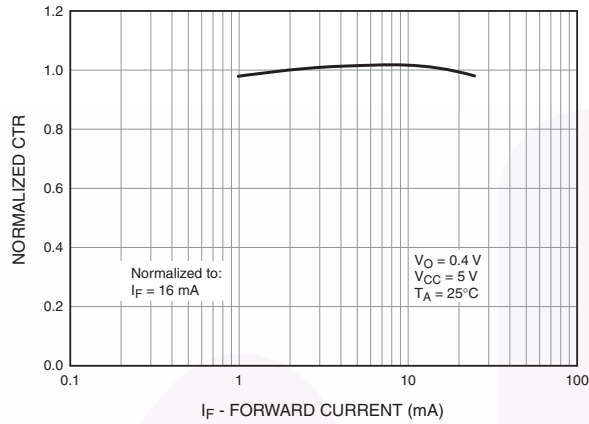


Fig. 2 Normalized CTR vs. Temperature

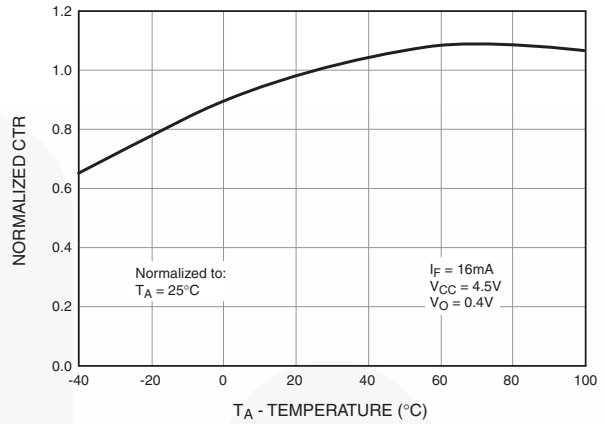


Fig. 3 Output Current vs. Output Voltage

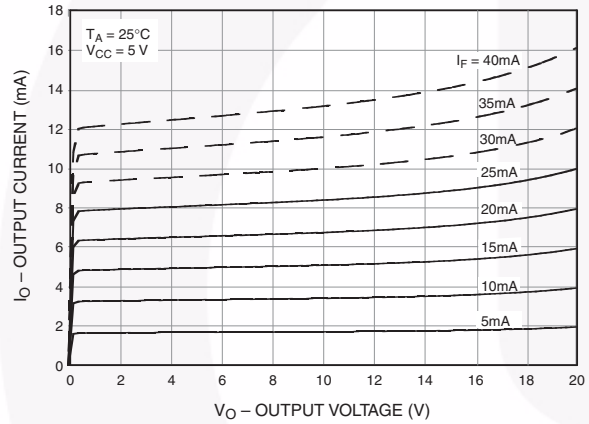


Fig. 4 Logic High Output Current vs. Temperature

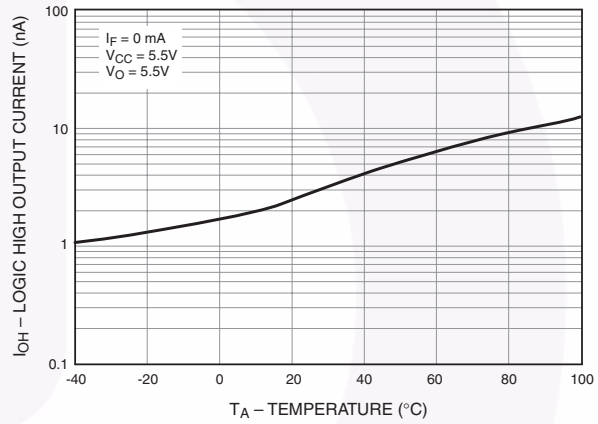


Fig. 5 Propagation Delay vs. Temperature

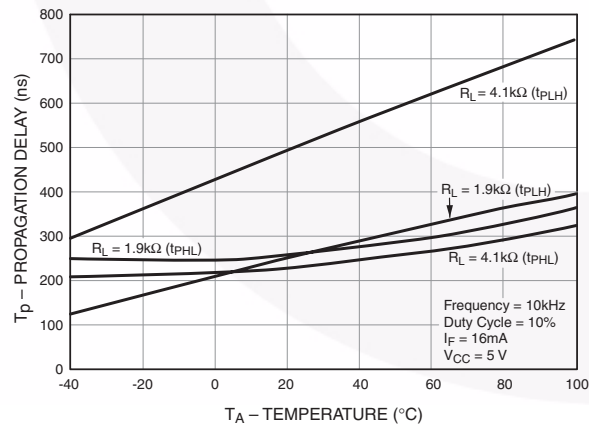
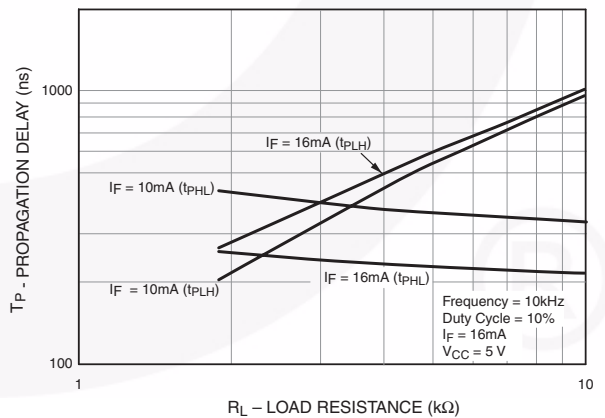
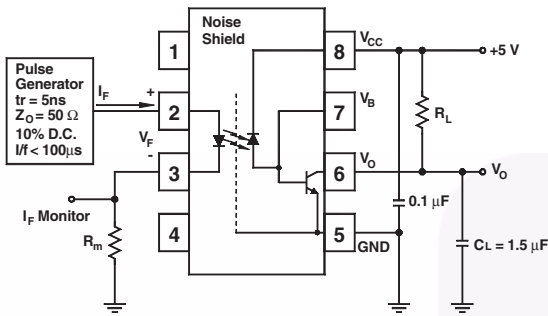


Fig. 6 Propagation Delay vs. Load Resistance

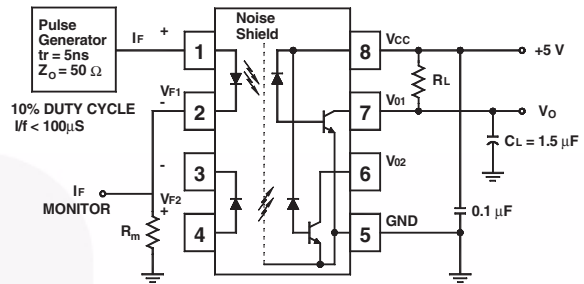


Single-Channel: 6N135M, 6N136M, HCPL2503M, HCPL4502M, HCPL4503M
 Dual-Channel: HCPL2530M, HCPL2531M — High Speed Transistor Optocouplers

Test Circuits



Test Circuit for 6N135M, 6N136M, HCPL2503M, HCPL4502M and HCPL4503M



Test Circuit for HCPL2530M and HCPL2531M

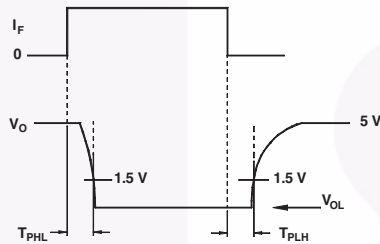
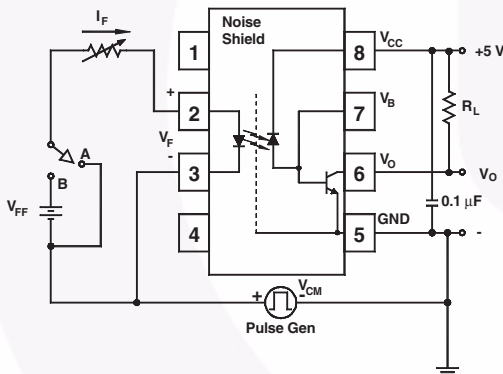
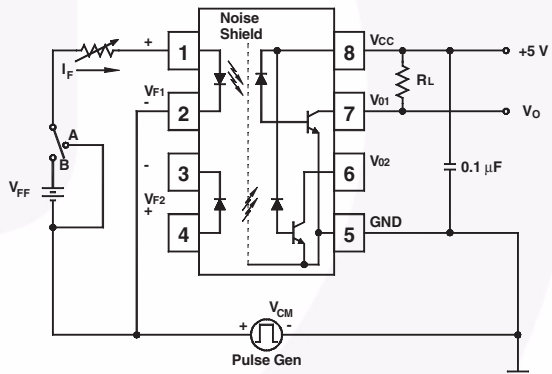


Fig. 7 Switching Time Test Circuit



Test Circuit for 6N135M, 6N136M, HCPL2503M, HCPL4502M and HCPL4503M



Test Circuit for HCPL2530M and HCPL2531M

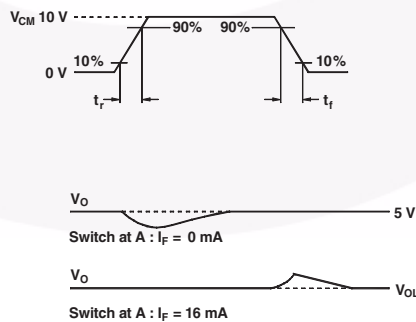
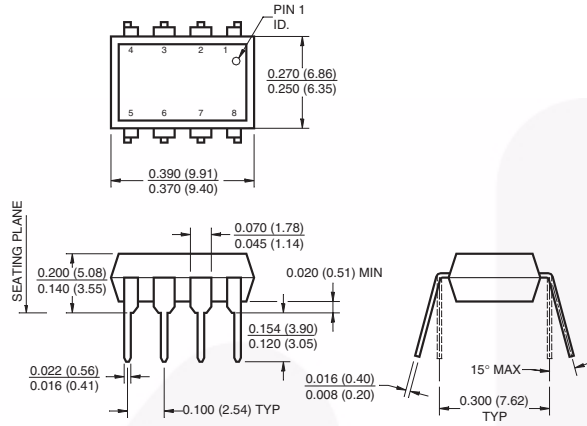


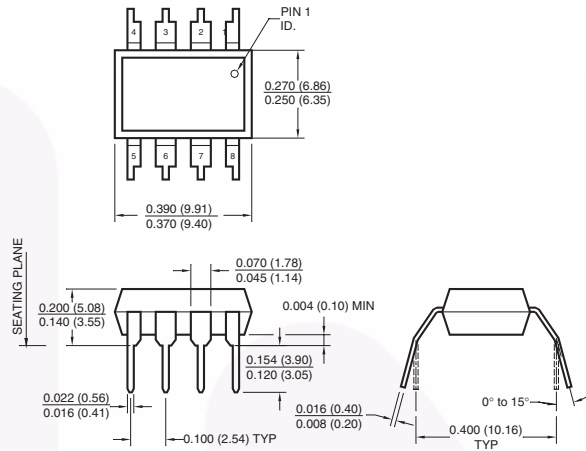
Fig. 8 Common Mode Immunity Test Circuit

Package Dimensions

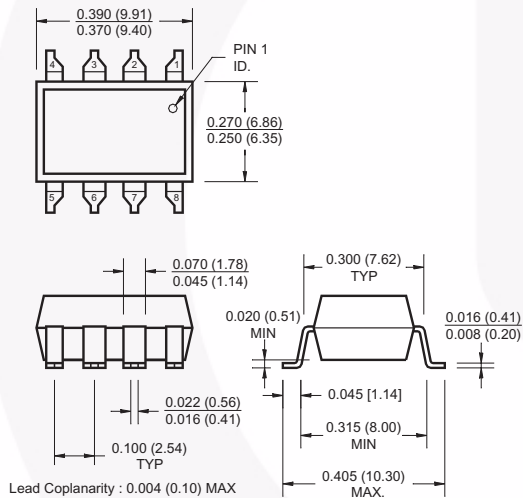
Through Hole



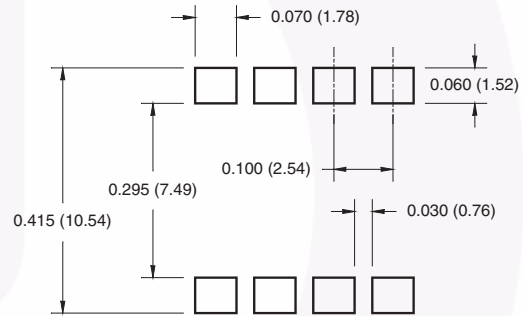
0.4" Lead Spacing



Surface Mount



8-Pin DIP – Land Pattern (option S)



Note:

All dimensions are in inches (millimeters)

Package drawings are provided as a service to customers considering Fairchild components. Drawings may change in any manner without notice. Please note the revision and/or date on the drawing and contact a Fairchild Semiconductor representative to verify or obtain the most recent revision. Package specifications do not expand the terms of Fairchild's worldwide terms and conditions, specifically the warranty therein, which covers Fairchild products.

Always visit Fairchild Semiconductor's online packaging area for the most recent package drawings:

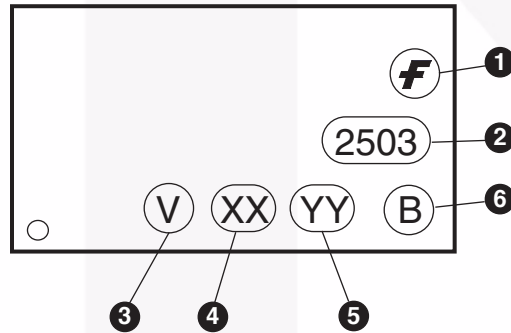
<http://www.fairchildsemi.com/packaging/>

Single-Channel: 6N135M, 6N136M, HCPL2503M, HCPL4502M, HCPL4503M
Dual-Channel: HCPL2530M, HCPL2531M — High Speed Transistor Optocouplers

Ordering Information

Option	Example Part Number	Description
No option	6N135M	Standard through hole lead form
S	6N135SM	Surface mount lead bend
SD	6N135SDM	Surface mount; tape and reel
T	6N135TM	0.4" lead spacing
V	6N135VM	IEC60747-5-2 (approval pending)
TV	6N135TVM	IEC60747-5-2 (approval pending); 0.4" lead spacing
SV	6N135SVM	IEC60747-5-2 (approval pending); surface mount
SDV	6N135SDVM	IEC60747-5-2 (approval pending); surface mount; tape and reel

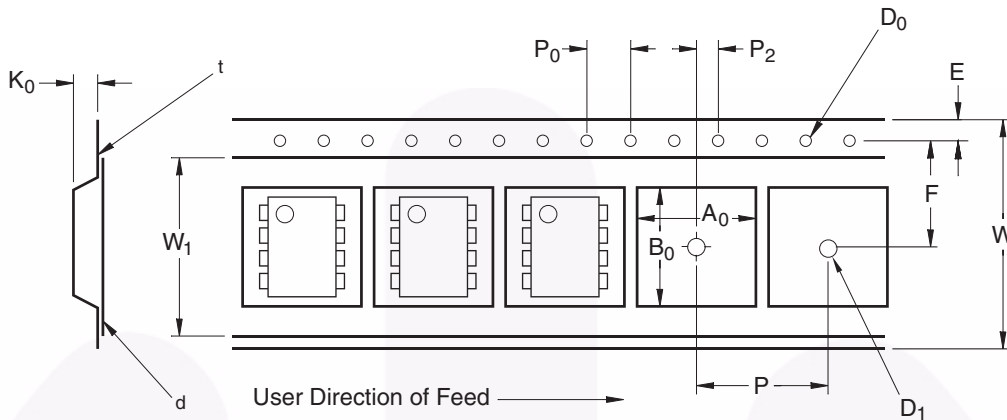
Marking Information



Definitions	
1	Fairchild logo
2	Device number
3	IEC60747-5-2 mark (Note: Only appears on parts ordered with this option – See order entry table)
4	Two digit year code, e.g., '08'
5	Two digit work week ranging from '01' to '53'
6	Assembly package code

Single-Channel: 6N135M, 6N136M, HCPL2503M, HCPL4502M, HCPL4503M
 Dual-Channel: HCPL2530M, HCPL2531M – High Speed Transistor Optocouplers

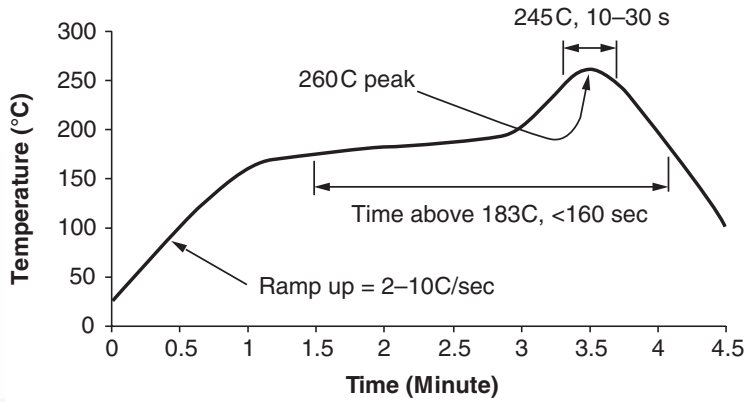
Carrier Tape Specifications



Symbol	Description	Dimension in mm
W	Tape Width	16.0 ± 0.3
t	Tape Thickness	0.30 ± 0.05
P ₀	Sprocket Hole Pitch	4.0 ± 0.1
D ₀	Sprocket Hole Diameter	1.55 ± 0.05
E	Sprocket Hole Location	1.75 ± 0.10
F	Pocket Location	7.5 ± 0.1
P ₂		2.0 ± 0.1
P	Pocket Pitch	12.0 ± 0.1
A ₀	Pocket Dimensions	10.30 ± 0.20
B ₀		10.30 ± 0.20
K ₀		4.90 ± 0.20
W ₁	Cover Tape Width	13.2 ± 0.2
d	Cover Tape Thickness	0.1 max
	Max. Component Rotation or Tilt	10°
R	Min. Bending Radius	30

Single-Channel: 6N135M, 6N136M, HCPL2503M, HCPL4502M, HCPL4503M
 Dual-Channel: HCPL2530M, HCPL2531M — High Speed Transistor Optocouplers

Reflow Profile



- Peak reflow temperature: 260C (package surface temperature)
- Time of temperature higher than 183C for 160 seconds or less
- One time soldering reflow is recommended






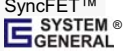
Single-Channel: 6N135M, 6N136M, HCPL2503M, HCPL4502M, HCPL4503M
 Dual-Channel: HCPL2530M, HCPL2531M — High Speed Transistor Optocouplers





TRADEMARKS

The following includes registered and unregistered trademarks and service marks, owned by Fairchild Semiconductor and/or its global subsidiaries, and is not intended to be an exhaustive list of all such trademarks.

- | | | | |
|---|---|---|---|
| Build it Now™ | F-PFS™ | PowerTrench® | The Power Franchise® |
| CorePLUS™ | FRFET® | Programmable Active Droop™ | the power franchise™ |
| CorePOWER™ | Global Power Resource™ SM | QFET™ | TinyBoost™ |
| CROSSVOLT™ | Green FPS™ | QST™ | TinyBuck™ |
| CTL™ | Green FPS™ e-Series™ | Quiet Series™ | TinyLogic® |
| Current Transfer Logic™ | GTO™ | RapidConfigure™ | TINYOPTO™ |
| EcoSPARK® | IntelliMAX™ |  ™ | TinyPower™ |
| EfficientMax™ | ISOPLANAR™ | Saving our world, 1mW/W/kW at a time™ | TinyPWM™ |
| EZSWITCH™ * | MegaBuck™ | SmartMax™ | TinyWire™ |
|  ™ | MICROCOUPLER™ | SMART START™ | μSerDes™ |
|  ™ | MicroFET™ | SPM® |  ™ |
| Fairchild® | MicroPak™ | STEALTH™ | UHC® |
| Fairchild Semiconductor® | MillerDrive™ | SuperFET™ | Ultra FRFET™ |
| FACT Quiet Series™ | MotionMax™ | SuperSOT™-3 | UniFET™ |
| FACT® | Motion-SPM™ | SuperSOT™-6 | VCX™ |
| FAST® | OPTOLOGIC® | SuperSOT™-8 | VisualMax™ |
| FastvCore™ | OPTOPLANAR® | SupreMOS™ | |
| FlashWriter® * |  ™ | SyncFET™ | |
| FPS™ | PDP √PM™ |  ™ | |
| | Power-SPM™ | | |

* EZSWITCH™ and FlashWriter® are trademarks of System General Corporation, used under license by Fairchild Semiconductor.

DISCLAIMER

FAIRCHILD SEMICONDUCTOR RESERVES THE RIGHT TO MAKE CHANGES WITHOUT FURTHER NOTICE TO ANY PRODUCTS HEREIN TO IMPROVE RELIABILITY, FUNCTION, OR DESIGN. FAIRCHILD DOES NOT ASSUME ANY LIABILITY ARISING OUT OF THE APPLICATION OR USE OF ANY PRODUCT OR CIRCUIT DESCRIBED HEREIN; NEITHER DOES IT CONVEY ANY LICENSE UNDER ITS PATENT RIGHTS, NOR THE RIGHTS OF OTHERS. THESE SPECIFICATIONS DO NOT EXPAND THE TERMS OF FAIRCHILD'S WORLDWIDE TERMS AND CONDITIONS, SPECIFICALLY THE WARRANTY THEREIN, WHICH COVERS THESE PRODUCTS.

LIFE SUPPORT POLICY

FAIRCHILD'S PRODUCTS ARE NOT AUTHORIZED FOR USE AS CRITICAL COMPONENTS IN LIFE SUPPORT DEVICES OR SYSTEMS WITHOUT THE EXPRESS WRITTEN APPROVAL OF FAIRCHILD SEMICONDUCTOR CORPORATION.

As used herein:

- Life support devices or systems are devices or systems which, (a) are intended for surgical implant into the body or (b) support or sustain life, and (c) whose failure to perform when properly used in accordance with instructions for use provided in the labeling, can be reasonably expected to result in a significant injury of the user.
- A critical component in any component of a life support, device, or system whose failure to perform can be reasonably expected to cause the failure of the life support device or system, or to affect its safety or effectiveness.

ANTI-COUNTERFEITING POLICY

Fairchild Semiconductor Corporation's Anti-Counterfeiting Policy. Fairchild's Anti-Counterfeiting Policy is also stated on our external website, www.fairchildsemi.com, under Sales Support.

Counterfeiting of semiconductor parts is a growing problem in the industry. All manufacturers of semiconductor products are experiencing counterfeiting of their parts. Customers who inadvertently purchase counterfeit parts experience many problems such as loss of brand reputation, substandard performance, failed applications, and increased cost of production and manufacturing delays. Fairchild is taking strong measures to protect ourselves and our customers from the proliferation of counterfeit parts. Fairchild strongly encourages customers to purchase Fairchild parts either directly from Fairchild or from Authorized Fairchild Distributors who are listed by country on our web page cited above. Products customers buy either from Fairchild directly or from Authorized Fairchild Distributors are genuine parts, have full traceability, meet Fairchild's quality standards for handling and storage and provide access to Fairchild's full range of up-to-date technical and product information. Fairchild and our Authorized Distributors will stand behind all warranties and will appropriately address any warranty issues that may arise. Fairchild will not provide any warranty coverage or other assistance for parts bought from Unauthorized Sources. Fairchild is committed to combat this global problem and encourage our customers to do their part in stopping this practice by buying direct or from authorized distributors.

PRODUCT STATUS DEFINITIONS

Definition of Terms

Datasheet Identification	Product Status	Definition
Advance Information	Formative / In Design	Datasheet contains the design specifications for product development. Specifications may change in any manner without notice.
Preliminary	First Production	Datasheet contains preliminary data; supplementary data will be published at a later date. Fairchild Semiconductor reserves the right to make changes at any time without notice to improve design.
No Identification Needed	Full Production	Datasheet contains final specifications. Fairchild Semiconductor reserves the right to make changes at any time without notice to improve the design.
Obsolete	Not In Production	Datasheet contains specifications on a product that is discontinued by Fairchild Semiconductor. The datasheet is for reference information only.

Rev. I36