

Metallized Polypropylene Film Capacitor

Type: **ECWF(L)**

Designed for high frequency and current applications.

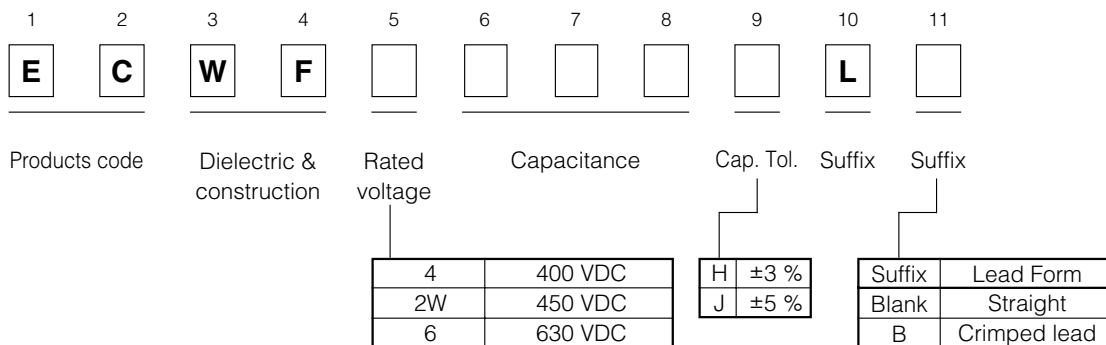
■Features

- Small size
- Excellent frequency characteristics
- Low loss
- 85 °C, 85 % RH, W.V.×1.0 for 500 hours
- RoHS directive compliant

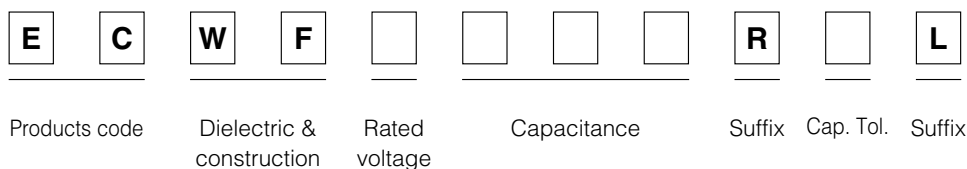
■Recommended Applications

- Lighting
- High frequency and high current circuits
(TVs, Monitors, Power Supplies, etc.)

■Explanation of Part Numbers



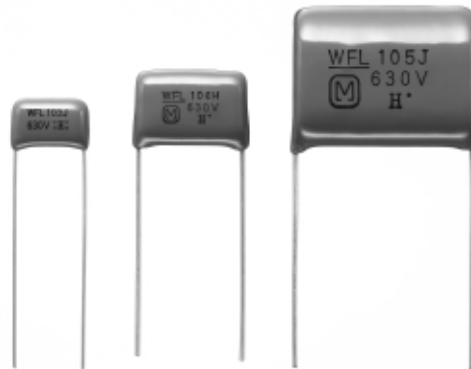
●Explanation of Part Numbers for Odd Size Taping



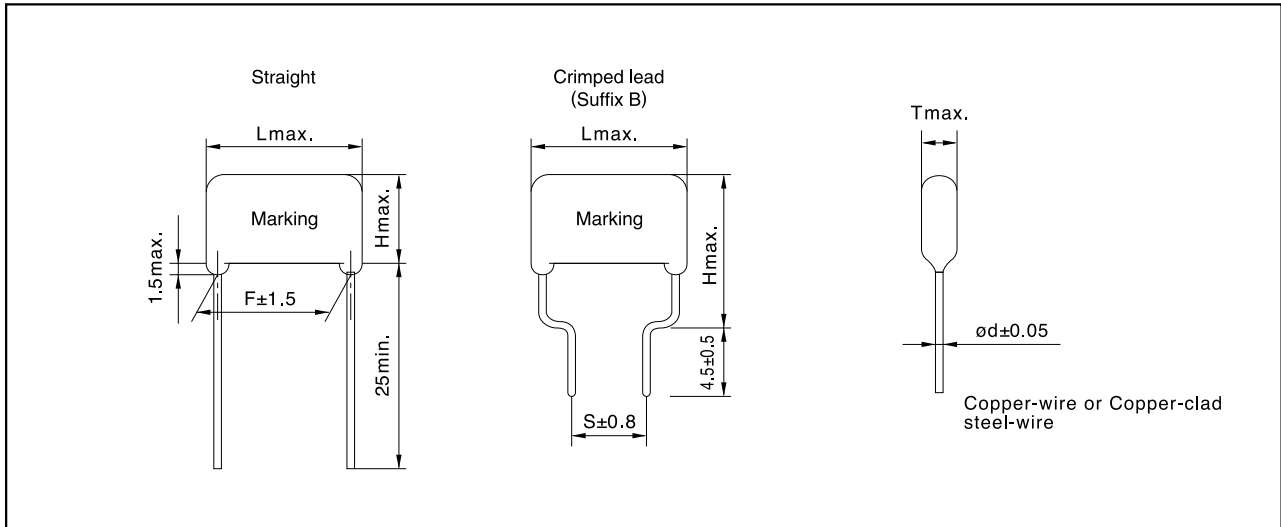
■Specifications

| | | |
|--|--|--------------------|
| Category temp. range (Including temperature-rise on unit surface) | -40 °C to +105 °C (450 VDC, 1.1 uF or more -40 °C to +85 °C) | |
| Rated voltage | 400 VDC, 450 VDC, 630 VDC | |
| Capacitance range | 400 VDC | 0.022 uF to 2.4 uF |
| | 450 VDC | 0.022 uF to 2.4 uF |
| | 630 VDC | 0.010 uF to 1.3 uF |
| Capacitance tolerance | ±3 % (H), ±5 % (J) | |
| Withstand voltage | Between terminals : Rated voltage(VDC)×150 % 60 s | |
| Dissipation factor (tan δ) | tan δ ≤ 0.05% (20 °C, 1kHz) | |
| | tan δ ≤ 0.20% (20 °C, 10kHz) | |
| Insulation resistance (IR) | C ≤ 0.33 uF : IR ≥ 9000 MΩ (20 °C, 100 VDC, 60 s for 400 VDC, 450 VDC) | |
| | C > 0.33 uF : IR ≥ 3000 MΩ · uF (20 °C, 500 VDC, 60 s for 630 VDC) | |

* In case of applying voltage in alternating current (50 Hz or 60 Hz sine wave) to a capacitor with DC rated voltage, please refer to the page of "Permissible voltage (R.M.S) in alternating current corresponding to DC rated voltage".



■Dimensions in mm (not to scale)

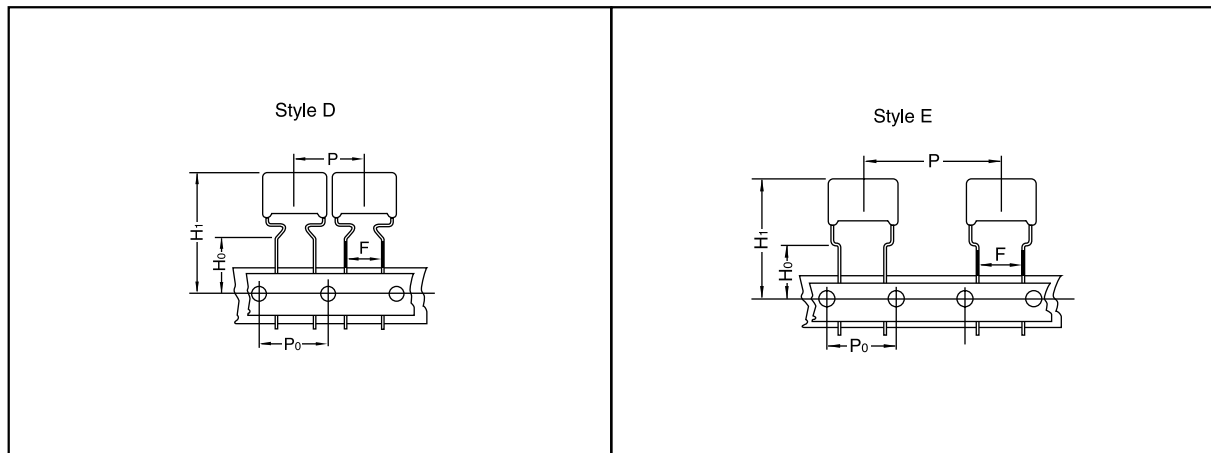


■Packaging Specification for Bulk Package

Packing quantity: 100 pcs./bag

■Taping Specifications for Automatic Insertion

●Taping style



*Refer to the page of taping specifications.

●Packaging Specifications

| Type | Rated volt. | Cap. range (μF) | Taping style | | | | | Packing | suffix |
|---------|-------------|-----------------|--------------|----|---|---|---|---------|--------|
| | | | AD | AS | B | C | D | | |
| ECWF(L) | 400 VDC | 0.022 to 0.091 | | | | | ○ | | R()L |
| | 450 VDC | 0.10 to 1.0 | | | | | ○ | | R()L |
| | 630 VDC | 0.010 to 0.043 | | | | | ○ | | R()L |
| | | 0.047 to 0.43 | | | | | ○ | | R()L |

●Lead Spacing

| Style | Lead Spacing |
|-------|--------------|
| D | 7.5 mm |
| E | 7.5 mm |

■ Rating, Dimensions & Quantity/Ammo Box

● Type ECWF(L) Rated voltage : 400 VDC

| Part No. | Cap. (μ F) | Dimensions (mm) | | | | | | | Quantity |
|---------------|--------------------|------------------|------------------|------------------|--------------|----------|--------------|----------|----------------|
| | | L _{max} | T _{max} | H _{max} | | F | | S | Ammo 7.5 mm |
| | | | | Straight | Crimped lead | Straight | Crimped lead | ϕ d | |
| ECWF4223□L() | 0.022 | 12.5 | 5.8 | 8.6 | 13.6 | 10.0 | 7.5 | 0.6 | 1100 |
| ECWF4243□L() | 0.024 | 12.5 | 6.0 | 8.8 | 13.8 | 10.0 | 7.5 | 0.6 | |
| ECWF4273□L() | 0.027 | 12.5 | 6.2 | 9.0 | 14.0 | 10.0 | 7.5 | 0.6 | 1000 |
| ECWF4303□L() | 0.030 | 12.5 | 6.4 | 9.3 | 14.3 | 10.0 | 7.5 | 0.6 | |
| ECWF4333□L() | 0.033 | 12.5 | 6.7 | 9.5 | 14.5 | 10.0 | 7.5 | 0.6 | 900 |
| ECWF4363□L() | 0.036 | 12.5 | 5.7 | 8.4 | 13.4 | 10.0 | 7.5 | 0.6 | |
| ECWF4393□L() | 0.039 | 12.5 | 5.8 | 8.6 | 13.6 | 10.0 | 7.5 | 0.6 | 1100 |
| ECWF4433□L() | 0.043 | 12.5 | 6.0 | 8.8 | 13.8 | 10.0 | 7.5 | 0.6 | |
| ECWF4473□L() | 0.047 | 12.5 | 6.2 | 9.0 | 14.0 | 10.0 | 7.5 | 0.6 | 1000 |
| ECWF4513□L() | 0.051 | 12.5 | 6.4 | 9.2 | 14.2 | 10.0 | 7.5 | 0.6 | |
| ECWF4563□L() | 0.056 | 12.5 | 6.6 | 9.4 | 14.4 | 10.0 | 7.5 | 0.6 | 900 |
| ECWF4623□L() | 0.062 | 13.0 | 6.8 | 9.6 | 14.6 | 10.0 | 7.5 | 0.8 | |
| ECWF4683□L() | 0.068 | 13.0 | 7.0 | 9.9 | 14.9 | 10.0 | 7.5 | 0.8 | 800 |
| ECWF4753□L() | 0.075 | 13.0 | 7.3 | 10.1 | 15.1 | 10.0 | 7.5 | 0.8 | |
| ECWF4823□L() | 0.082 | 13.0 | 7.5 | 10.4 | 15.4 | 10.0 | 7.5 | 0.8 | 500 |
| ECWF4913□L() | 0.091 | 13.0 | 7.8 | 10.7 | 15.7 | 10.0 | 7.5 | 0.8 | |
| ECWF4104□L() | 0.10 | 15.5 | 6.5 | 11.0 | 16.0 | 12.5 | 7.5 | 0.8 | 400 |
| ECWF4114□L() | 0.11 | 15.5 | 6.8 | 11.3 | 16.3 | 12.5 | 7.5 | 0.8 | |
| ECWF4124□L() | 0.12 | 15.5 | 7.0 | 11.5 | 16.5 | 12.5 | 7.5 | 0.8 | 300 |
| ECWF4134□L() | 0.13 | 15.5 | 7.2 | 11.8 | 16.8 | 12.5 | 7.5 | 0.8 | |
| ECWF4154□L() | 0.15 | 15.5 | 7.6 | 12.2 | 17.2 | 12.5 | 7.5 | 0.8 | 200 |
| ECWF4164□L() | 0.16 | 15.5 | 7.8 | 12.4 | 17.4 | 12.5 | 7.5 | 0.8 | |
| ECWF4184□L() | 0.18 | 15.5 | 8.2 | 12.8 | 17.8 | 12.5 | 7.5 | 0.8 | 300 |
| ECWF4204□L() | 0.20 | 15.5 | 8.6 | 13.3 | 18.3 | 12.5 | 7.5 | 0.8 | |
| ECWF4224□L() | 0.22 | 15.5 | 9.0 | 13.6 | 18.6 | 12.5 | 7.5 | 0.8 | 200 |
| ECWF4244□L() | 0.24 | 18.0 | 8.3 | 13.0 | 18.0 | 15.0 | 10.0 | 0.8 | |
| ECWF4274□L() | 0.27 | 18.0 | 8.8 | 13.4 | 18.4 | 15.0 | 10.0 | 0.8 | 200 |
| ECWF4304□L() | 0.30 | 18.0 | 9.2 | 13.9 | 18.9 | 15.0 | 10.0 | 0.8 | |
| ECWF4334□L() | 0.33 | 18.0 | 9.6 | 14.3 | 19.3 | 15.0 | 10.0 | 0.8 | 200 |
| ECWF4364□L() | 0.36 | 18.0 | 9.9 | 14.7 | 19.7 | 15.0 | 10.0 | 0.8 | |
| ECWF4394□L() | 0.39 | 18.0 | 10.3 | 15.1 | 20.1 | 15.0 | 10.0 | 0.8 | 200 |
| ECWF4434□L() | 0.43 | 18.0 | 10.7 | 15.6 | 20.6 | 15.0 | 10.0 | 0.8 | |
| ECWF4474□L() | 0.47 | 18.0 | 11.2 | 16.1 | 21.1 | 15.0 | 10.0 | 0.8 | 200 |
| ECWF4514□L() | 0.51 | 20.5 | 10.3 | 16.8 | 21.8 | 17.5 | 12.5 | 0.8 | |
| ECWF4564□L() | 0.56 | 20.5 | 10.7 | 17.3 | 22.3 | 17.5 | 12.5 | 0.8 | 200 |
| ECWF4624□L() | 0.62 | 20.5 | 11.3 | 17.9 | 22.9 | 17.5 | 12.5 | 0.8 | |
| ECWF4684□L() | 0.68 | 20.5 | 11.8 | 18.5 | 23.5 | 17.5 | 12.5 | 0.8 | 200 |
| ECWF4754□L() | 0.75 | 20.5 | 12.3 | 19.1 | 24.1 | 17.5 | 12.5 | 0.8 | |
| ECWF4824□L() | 0.82 | 23.0 | 11.8 | 18.5 | 23.5 | 20.0 | 12.5 | 0.8 | 200 |
| ECWF4914□L() | 0.91 | 23.0 | 12.4 | 19.2 | 24.2 | 20.0 | 12.5 | 0.8 | |
| ECWF4105□L() | 1.0 | 23.0 | 13.0 | 19.8 | 24.8 | 20.0 | 12.5 | 0.8 | — |
| ECWF4115□L() | 1.1 | 23.0 | 13.6 | 20.5 | 25.5 | 20.0 | 12.5 | 0.8 | |
| ECWF4125□L() | 1.2 | 28.0 | 12.3 | 19.1 | 24.1 | 25.0 | 17.5 | 0.8 | — |
| ECWF4135□L() | 1.3 | 28.0 | 12.8 | 19.6 | 24.6 | 25.0 | 17.5 | 0.8 | |
| ECWF4155□L() | 1.5 | 28.0 | 13.7 | 20.7 | 25.7 | 25.0 | 17.5 | 0.8 | — |
| ECWF4165□L() | 1.6 | 28.0 | 14.2 | 21.2 | 26.2 | 25.0 | 17.5 | 0.8 | |
| ECWF4185□L() | 1.8 | 28.0 | 15.2 | 22.2 | 27.2 | 25.0 | 17.5 | 0.8 | — |
| ECWF4205□L() | 2.0 | 28.0 | 16.0 | 23.1 | 28.1 | 25.0 | 17.5 | 0.8 | |
| ECWF4225□L() | 2.2 | 28.0 | 16.8 | 24.0 | 29.0 | 25.0 | 17.5 | 0.8 | — |
| ECWF4245□L() | 2.4 | 28.0 | 17.5 | 24.8 | 29.8 | 25.0 | 17.5 | 0.8 | |

Suffix for lead crimped
 Capacitance tolerance code

■ Rating, Dimensions & Quantity/Ammo Box

● Type ECWF(L) Rated voltage : 450 VDC

| Part No. | Cap. (μ F) | Dimensions (mm) | | | | | | | Quantity Ammo 7.5 mm | |
|----------------|--------------------|------------------|------------------|------------------|--------------|----------|--------------|-----|----------------------------|----------|
| | | L _{max} | T _{max} | H _{max} | | F | | S | | ϕ d |
| | | | | Straight | Crimped lead | Straight | Crimped lead | | | |
| ECWF2W223□L() | 0.022 | 12.5 | 5.8 | 8.6 | 13.6 | 10.0 | 7.5 | 0.6 | 1100 | |
| ECWF2W243□L() | 0.024 | 12.5 | 6.0 | 8.8 | 13.8 | 10.0 | 7.5 | 0.6 | | |
| ECWF2W273□L() | 0.027 | 12.5 | 6.2 | 9.0 | 14.0 | 10.0 | 7.5 | 0.6 | | |
| ECWF2W303□L() | 0.030 | 12.5 | 6.4 | 9.3 | 14.3 | 10.0 | 7.5 | 0.6 | 1000 | |
| ECWF2W333□L() | 0.033 | 12.5 | 6.7 | 9.5 | 14.5 | 10.0 | 7.5 | 0.6 | | |
| ECWF2W363□L() | 0.036 | 12.5 | 5.7 | 8.4 | 13.4 | 10.0 | 7.5 | 0.6 | | |
| ECWF2W393□L() | 0.039 | 12.5 | 5.8 | 8.6 | 13.6 | 10.0 | 7.5 | 0.6 | 1100 | |
| ECWF2W433□L() | 0.043 | 12.5 | 6.0 | 8.8 | 13.8 | 10.0 | 7.5 | 0.6 | | |
| ECWF2W473□L() | 0.047 | 12.5 | 6.2 | 9.0 | 14.0 | 10.0 | 7.5 | 0.6 | | |
| ECWF2W513□L() | 0.051 | 12.5 | 6.4 | 9.2 | 14.2 | 10.0 | 7.5 | 0.6 | 1000 | |
| ECWF2W563□L() | 0.056 | 12.5 | 6.6 | 9.4 | 14.4 | 10.0 | 7.5 | 0.6 | | |
| ECWF2W623□L() | 0.062 | 13.0 | 6.8 | 9.6 | 14.6 | 10.0 | 7.5 | 0.8 | | |
| ECWF2W683□L() | 0.068 | 13.0 | 7.0 | 9.9 | 14.9 | 10.0 | 7.5 | 0.8 | 900 | |
| ECWF2W753□L() | 0.075 | 13.0 | 7.3 | 10.1 | 15.1 | 10.0 | 7.5 | 0.8 | | |
| ECWF2W823□L() | 0.082 | 13.0 | 7.5 | 10.4 | 15.4 | 10.0 | 7.5 | 0.8 | | |
| ECWF2W913□L() | 0.091 | 13.0 | 7.8 | 10.7 | 15.7 | 10.0 | 7.5 | 0.8 | 800 | |
| ECWF2W104□L() | 0.10 | 15.5 | 6.5 | 11.0 | 16.0 | 12.5 | 7.5 | 0.8 | | |
| ECWF2W114□L() | 0.11 | 15.5 | 6.8 | 11.3 | 16.3 | 12.5 | 7.5 | 0.8 | | |
| ECWF2W124□L() | 0.12 | 15.5 | 7.0 | 11.5 | 16.5 | 12.5 | 7.5 | 0.8 | 400 | |
| ECWF2W134□L() | 0.13 | 15.5 | 7.2 | 11.8 | 16.8 | 12.5 | 7.5 | 0.8 | | |
| ECWF2W154□L() | 0.15 | 15.5 | 7.6 | 12.2 | 17.2 | 12.5 | 7.5 | 0.8 | | |
| ECWF2W164□L() | 0.16 | 15.5 | 7.8 | 12.4 | 17.4 | 12.5 | 7.5 | 0.8 | | |
| ECWF2W184□L() | 0.18 | 15.5 | 8.2 | 12.8 | 17.8 | 12.5 | 7.5 | 0.8 | | |
| ECWF2W204□L() | 0.20 | 15.5 | 8.6 | 13.3 | 18.3 | 12.5 | 7.5 | 0.8 | | |
| ECWF2W224□L() | 0.22 | 15.5 | 9.0 | 13.6 | 18.6 | 12.5 | 7.5 | 0.8 | | |
| ECWF2W244□L() | 0.24 | 18.0 | 8.3 | 13.0 | 18.0 | 15.0 | 10.0 | 0.8 | 300 | |
| ECWF2W274□L() | 0.27 | 18.0 | 8.8 | 13.4 | 18.4 | 15.0 | 10.0 | 0.8 | | |
| ECWF2W304□L() | 0.30 | 18.0 | 9.2 | 13.9 | 18.9 | 15.0 | 10.0 | 0.8 | | |
| ECWF2W334□L() | 0.33 | 18.0 | 9.6 | 14.3 | 19.3 | 15.0 | 10.0 | 0.8 | | |
| ECWF2W364□L() | 0.36 | 18.0 | 9.9 | 14.7 | 19.7 | 15.0 | 10.0 | 0.8 | | |
| ECWF2W394□L() | 0.39 | 18.0 | 10.3 | 15.1 | 20.1 | 15.0 | 10.0 | 0.8 | | |
| ECWF2W434□L() | 0.43 | 18.0 | 10.7 | 15.6 | 20.6 | 15.0 | 10.0 | 0.8 | | |
| ECWF2W474□L() | 0.47 | 18.0 | 11.2 | 16.1 | 21.1 | 15.0 | 10.0 | 0.8 | 200 | |
| ECWF2W514□L() | 0.51 | 20.5 | 10.3 | 16.8 | 21.8 | 17.5 | 12.5 | 0.8 | 300 | |
| ECWF2W564□L() | 0.56 | 20.5 | 10.7 | 17.3 | 22.3 | 17.5 | 12.5 | 0.8 | | |
| ECWF2W624□L() | 0.62 | 20.5 | 11.3 | 17.9 | 22.9 | 17.5 | 12.5 | 0.8 | | |
| ECWF2W684□L() | 0.68 | 20.5 | 11.8 | 18.5 | 23.5 | 17.5 | 12.5 | 0.8 | 200 | |
| ECWF2W754□L() | 0.75 | 20.5 | 12.3 | 19.1 | 24.1 | 17.5 | 12.5 | 0.8 | | |
| ECWF2W824□L() | 0.82 | 23.0 | 11.8 | 18.5 | 23.5 | 20.0 | 12.5 | 0.8 | | |
| ECWF2W914□L() | 0.91 | 23.0 | 12.4 | 19.2 | 24.2 | 20.0 | 12.5 | 0.8 | | |
| ECWF2W105□L() | 1.0 | 23.0 | 13.0 | 19.8 | 24.8 | 20.0 | 12.5 | 0.8 | | |
| ECWF2W115□L() | 1.1 | 23.0 | 13.6 | 20.5 | 25.5 | 20.0 | 12.5 | 0.8 | — | |
| ECWF2W125□L() | 1.2 | 28.0 | 12.3 | 19.1 | 24.1 | 25.0 | 17.5 | 0.8 | | |
| ECWF2W135□L() | 1.3 | 28.0 | 12.8 | 19.6 | 24.6 | 25.0 | 17.5 | 0.8 | | |
| ECWF2W155□L() | 1.5 | 28.0 | 13.7 | 20.7 | 25.7 | 25.0 | 17.5 | 0.8 | | |
| ECWF2W165□L() | 1.6 | 28.0 | 14.2 | 21.2 | 26.2 | 25.0 | 17.5 | 0.8 | | |
| ECWF2W185□L() | 1.8 | 28.0 | 15.2 | 22.2 | 27.2 | 25.0 | 17.5 | 0.8 | | |
| ECWF2W205□L() | 2.0 | 28.0 | 16.0 | 23.1 | 28.1 | 25.0 | 17.5 | 0.8 | | |
| ECWF2W225□L() | 2.2 | 28.0 | 16.8 | 24.0 | 29.0 | 25.0 | 17.5 | 0.8 | | |
| ECWF2W245□L() | 2.4 | 28.0 | 17.5 | 24.8 | 29.8 | 25.0 | 17.5 | 0.8 | | |

Suffix for lead crimped
 Capacitance tolerance code

■ Rating, Dimensions & Quantity/Ammo Box

● Type ECWF(L) Rated voltage : 630 VDC

| Part No. | Cap. (μ F) | Dimensions (mm) | | | | | | | Quantity |
|---------------|--------------------|------------------|------------------|------------------|--------------|----------|--------------|----------|----------------|
| | | L _{max} | T _{max} | H _{max} | | F | | S | Ammo 7.5 mm |
| | | | | Straight | Crimped lead | Straight | Crimped lead | ϕ d | |
| ECWF6103□L() | 0.010 | 12.5 | 5.2 | 8.0 | 13.0 | 10.0 | 7.5 | 0.6 | 1200 |
| ECWF6113□L() | 0.011 | 12.5 | 5.4 | 8.2 | 13.2 | 10.0 | 7.5 | 0.6 | |
| ECWF6123□L() | 0.012 | 12.5 | 5.5 | 8.3 | 13.3 | 10.0 | 7.5 | 0.6 | |
| ECWF6133□L() | 0.013 | 12.5 | 5.6 | 8.5 | 13.5 | 10.0 | 7.5 | 0.6 | 1100 |
| ECWF6153□L() | 0.015 | 12.5 | 5.9 | 8.7 | 13.7 | 10.0 | 7.5 | 0.6 | |
| ECWF6163□L() | 0.016 | 12.5 | 6.0 | 8.9 | 13.9 | 10.0 | 7.5 | 0.6 | |
| ECWF6183□L() | 0.018 | 12.5 | 6.2 | 9.1 | 14.1 | 10.0 | 7.5 | 0.6 | 1000 |
| ECWF6203□L() | 0.020 | 12.5 | 6.5 | 9.3 | 14.3 | 10.0 | 7.5 | 0.6 | |
| ECWF6223□L() | 0.022 | 12.5 | 6.2 | 9.0 | 14.0 | 10.0 | 7.5 | 0.6 | |
| ECWF6243□L() | 0.024 | 12.5 | 6.4 | 9.2 | 14.2 | 10.0 | 7.5 | 0.6 | 900 |
| ECWF6273□L() | 0.027 | 13.0 | 6.6 | 9.5 | 14.5 | 10.0 | 7.5 | 0.8 | |
| ECWF6303□L() | 0.030 | 13.0 | 6.9 | 9.7 | 14.7 | 10.0 | 7.5 | 0.8 | |
| ECWF6333□L() | 0.033 | 13.0 | 7.1 | 10.0 | 15.0 | 10.0 | 7.5 | 0.8 | 800 |
| ECWF6363□L() | 0.036 | 13.0 | 7.3 | 10.2 | 15.2 | 10.0 | 7.5 | 0.8 | |
| ECWF6393□L() | 0.039 | 13.0 | 7.6 | 10.4 | 15.4 | 10.0 | 7.5 | 0.8 | |
| ECWF6433□L() | 0.043 | 13.0 | 7.9 | 10.7 | 15.7 | 10.0 | 7.5 | 0.8 | 500 |
| ECWF6473□L() | 0.047 | 15.5 | 6.4 | 10.8 | 15.8 | 12.5 | 7.5 | 0.8 | |
| ECWF6513□L() | 0.051 | 15.5 | 6.6 | 11.0 | 16.0 | 12.5 | 7.5 | 0.8 | |
| ECWF6563□L() | 0.056 | 15.5 | 6.8 | 11.2 | 16.2 | 12.5 | 7.5 | 0.8 | 400 |
| ECWF6623□L() | 0.062 | 15.5 | 7.1 | 11.5 | 16.5 | 12.5 | 7.5 | 0.8 | |
| ECWF6683□L() | 0.068 | 15.5 | 7.4 | 11.8 | 16.8 | 12.5 | 7.5 | 0.8 | |
| ECWF6753□L() | 0.075 | 15.5 | 7.7 | 12.1 | 17.1 | 12.5 | 7.5 | 0.8 | 300 |
| ECWF6823□L() | 0.082 | 15.5 | 8.0 | 12.4 | 17.4 | 12.5 | 7.5 | 0.8 | |
| ECWF6913□L() | 0.091 | 15.5 | 8.3 | 12.7 | 17.7 | 12.5 | 7.5 | 0.8 | |
| ECWF6104□L() | 0.10 | 18.0 | 7.7 | 12.1 | 17.1 | 15.0 | 10.0 | 0.8 | 200 |
| ECWF6114□L() | 0.11 | 18.0 | 8.0 | 12.4 | 17.4 | 15.0 | 10.0 | 0.8 | |
| ECWF6124□L() | 0.12 | 18.0 | 8.3 | 12.7 | 17.7 | 15.0 | 10.0 | 0.8 | |
| ECWF6134□L() | 0.13 | 18.0 | 8.5 | 13.0 | 18.0 | 15.0 | 10.0 | 0.8 | 300 |
| ECWF6154□L() | 0.15 | 18.0 | 9.1 | 13.5 | 18.5 | 15.0 | 10.0 | 0.8 | |
| ECWF6164□L() | 0.16 | 18.0 | 9.3 | 13.8 | 18.8 | 15.0 | 10.0 | 0.8 | |
| ECWF6184□L() | 0.18 | 18.0 | 9.8 | 14.2 | 19.1 | 15.0 | 10.0 | 0.8 | 200 |
| ECWF6204□L() | 0.20 | 18.0 | 10.3 | 14.7 | 19.7 | 15.0 | 10.0 | 0.8 | |
| ECWF6224□L() | 0.22 | 18.0 | 10.8 | 15.5 | 20.5 | 15.0 | 10.0 | 0.8 | |
| ECWF6244□L() | 0.24 | 18.0 | 11.2 | 15.9 | 20.9 | 15.0 | 10.0 | 0.8 | 300 |
| ECWF6274□L() | 0.27 | 20.5 | 10.4 | 16.7 | 21.7 | 17.5 | 12.5 | 0.8 | |
| ECWF6304□L() | 0.30 | 20.5 | 10.9 | 17.2 | 22.2 | 17.5 | 12.5 | 0.8 | |
| ECWF6334□L() | 0.33 | 20.5 | 11.4 | 17.7 | 22.7 | 17.5 | 12.5 | 0.8 | 200 |
| ECWF6364□L() | 0.36 | 20.5 | 11.9 | 18.5 | 23.5 | 17.5 | 12.5 | 0.8 | |
| ECWF6394□L() | 0.39 | 20.5 | 12.4 | 19.0 | 24.0 | 17.5 | 12.5 | 0.8 | |
| ECWF6434□L() | 0.43 | 20.5 | 13.0 | 19.5 | 24.5 | 17.5 | 12.5 | 0.8 | — |
| ECWF6474□L() | 0.47 | 20.5 | 13.5 | 20.1 | 25.1 | 17.5 | 12.5 | 0.8 | |
| ECWF6514□L() | 0.51 | 28.0 | 11.1 | 17.3 | 22.3 | 25.0 | 17.5 | 0.8 | |
| ECWF6564□L() | 0.56 | 28.0 | 11.6 | 17.8 | 22.8 | 25.0 | 17.5 | 0.8 | — |
| ECWF6624□L() | 0.62 | 28.0 | 12.1 | 18.7 | 23.7 | 25.0 | 17.5 | 0.8 | |
| ECWF6684□L() | 0.68 | 28.0 | 12.7 | 19.3 | 24.3 | 25.0 | 17.5 | 0.8 | |
| ECWF6754□L() | 0.75 | 28.0 | 13.3 | 19.9 | 24.9 | 25.0 | 17.5 | 0.8 | — |
| ECWF6824□L() | 0.82 | 28.0 | 13.9 | 20.5 | 25.5 | 25.0 | 17.5 | 0.8 | |
| ECWF6914□L() | 0.91 | 28.0 | 14.6 | 21.2 | 26.2 | 25.0 | 17.5 | 0.8 | |
| ECWF6105□L() | 1.0 | 28.0 | 15.5 | 22.3 | 27.3 | 25.0 | 17.5 | 0.8 | — |
| ECWF6115□L() | 1.1 | 28.0 | 16.3 | 23.0 | 28.0 | 25.0 | 17.5 | 0.8 | |
| ECWF6125□L() | 1.2 | 28.0 | 17.0 | 23.7 | 28.7 | 25.0 | 17.5 | 0.8 | |
| ECWF6135□L() | 1.3 | 28.0 | 17.6 | 24.4 | 29.4 | 25.0 | 17.5 | 0.8 | |

Suffix for lead crimped
 Capacitance tolerance code