

STRUCTURE Silicon Monolithic Integrated Circuit

PRODUCT SERIES Voltage Detector IC with Adjustable Output Delay

TYPE **BD53XXFVE Series**

FEATURE •Detection voltage lineup :2.3~6.0V
 •High precision detection voltage : ±1.0%

○ABSOLUTE MAXIMUM RATINGS (Ta=25°C)

Parameter	Symbol	Limit	Unit
Supply Voltage ※1	VDD—GND	-0.3 to +10	V
Output Voltage ※1	VOUT	GND-0.3 to VDD+0.3	V
Input Voltage of CT	VCT	GND-0.3 to VDD+0.3	V
Power Dissipation ※2	Pd	210	mW
Operating Temperature ※1	Topr	-40 to +105	°C
Storage Temperature Range	Tstg	-55 to +125	°C
Junction Temperature	Tjmax	125	°C

※1 Do not exceed Pd.

※2 Mounted on 70mm × 70mm × 1.6mm Glass Epoxy PCB, Pd derated at 2.1mW/°C for temperature above Ta=25°C

NOTE : The product described in this specification is a strategic product (and/or service) subject to COCOM regulations.

It should not be exported without authorization from the appropriate government.

NOTE : This product is not designed for protection against radioactive rays.

Status of this document

The Japanese version of this document is the formal specification.

A customer may use this translation version only for a reference to help reading the formal version.

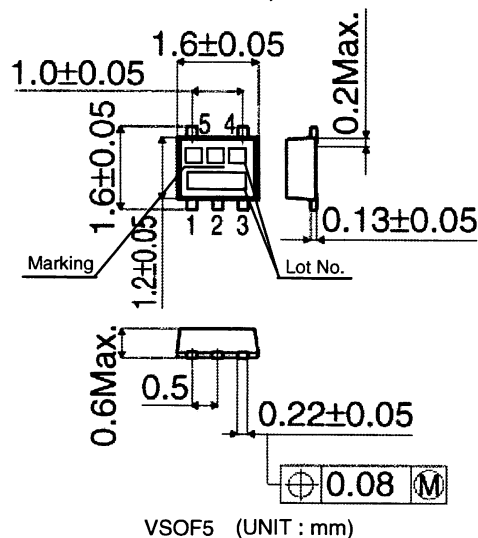
If there are any differences in translation version of this document, formal version takes priority.

OELECTRICAL CHARACTERISTICS (Unless Otherwise Specified Ta=-40 to 105°C)

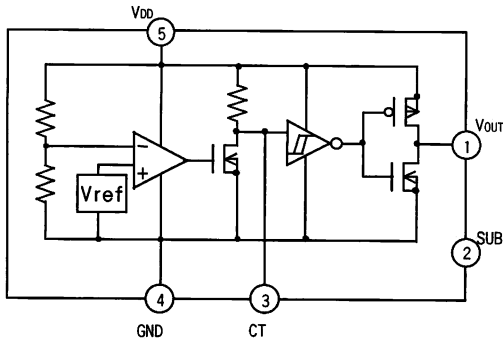
Parameter	Symbol	Condition	Limit			Unit
			Min.	Typ.	Max.	
Detection Voltage	VDET	VDD=H→L ※3	VDET(T) × 0.99	VDET(T)	VDET(T) × 1.01	V
Circuit Current when ON	IDD1	VDD=VDET-0.2V, VDET=2.3-3.1V	-	0.80	2.40	μA
		VDET=3.2-4.2V	-	0.85	2.55	
		VDET=4.3-5.2V	-	0.90	2.70	
		VDET=5.3-6.0V	-	0.95	2.85	
Circuit Current when OFF	IDD2	VDD=VDET+2.0V, VDET=2.3-3.1V	-	0.75	2.25	μA
		VDET=3.2-4.2V	-	0.80	2.40	
		VDET=4.3-5.2V	-	0.85	2.55	
		VDET=5.3-6.0V	-	0.90	2.70	
Operating Voltage Range	VOPL	VOL ≤ 0.4V, Ta=-25~-105°C	0.95	-	-	V
		VOL ≤ 0.4V, Ta=-40~-25°C	1.20	-	-	
'Low' Output Current (Nch)	IOL	VDS=0.5V VDD=1.2V	0.4	1.2	-	mA
		VDS=0.5V VDD=2.4V	2.0	5.0	-	
'High' Output Current (Pch)	IOH	VDS=0.5V VDD=8.0V	1.1	2.2	-	mA
CT pin Threshold Voltage	VCTH	VDD=VDET × 1.1, VDET=2.3-2.6V	VDD × 0.30	VDD × 0.40	VDD × 0.60	V
		VDD=VDET × 1.1, VDET=2.7-4.2V	VDD × 0.30	VDD × 0.45	VDD × 0.60	
		VDD=VDET × 1.1, VDET=4.3-5.2V	VDD × 0.35	VDD × 0.50	VDD × 0.60	
		VDD=VDET × 1.1, VDET=5.3-6.0V	VDD × 0.40	VDD × 0.50	VDD × 0.60	
Output Delay Resistance	RCT	VDD=VDET × 1.1 VCT=0.5V ※3	5.5	9	12.5	MΩ
CT pin Output Current	ICT	VCT=0.1V VDD=0.95V ※3	15	40	-	μA
		VCT=0.5V VDD=1.5V	150	240	-	
Detection Voltage Temperature coefficient	VDET/ΔT	Ta=-40°C to 105°C	-	±100	±360	ppm/°C
Hysteresis Voltage	ΔVDET	VDD=L→H→L	VDET × 0.03	VDET × 0.05	VDET × 0.08	V

VDET(T) : Standard Detection Voltage (2.3V to 6.0V, 0.1V step)
 Designed Guarantee. (Outgoing inspection is not done on all products.)
 ※3 Guarantee is Ta=25°C.

OPHYSICALDIMENSIONS, MARKING



○ BLOCK DIAGRAM



OPIN NO. , PIN NAME

Pin Number	Pin Name
1	V _{OUT}
2	SUB
3	CT
4	GND
5	V _{DD}

NOTE: Substrate Pin should be connected with GND.

※ Please refer to Technical note concerning application circuit, and etc.

○ STANDARD DETECTION VOLTAGE AND MARKING

BD53XXFVE Series

Type	Standard Detection Voltage [V]	Marking	Type	Standard Detection Voltage [V]	Marking
BD5360	6.000	RW	BD5341	4.100	RB
BD5359	5.900	RV	BD5340	4.000	RA
BD5358	5.800	RU	BD5339	3.900	QV
BD5357	5.700	RT	BD5338	3.800	QU
BD5356	5.600	RS	BD5337	3.700	QT
BD5355	5.500	RR	BD5336	3.600	QS
BD5354	5.400	RQ	BD5335	3.500	QR
BD5353	5.300	RP	BD5334	3.400	QQ
BD5352	5.200	RN	BD5333	3.300	QP
BD5351	5.100	RM	BD5332	3.200	QN
BD5350	5.000	RL	BD5331	3.100	QM
BD5349	4.900	RK	BD5330	3.000	QL
BD5348	4.800	RJ	BD5329	2.900	QK
BD5347	4.700	RH	BD5328	2.800	QJ
BD5346	4.600	RG	BD5327	2.700	QH
BD5345	4.500	RF	BD5326	2.600	QG
BD5344	4.400	RE	BD5325	2.500	QF
BD5343	4.300	RD	BD5324	2.400	QE
BD5342	4.200	RC	BD5323	2.300	QD

ONOTES FOR USE

1 . Absolute maximum range

Absolute Maximum Ratings are those values beyond which the life of a device may be destroyed. We cannot be defined the failure mode, such as short mode or open mode. Therefore a physical security countermeasure, like fuse, is to be given when a specific mode to be beyond absolute maximum ratings is considered.

2 . GND potential

GND terminal should be a lowest voltage potential every state.

Please make sure all pins which are over ground even if include transient feature.

3 . Electrical Characteristics

Be sure to check the electrical characteristics, that is one the tentative specification will be changed by temperature, supply voltage, and external circuit.

4 . Bypass Capacitor for Noise Rejection

Please put into the to reject noise between VDD pin and GND. If extremely big capacitor is used, transient response might be late. Please confirm sufficiently for the point.

5 . Short Circuit between Terminal and Soldering

Don't short-circuit between Output pin and VDD pin, Output pin and GND pin, or VDD pin and GND pin. When soldering the IC on circuit board, please be unusually cautious about the orientation and the position of the IC. When the orientation is mistaken the IC may be destroyed.

6 . Electromagnetic Field

Mal-function may happen when the device is used in the strong electromagnetic field.

7 . The VDD line impedance might cause oscillation because of the detection current.

8 . A VDD -GND capacitor (as close connection as possible) should be used in high VDD line impedance condition.

9 . BD53XXFVE has extremely high impedance terminals. Small leak current due to the uncleanness of PCB surface might cause unexpected operations. Application values in these conditions should be selected carefully. If $10M\Omega$ leakage is assumed between the CT terminal and the GND terminal, $1M\Omega$ connection between the CT terminal and the VDD terminal would be recommended. Also, if the leakage is assumed between the VOUT terminal and the GND terminal, the pull up resistor should be less than 1/10 of the assumed leak resistance.

The value of R_{CT} depends on the external resistor that is connected to CT terminal, so please consider the delay time that is decided by $\tau \times R_{CT} \times C_{CT}$ changes.

10. External parameters

The recommended parameter range for C_T is $10pF \sim 0.1 \mu F$. When attempting to operate beyond these parameters, be sure to verify the actual operation before continuing use.

11. CT pin discharge

Due to the capabilities of the CT pin discharge transistor, the CT pin may not completely discharge when a short input pulse is applied, and in this case the delay time may not be controlled. Please verify the actual operation.

12. Power on reset operation

Please note that the power on reset output varies with the Vcc rise up time.

Please verify the actual operation.

Notes

- No technical content pages of this document may be reproduced in any form or transmitted by any means without prior permission of ROHM CO.,LTD.
- The contents described herein are subject to change without notice. The specifications for the product described in this document are for reference only. Upon actual use, therefore, please request that specifications to be separately delivered.
- Application circuit diagrams and circuit constants contained herein are shown as examples of standard use and operation. Please pay careful attention to the peripheral conditions when designing circuits and deciding upon circuit constants in the set.
- Any data, including, but not limited to application circuit diagrams information, described herein are intended only as illustrations of such devices and not as the specifications for such devices. ROHM CO.,LTD. disclaims any warranty that any use of such devices shall be free from infringement of any third party's intellectual property rights or other proprietary rights, and further, assumes no liability of whatsoever nature in the event of any such infringement, or arising from or connected with or related to the use of such devices.
- Upon the sale of any such devices, other than for buyer's right to use such devices itself, resell or otherwise dispose of the same, no express or implied right or license to practice or commercially exploit any intellectual property rights or other proprietary rights owned or controlled by
- ROHM CO., LTD. is granted to any such buyer.
- Products listed in this document are no antiradiation design.

The products listed in this document are designed to be used with ordinary electronic equipment or devices (such as audio visual equipment, office-automation equipment, communications devices, electrical appliances and electronic toys).

Should you intend to use these products with equipment or devices which require an extremely high level of reliability and the malfunction of which would directly endanger human life (such as medical instruments, transportation equipment, aerospace machinery, nuclear-reactor controllers, fuel controllers and other safety devices), please be sure to consult with our sales representative in advance.

About Export Control Order in Japan

Products described herein are the objects of controlled goods in Annex 1 (Item 16) of Export Trade Control Order in Japan.

In case of export from Japan, please confirm if it applies to "objective" criteria or an "informed" (by MITI clause) on the basis of "catch all controls for Non-Proliferation of Weapons of Mass Destruction.

Thank you for your accessing to ROHM product informations.
More detail product informations and catalogs are available,
please contact your nearest sales office.

Please contact our sales offices for details ;

U.S.A / San Diego	TEL : +1(858)625-3630	FAX : +1(858)625-3670
Atlanta	TEL : +1(770)754-5972	FAX : +1(770)754-0691
Dallas	TEL : +1(972)312-8818	FAX : +1(972)312-0330
Germany / Dusseldorf	TEL : +49(2154)9210	FAX : +49(2154)921400
United Kingdom / London	TEL : +44(1)908-282-666	FAX : +44(1)908-282-528
France / Paris	TEL : +33(0)1 56 97 30 60	FAX : +33(0) 1 56 97 30 80
China / Hong Kong	TEL : +852(2)740-6262	FAX : +852(2)375-8971
Shanghai	TEL : +86(21)6279-2727	FAX : +86(21)6247-2066
Dilian	TEL : +86(411)8230-8549	FAX : +86(411)8230-8537
Beijing	TEL : +86(10)8525-2483	FAX : +86(10)8525-2489
Taiwan / Taipei	TEL : +866(2)2500-6956	FAX : +866(2)2503-2869
Korea / Seoul	TEL : +82(2)8182-700	FAX : +82(2)8182-715
Singapore	TEL : +65-6332-2322	FAX : +65-6332-5662
Malaysia / Kuala Lumpur	TEL : +60(3)7958-8355	FAX : +60(3)7958-8377
Philippines / Manila	TEL : +63(2)807-6872	FAX : +63(2)809-1422
Thailand / Bangkok	TEL : +66(2)254-4890	FAX : +66(2)256-6334

Japan /
(Internal Sales)

Tokyo	2-1-1, Yaesu, Chuo-ku, Tokyo 104-0082	TEL : +81(3)5203-0321	FAX : +81(3)5203-0300
Yokohama	2-4-8, Shin Yokohama, Kohoku-ku, Yokohama, Kanagawa 222-8575	TEL : +81(45)476-2131	FAX : +81(45)476-2128
Nagoya	Dainagayo Building 9F 3-28-12, Meieki, Nakamura-ku, Nagoya, Aichi 450-0002	TEL : +81(52)581-8521	FAX : +81(52)561-2173
Kyoto	579-32 Higashi Shiokouji-cho, Karasuma Nishi-iru, Shiokoujidori, Shimogyo-ku, Kyoto 600-8216	TEL : +81(75)311-2121	FAX : +81(75)314-6559

(Contact address for overseas customers in Japan)

Yokohama	TEL : +81(45)476-9270	FAX : +81(045)476-9271
----------	-----------------------	------------------------