

PART NAME

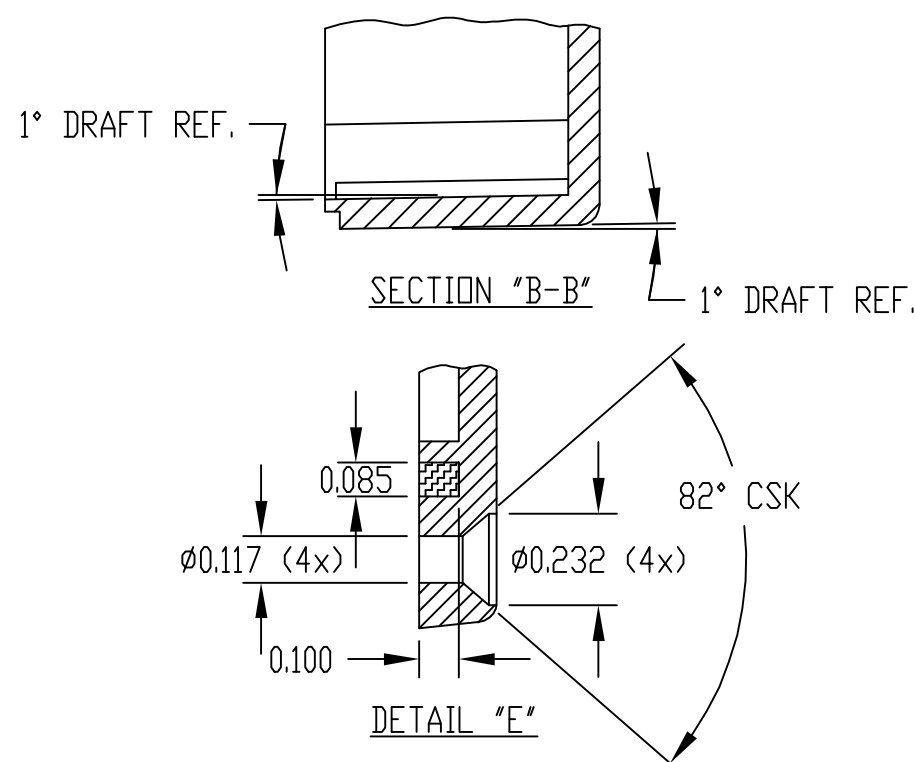
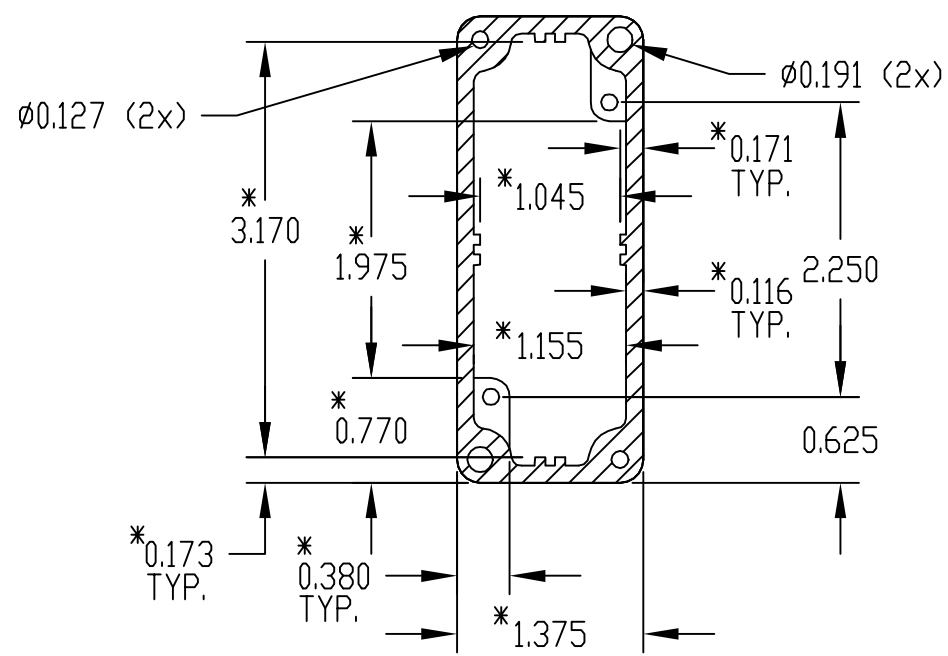
NEMA 4 DIE CAST ALUMINUM ENCLOSURE

PART No.

AN-1300, AN-1300-G, AN-2800 & AN-2800-B

REV. DATE

12-6-07

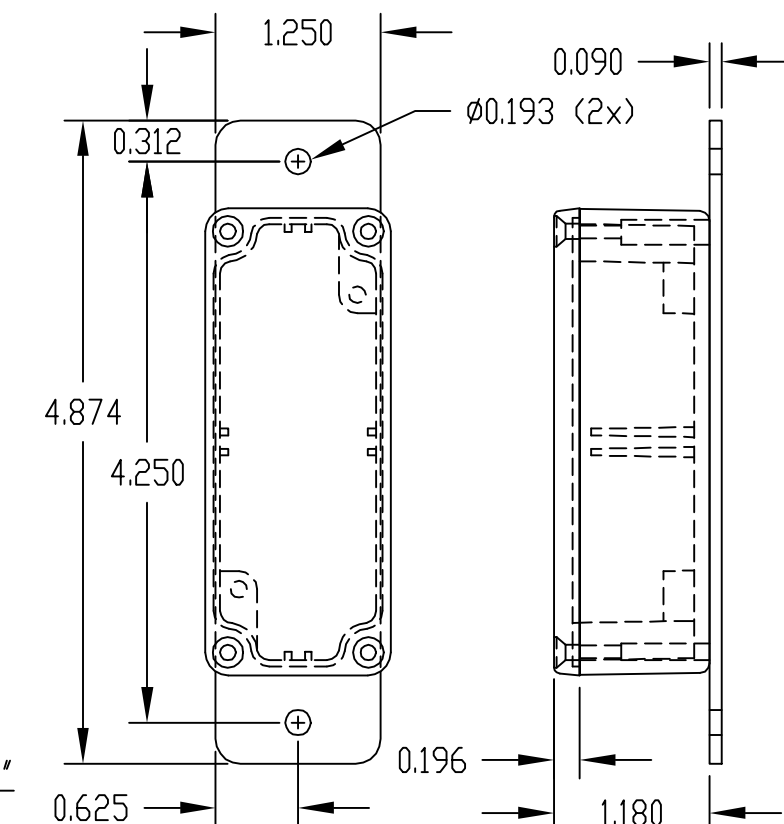
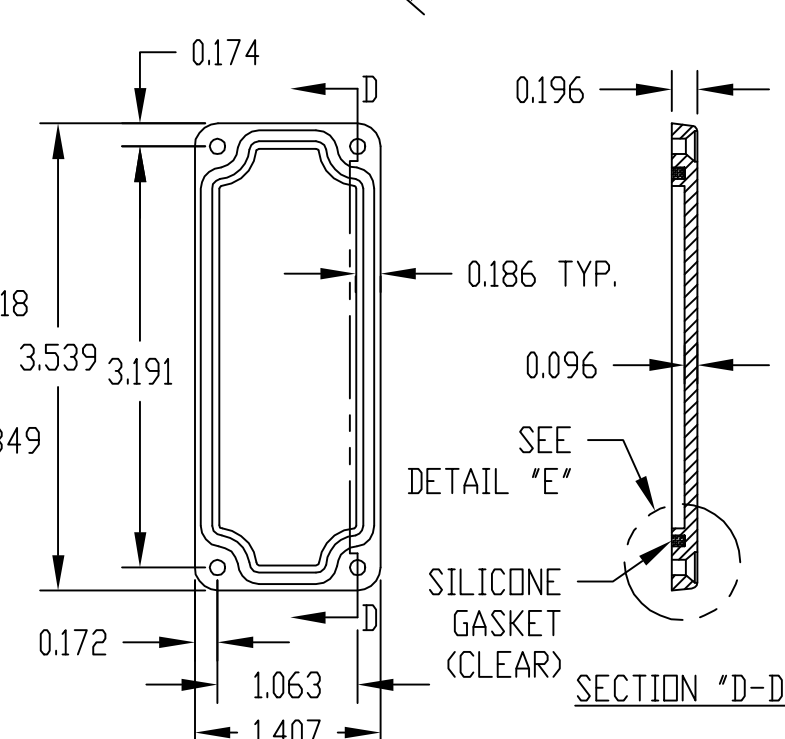
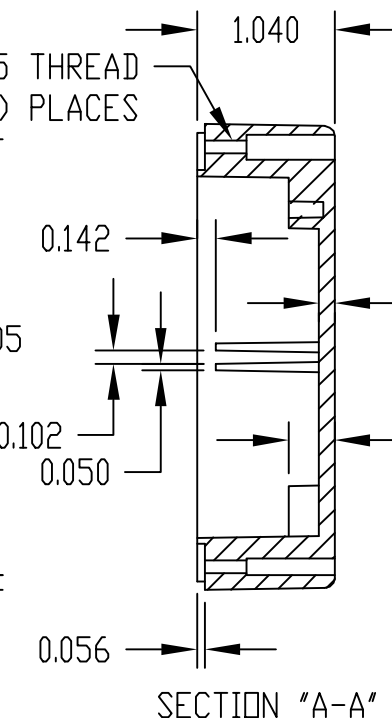
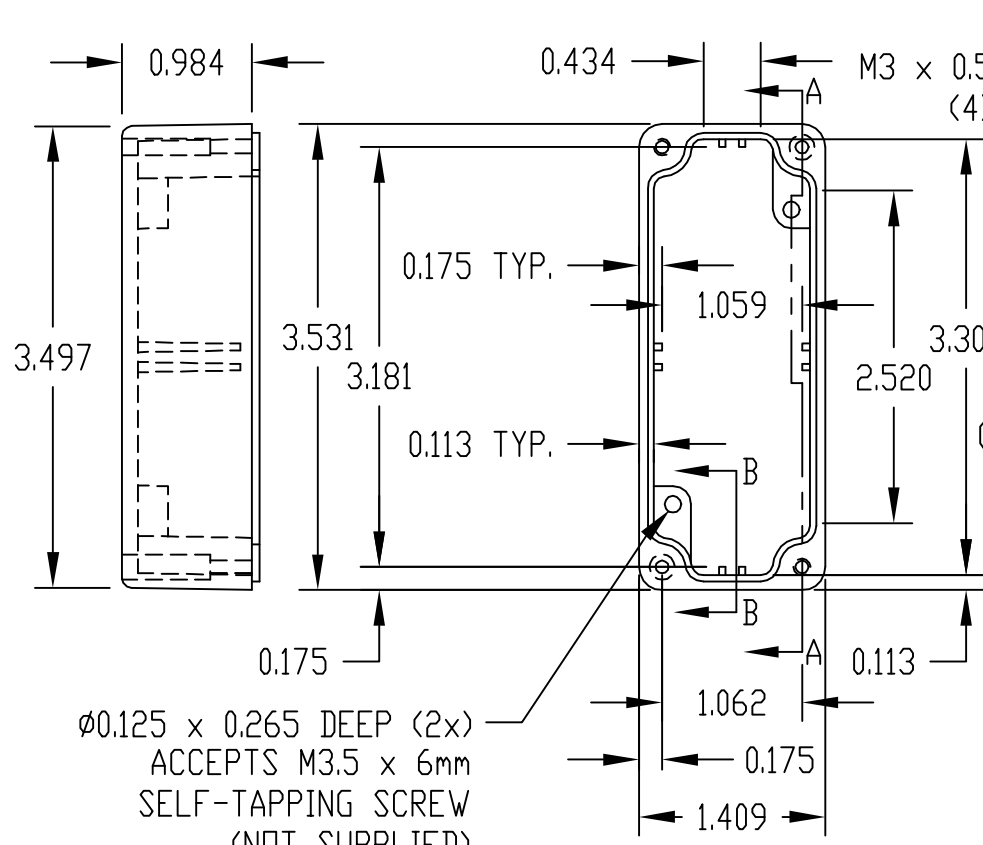


MATERIAL: ALUMINUM ALLOY #ADC-12

FINISH: NATURAL (NO SUFFIX)
GRAY (SUFFIX -G)
SMOOTH BLACK (SUFFIX -B)

NOTES:

- 1) FOUR (4) M3 x 10mm (0.393") LG. SCREWS SUPPLIED FOR ASSEMBLY OF COVER TO BODY.
- 2) ALL HOLE DIAMETERS HAVE ± 0.005 TOLERANCE
ALL OTHER DIMENSIONS HAVE ± 0.015 TOLERANCE



COVER

BODY

PART NO. AN-2800 & AN-2800-B ARE SUPPLIED WITH A WELDED ON MOUNTING BRACKET ONLY.