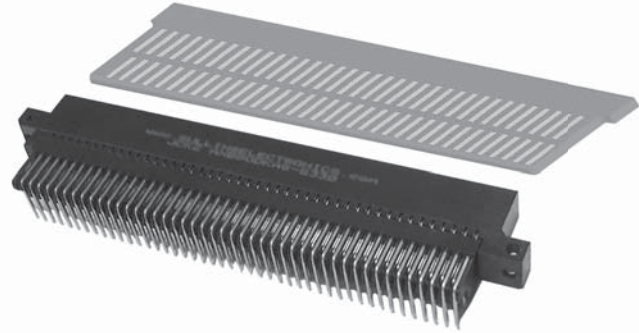


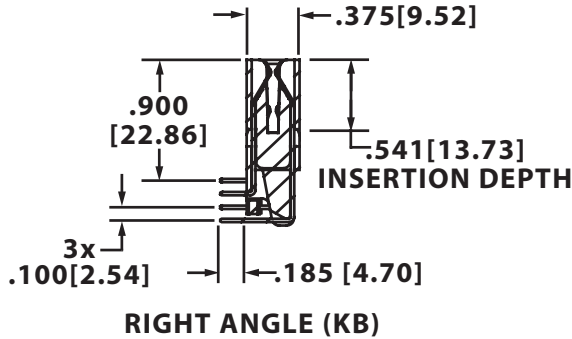


SPECIFICATIONS

- .078" Contact Center Spacing can replace .156" CC parts to double the number of contacts within the same area
- Backwards Compatible with Daughter Card Side
- Accommodates .062" ± .008" [1.57 ± .20] PC board
- Contact Material: Beryllium Copper or Phosphor Bronze
- Body Material: PPS/PA9T
- UL Flammability: 94V-0
- 3 amp current rating per contact
- 75 grams minimum contact normal force
- Voltage Rating: 125 VDC Minimum at sea level
- Consult Factory for PC board layouts/technical drawings



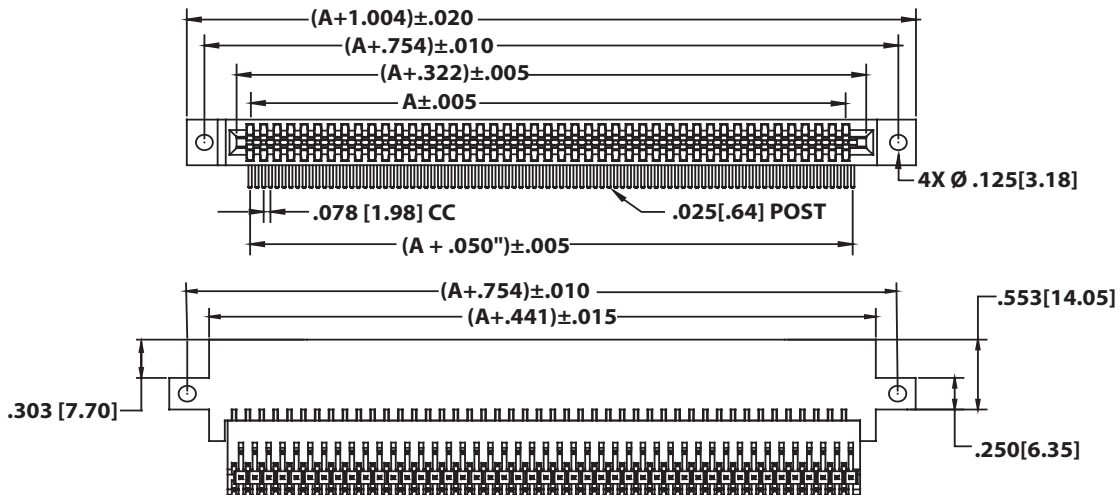
TERMINATION TYPE



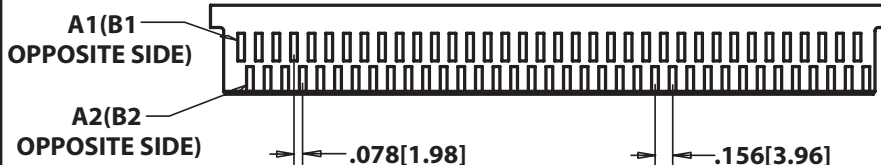
- HIGH DENSITY**
- HIGH TEMPERATURE**
- HIGH CYCLE**
- HIGH RELIABILITY**

DIMENSIONS

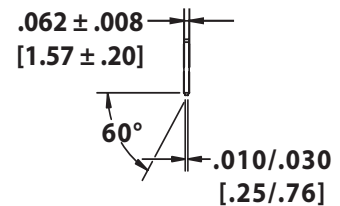
Dimensions in [] are in millimeters, all others are in inches.



DAUGHTER CARD LAYOUT



DAUGHTER CARD SIDE VIEW





PART NUMBER CODING

A C K 10 D KB S - Sxxx

MATERIALS (INSULATOR/CONTACT)

- G = PA9T/Phosphor Bronze
Operating Temperature: 125°C
- R = PPS and PA9T/Phosphor Bronze
Operating Temperature: 125°C
- J = PA9T/Beryllium Copper
Operating Temperature: 150°C
- A = PPS and PA9T/Beryllium Copper
Operating Temperature: 150°C

CONTACT FINISH - RoHS Compliant

All platings are Lead Free and have .000050" Nickel underplate
Contact Surface Termination

- B = .000010" Gold .000100" Pure Tin, Matte
- C = .000030" Gold .000100" Pure Tin, Matte
- Y = .000030" Gold .000005" Gold

CONTACT CENTERS

- K = .078" [1.98mm]

OMIT FOR STANDARD
S - S1075 = Staggered Ears with Side Mounting Holes
A - S1076 = Staggered Ears with #4-40 Threaded Inserts

POSITIONS	Dimension A (See Opposite Page)		
	No. of Contacts	Inches	[MM]
06	12	0.780	19.81
08	16	1.092	27.74
10	20	1.404	35.66
12	24	1.716	43.59
14	28	2.028	51.51
16	32	2.340	59.44
18	36	2.652	67.36
20	40	2.964	75.29
22	44	3.276	83.21
24	48	3.588	91.14
26	52	3.900	99.06
28	56	4.212	106.98
30	60	4.524	114.91
32	64	4.836	122.83
34	68	5.148	130.76
36	72	5.460	138.68
38	76	5.772	146.61
40	80	6.084	154.53
42	84	6.396	162.46
44	88	6.708	170.38
46	92	7.020	178.31
48	96	7.332	186.23
50	100	7.644	194.16
52	104	7.956	202.08
54	108	8.268	210.01
56	112	8.580	217.93
58	116	8.892	225.86
60	120	9.204	233.78
62	124	9.516	241.71
64	128	9.828	249.63
66	132	10.140	257.56
68	136	10.452	265.48
70	140	10.764	273.41
72	144	11.076	281.33

MOUNTING STYLE		
H	MOUNTING HOLES	
S	SIDE MOUNTING HOLES	
I	#4-40 THREADED INSERTS	
A	#4-40 THREADED INSERTS IN SIDE HOLES	
Z	FLUSH EARS WITH SIDE MOUNTING HOLES	
D	FLUSH EARS WITH Ø.125 HOLES	
T	FLUSH EARS WITH #4-40 THREADED INSERTS	
V	FLUSH EARS WITH #4-40 THREADED INSERTS IN SIDE HOLES	
N	NO MOUNTING EARS	

MODIFICATION CODE

(CONSULT FACTORY)

STAGGERED EARS WITH SIDE MOUNTING HOLES (S-S1075)

STAGGERED EARS WITH #4-40 THREADED INSERTS (A-S1076)