

PRODUCT NUMBER  
95000-XXXXLF

PLATING

- 0 = 0.2µm GOLD/GXT
- 1 = 0.76µm GOLD/GXT
- 3 = 0.38µm GOLD/GXT
- 5 = 0.38µm GXT
- 6 = 0.76µm GXT
- UNDERPLATING 1.27µm Ni MIN

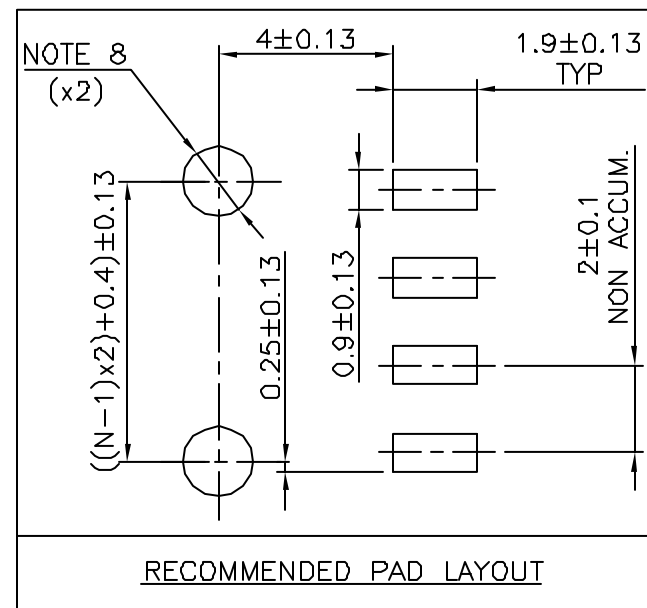
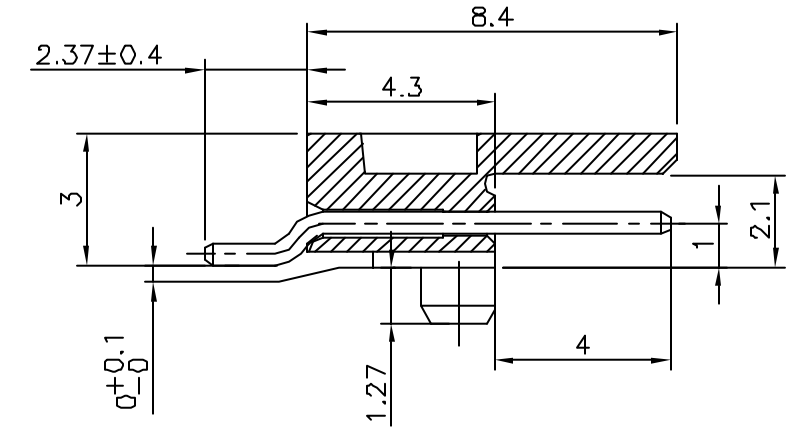
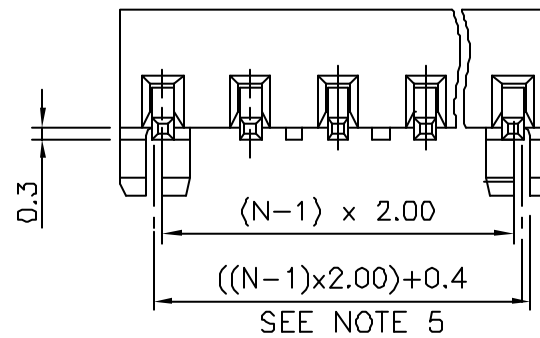
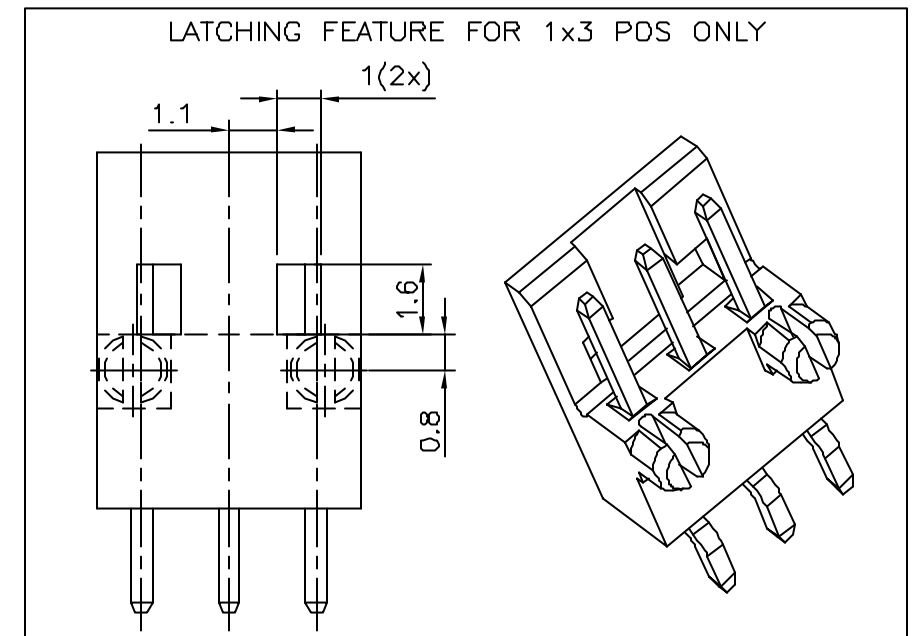
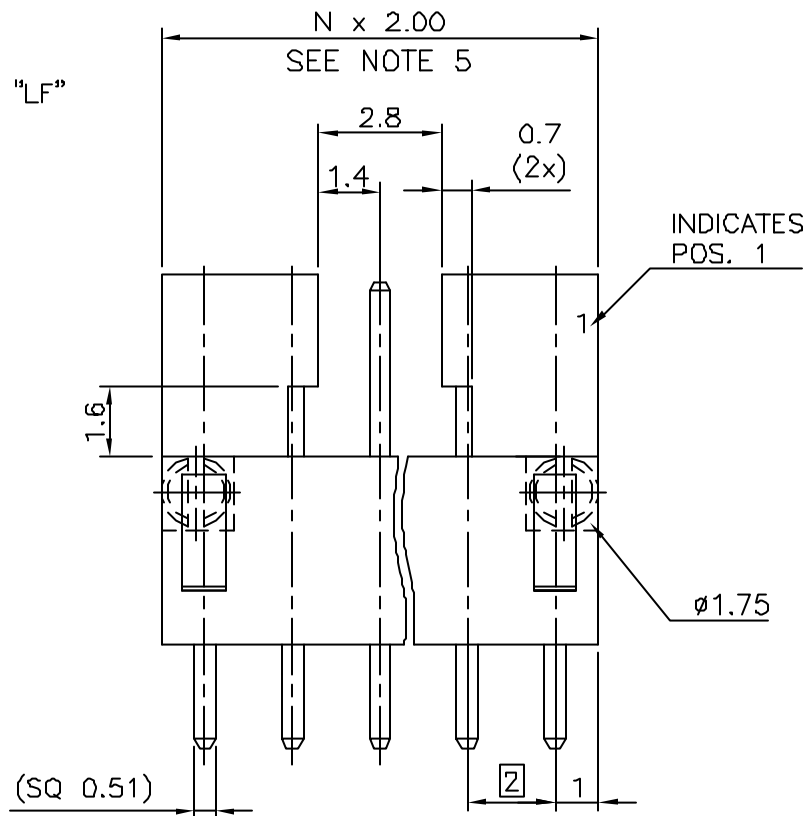
WHEN REQUIRED, ADD SUFFIX LETTER "LF"  
INDICATES THE PRODUCT IS RoHS  
COMPATIBLE, SEE NOTE 6 & 7

PACKAGING TYPE, NOTE 3

TOTAL NB OF POSITIONS, 3 TO 17

NOTES:

- 1 - HOUSING MAT'L : HIGH TEMPERATURE THERMOPLASTIC. UL94V-0 COLOR: CREAM
- 2 - PIN MATERIAL : COPPER ALLOY
- 3 - PACKAGING :  
= POLY BAGS  
T = TUBE, FROM 04 POS UP TO 17 POS  
TR = TAPE & REEL  
SEE TA845 FOR PRODUCT AVAILIBLY
- 4 - 7N MIN RETENTION IN EITHER DIRECTION
- 5 - TO DETERMINE DIMENSIONS :  
N = NUMBER OF POSITIONS
- 6 - 95000-XXXXLF IS SIMILAR TO 95000-XXXX, THE SUFFIX "LF" IS ADDED FOR EASY LEAD FREE IDENTIFICATION
- 7 - RoHS COMPATIBLE PRODUCT SPECIFICATIONS
  - a - MANUFACTURING PROCESS COMPATIBILITY
    - THE HOUSING WILL WITHSTAND EXPOSURE TO 260°C PEAK TEMPERATURE FOR 30 SECONDES MAX IN A CONVECTION, INFRA-RED OR VAPOR PHASE OR REFLOW OVEN.
  - b - LABELLING:
    - MEETS PACKAGING SPECS AS PER GS-14-920
  - c - THIS PRODUCT MEETS EUROPEAN DIRECTIVES AND OTHER COUNTRY REGULATIONS AS DISCRIBED IN GS-22-008.
- 8 - HOLE DIMENSION TO BE  $\phi 1.60 \pm 0.07$  FOR INTERFERENCE FIT APPLICATIONS  
HOLE DIMENSION TO BE  $\phi 1.95 \pm 0.07$  FOR NON INTERFERENCE FIT (LOCATIONAL) APPLICATIONS



mat'l. code		surface	tolerance	projection	product family
		ISO 1302 ✓	ISO 406 ISO 1101		MINITEK
ltr	ecn na dr date	tolerances unless otherwise specified		mm	title
J	F06-0193 LMU 06.06.105	angles	.x ±0.3		
K	F07-0179 LMU 07.04.24	Linear	.xx ±0.13	scale 7:1	MINITEK SMT HDR SR POLARIZATION & LATCHING
L	F08-0145 ELA 17.04.08	±2'	xxx ±0.05		
		dr	JL CORDIER 97.07.26		dwg no 95000 sheet 1 of 1 size A3
F	F20121 LMU 02.01.21	eng	M COMPAGNON 97.07.26		
G	F20554 LMU 02.10.10	chr	JL CORDIER 97.07.26		
H	F05-0128 LMU 05.02.21	appd	JMC 97.07.26		
sheet index	revision sheet				type CUSTOMER Drawing