

FCI CONFIDENTIAL



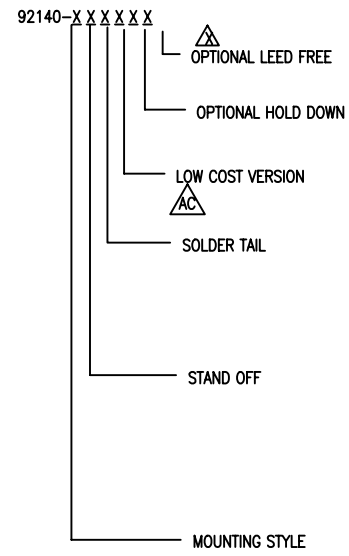
This document is the property of and embodies CONFIDENTIAL and PROPRIETARY information of FCI. No part of the information shown on this document may be used in any way or disclosed to others without the written consent of FCI. Copyright FCI.

FCIconnect.com

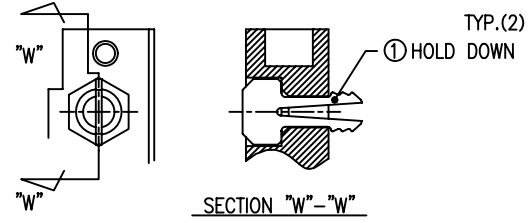
PRODUCT NO.

92140

PRODUCT NO.	STAND OFF	SOLDER TAIL	DIM "P"	DIM "Q"	FOR LOWER DECK OR UPPER DECK	HOLD DOWN	LOCATOR FOR SOLDER TAIL ALIGNMENT	SHEET NO.	MOUNTING STYLE TO PCB
92140-XXXX	0	R/A	2.8	---	LOWER	NONE	NONE	NO.2	TOP MOUNT 92140-XXXX
000	0	R/A	2.8	---	LOWER	NONE	NONE		
000M	0	R/A	2.8	---	LOWER	NONE	NONE		
000LF	0	R/A	2.8	---	LOWER	NONE	NONE		
000MLF	0	R/A	2.8	---	LOWER	NONE	NONE		
000MCLF	0	R/A	2.8	---	LOWER	NONE	NONE		
000H	0	R/A	2.8	---	LOWER	YES	NONE		
000HLF	0	R/A	2.8	---	LOWER	YES	NONE		
001	0	SMT STG.	---	---	LOWER	NONE	NONE		
001LF	0	SMT STG.	---	---	LOWER	NONE	NONE		
001H	0	SMT STG.	---	---	LOWER	YES	NONE		
001HLF	0	SMT STG.	---	---	LOWER	YES	NONE		
002	0	SMT LL	---	---	LOWER	NONE	NONE	NO.3	BLACK COLOR
002LF	0	SMT LL	---	---	LOWER	NONE	NONE		
002H	0	SMT LL	---	---	LOWER	YES	NONE		
002HLF	0	SMT LL	---	---	LOWER	YES	NONE		
010	4	R/A	2.8	---	LOWER	NONE	YES		
010LF	4	R/A	2.8	---	LOWER	NONE	YES		
010H	4	R/A	2.8	---	LOWER	YES	YES		
010HLF	4	R/A	2.8	---	LOWER	YES	YES		
020	5	R/A	2.8	---	LOWER	NONE	YES		
020LF	5	R/A	2.8	---	LOWER	NONE	YES		
020MLF	5	R/A	2.8	---	LOWER	NONE	YES		
020MCLF	5	R/A	2.8	---	LOWER	NONE	YES		
021MLF	5	R/A	2.8	---	LOWER	NONE	YES		
021MCLF	5	R/A	2.8	---	LOWER	NONE	YES		
020H	5	R/A	2.8	---	LOWER	YES	YES		
020HLF	5	R/A	2.8	---	LOWER	YES	YES		
040	2	R/A	2.5	---	LOWER	NONE	NONE	NO.4	BOTTOM MOUNT 92140-5XXX
040LF	2	R/A	2.5	---	LOWER	NONE	NONE		
040HLF	2	R/A	2.5	---	LOWER	YES	NONE		
050	3	R/A	2.8	---	LOWER	NONE	YES		
050LF	3	R/A	2.8	---	LOWER	NONE	YES		
050H	3	R/A	2.8	---	LOWER	YES	YES		
050HLF	3	R/A	2.8	---	LOWER	YES	YES		
005	FOR 0	R/A	2.8	8.6	UPPER	NONE	YES		
005LF	FOR 0	R/A	2.8	8.6	UPPER	NONE	YES		
045	FOR 2	R/A	2.5	10.3	UPPER	NONE	YES		
045LF	FOR 2	R/A	2.5	10.3	UPPER	NONE	YES		
500	0	R/A	2.8	---	LOWER	NONE	NONE	NO.5	NATURAL OR WHITE COLOR
500LF	0	R/A	2.8	---	LOWER	NONE	NONE		
500H	0	R/A	2.8	---	LOWER	YES	NONE		
500HLF	0	R/A	2.8	---	LOWER	YES	NONE		
501	0	SMT STG.	---	---	LOWER	NONE	NONE		
501LF	0	SMT STG.	---	---	LOWER	NONE	NONE		
501H	0	SMT STG.	---	---	LOWER	YES	NONE		
501HLF	0	SMT STG.	---	---	LOWER	YES	NONE		
502	0	SMT LL	---	---	LOWER	NONE	NONE		
502LF	0	SMT LL	---	---	LOWER	NONE	NONE		
502H	0	SMT LL	---	---	LOWER	YES	NONE		
502HLF	0	SMT LL	---	---	LOWER	YES	NONE		
503	0	SMT LL	---	---	LOWER	NONE	NONE	NO.6	
503LF	0	SMT LL	---	---	LOWER	NONE	NONE		
510	4	R/A	2.8	---	LOWER	NONE	YES		
510LF	4	R/A	2.8	---	LOWER	NONE	YES		
510HLF	4	R/A	2.8	---	LOWER	YES	YES		
520	5	R/A	2.8	---	LOWER	NONE	YES		
520LF	5	R/A	2.8	---	LOWER	NONE	YES		
520H	5	R/A	2.8	---	LOWER	YES	YES		
520HLF	5	R/A	2.8	---	LOWER	YES	YES		
530	2	R/A	1.48	---	LOWER	NONE	NONE		
530LF	2	R/A	1.48	---	LOWER	NONE	NONE		
540	2	R/A	2.5	---	LOWER	NONE	NONE	NO.7	
540LF	2	R/A	2.5	---	LOWER	NONE	NONE		
505	FOR 0	R/A	2.8	8.6	UPPER	NONE	YES		
505LF	FOR 0	R/A	2.8	8.6	UPPER	NONE	YES		
535	FOR 2	R/A	1.48	9.28	UPPER	NONE	YES		
535LF	FOR 2	R/A	1.48	9.28	UPPER	NONE	YES		
545	FOR 2	R/A	2.5	10.3	UPPER	NONE	YES		
545LF	FOR 2	R/A	2.5	10.3	UPPER	NONE	YES		



- NONE : N 0
- LF : YES
- NONE : N 0
- H : YES (SEE FIGURE OF -xxxH)
- NONE : N 0
- M : YES (DETAIL AS COMPONENT)
- 0 : R/A (FOR LOWER & SINGLE)
- 1 : SMT STAGGERED
- 2 : SMT IN LINE
- 3 : SMT IN LINE (FOR UPPER ONLY)
- 5 : R/A
- 0 : 0mm
- 1 : 4mm
- 2 : 5mm
- 3 : 2mm (SPECIAL TAIL LENGTH)
- 4 : 2mm
- 5 : 3mm
- 0 : TOP MOUNTING
- 5 : BOTTOM MOUNTING



92140-xxxH
(OPTIONAL HOLD DOWN)

NOTE
1. THIS PRODUCT MEETS EUROPEAN UNION DIRECTIVES AND OTHER COUNTRY REGULATIONS AS DESCRIBED IN GS-22-008.

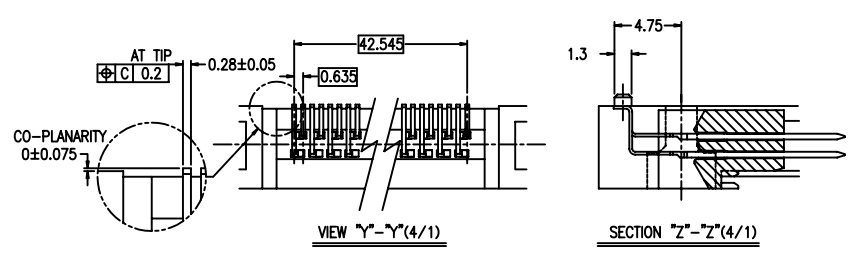
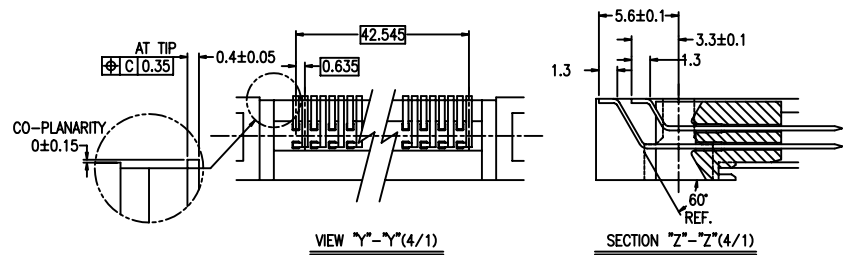
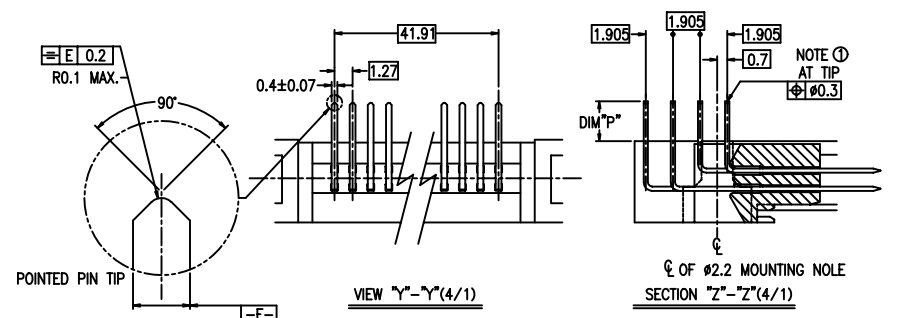
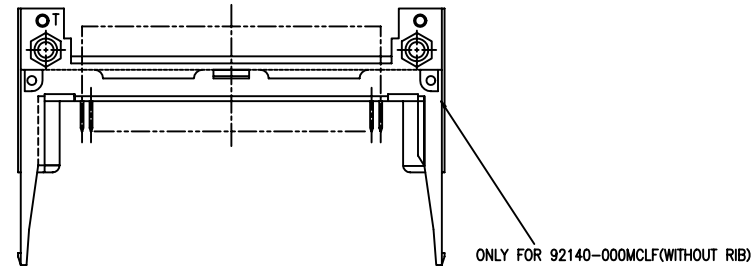
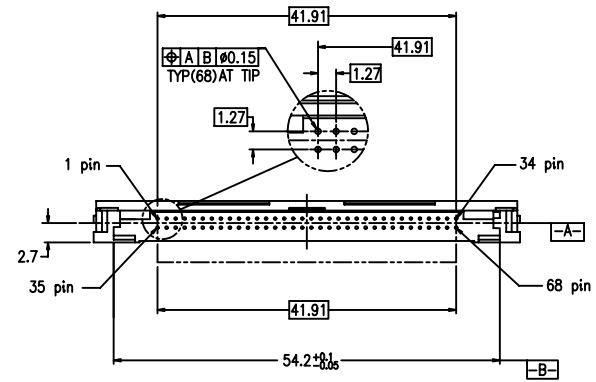
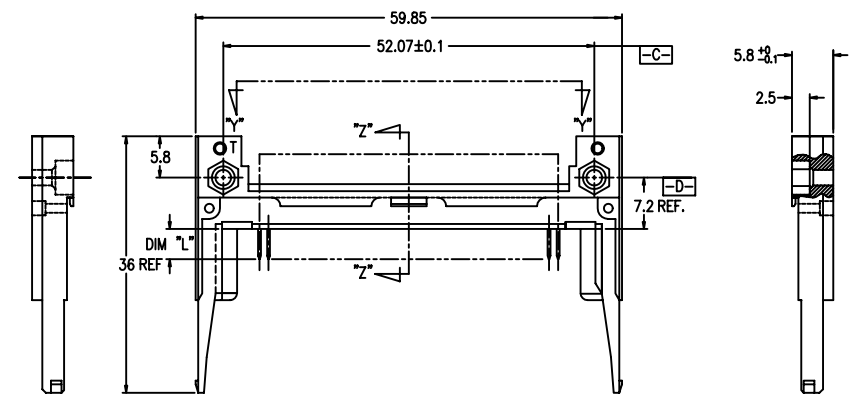
mat'l. code		surface ISO 1302		tolerance ISO 406 ISO 1101		projection		product family PCMCIA	
ltr		ecn no		dr		date		title	
AD		N06-0286		M.Z		11/22/06		68 POS EJECTOR HEADER ASSY FOR 5.0V APPLICATION	
AE		N07-0026		D.T		1/29/07			
AF		N07-0114		C.M		05/14/07			
AG		N07-0209		M.Z		11/14/08		dwg no 92140 sheet 1 of 7 size A4	
AH		N08-0219		M.Z		11/14/08		type CUSTOMER Drawing	
sheet index		revision sheet		AH AH AH AH AH AH AH AH					
		1 2		3 4 5 6 7					

FCI CONFIDENTIAL



This document is the property of and embodies CONFIDENTIAL and PROPRIETARY information of FCI. No part of the information shown on this document may be used in any way or disclosed to others without the written consent of FCI. Copyright FCI.

PRODUCT NO.
92140-000M
△92140-000MLF
92140-000MCLF
92140-000H
△92140-000HLF
92140-001
△92140-001LF
92140-001H
△92140-001HLF
92140-002
△92140-002LF
92140-002H
△92140-002HLF



- NOTES
- TRUE POSITION IS A FREE GRID TO PIN PATTERN ITSELF.
 - SEE TA-946 FOR PCB LAYOUT.
 - MATERIAL HOUSING : LCP UL94V-0 BLACK(SPECIAL VERSION MATERIAL: PA46).
PIN : PHOSPHOR BRONZE(SPECIAL VERSION MATERIAL:BRASS).
HOLD-DOWN : BRASS
 - FINISH PIN
UNDER PLATING : 0.5µm MIN. Ni.
CONTACT AREA : 0.1µm MIN. Au.
OVER 0.5µm MIN. Pb-Ni.
NOTE:SPECIAL VERSION:ONLY 0.25µm Au
SOLDER AREA : 2.5µm MIN. Sn-Pb.
OR 2.5µm MIN. PURE Sn.(FOR -XXXLF)
HOLD-DOWN : 2.5µm MIN. PURE Sn.

- RECOMMENDED PCB HOLE (OPTIONAL HOLD-DOWN) : 2.3±0.1
- SEQUENCE PIN ASSIGNMENT

PIN No.	DIM L"		
	OTHERS	36.67	35.51.68
	4.25±0.1	3.5±0.1	5.0±0.1
		1.17.34	1.17.34

- GENERAL TOLERANCE : ±0.3
- SEE SHEET 1 REGARDING COMPONENTS.

mat'l. code		surface	tolerance	projection	product family	PCMCIA
ltr		ISO 1302	ISO 406 ISO 101		title	
ecn no		tolerances unless otherwise specified			68 POS EJECTOR HEADER ASSY	
dr		angles	linear	MM	dwg no	
enr		±2'	±0.3	scale	92140	
chr		dr Mike Zhou	11/21/06		sheet 2of 7 size	
appd		enr Mike Zhou	11/21/06		A4	
index		chr David Qin	11/21/06		type CUSTOMER Drawing	
revision		appd Jack Wang	11/21/06			

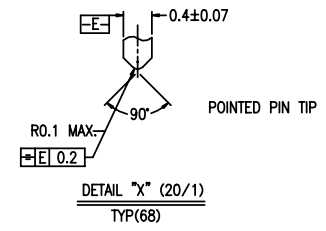
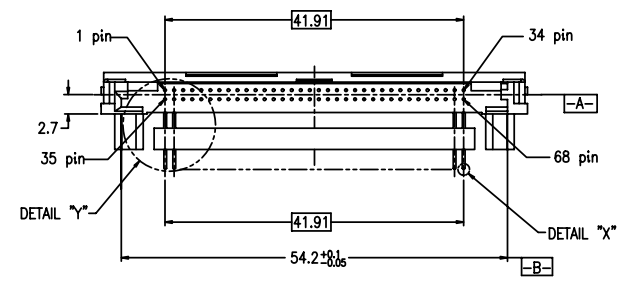
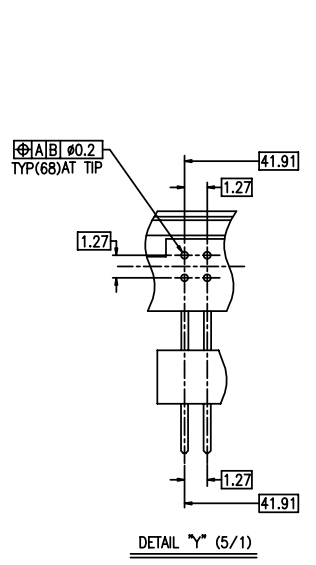
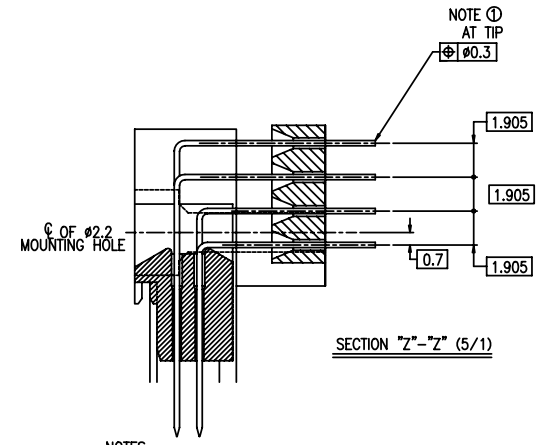
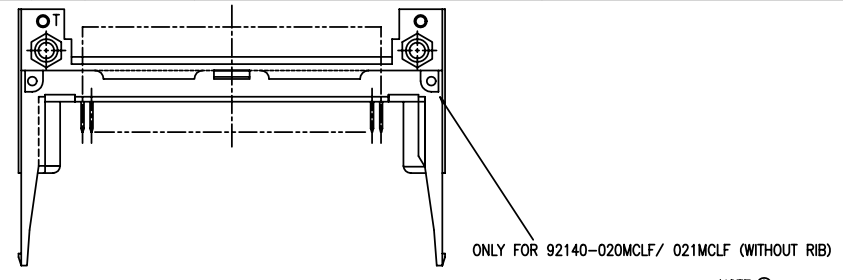
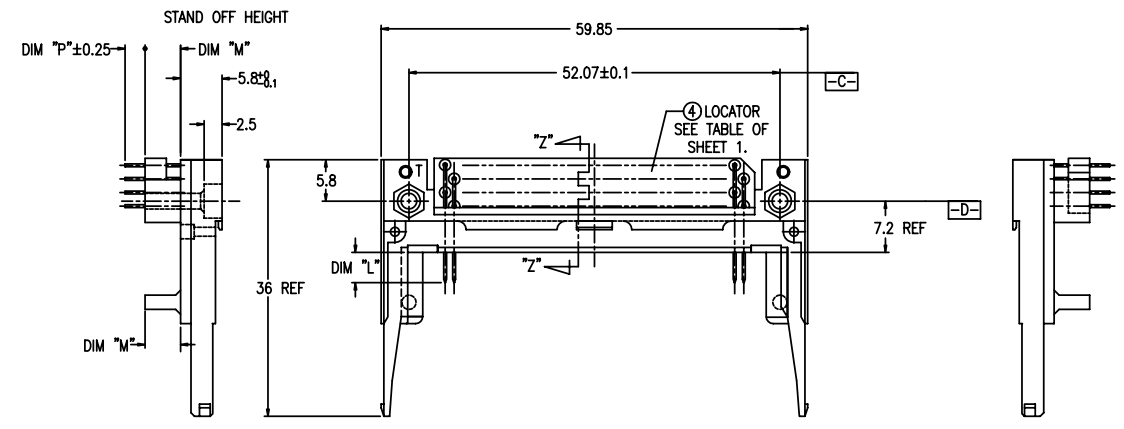
FCI CONFIDENTIAL



FCIconnect.com

This document is the property of and embodies CONFIDENTIAL and PROPRIETARY information of FCI. No part of the information shown on this document may be used in any way or disclosed to others without the written consent of FCI. Copyright FCI.

PRODUCT NO.	PRODUCT NO.
92140-010	92140-010LF
92140-010H	92140-010HLF
92140-020	92140-020LF
92140-020H	92140-020HLF
92140-040	92140-040LF
92140-050	92140-050LF
92140-050H	92140-050HLF
92140-020MLF	92140-040HLF
92140-021MLF	92140-020MCLF
	92140-021MCLF



- NOTES
- TRUE POSITION IS A FREE GRID TO PIN PATTERN ITSELF.
 - SEE TA-946 FOR PCB LAYOUT.
 - MATERIAL
HOUSING : LCP UL94V-0 BLACK.
PIN : COPPER ALLOY
HOLD-DOWN : BRASS
 - FINISH
PIN
UNDER PLATING : 0.5µm MIN. Ni.
CONTACT AREA 1 : 0.1µm MIN. Au.
OVER 0.5µm MIN. Pb-Ni.
CONTACT AREA 2 : 0.25µm MIN. Au(FOR -XXXMLF).
SOLDER AREA : 2.5µm MIN. Sn-Pb.
OR 2.5µm MIN. PURE Sn.(FOR -XXXLF&XXXMLF)
HOLD-DOWN : 2.5µm MIN. PURE Sn.
 - RECOMMENDED PCB HOLE (OPTIONAL HOLD-DOWN) : 2.3±0.1
 - SEQUENCE PIN ASSIGNMENT
- | PIN No. | DIM "L" | | |
|---------|----------|---------|----------|
| | 4.25±0.1 | 3.5±0.1 | 5.0±0.1 |
| OTHERS | 36.67 | 117.34 | 35.51.68 |
- GENERAL TOLERANCE : ±0.3
 - SEE SHEET 1 REGARDING COMPONENTS.
 - THIS PRODUCT MEETS EUROPEAN UNION DIRECTIVES AND OTHER COUNTRY REGULATIONS AS DESCRIBED IN GS-22-008

mat'l. code		surface		tolerance		projection		product family		PCMCIA
ltr		ecn no		dr		date		tolerances unless otherwise specified		title
AH								angles		linear
								±2'		±0.3
								dr		MM
								enr		scale
								chr		MM
								appd		MM
								Mike Zhou		11/21/06
								Mike Zhou		11/21/06
								David Qin		11/21/06
								Jack Wang		11/21/06
sheet		revision						dwg no		sheet 3of 7 size
index		sheet						92140		A4
								type		CUSTOMER Drawing

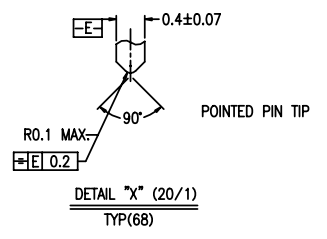
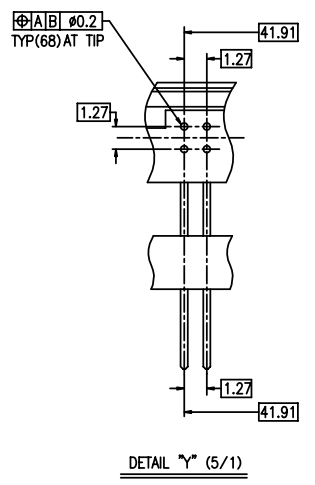
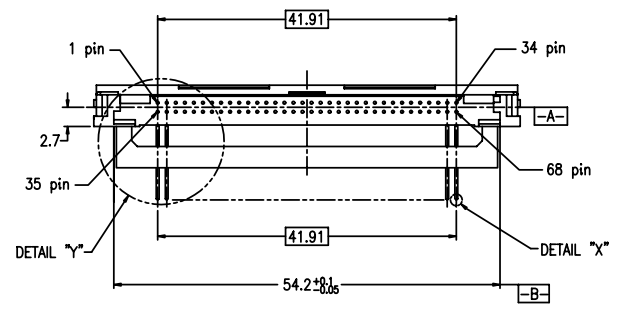
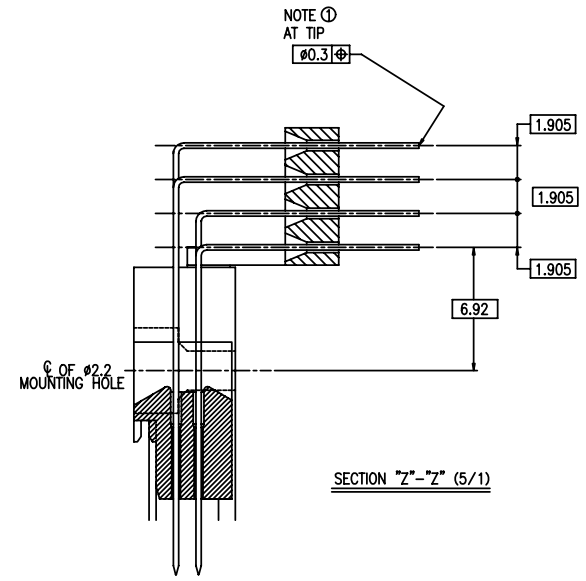
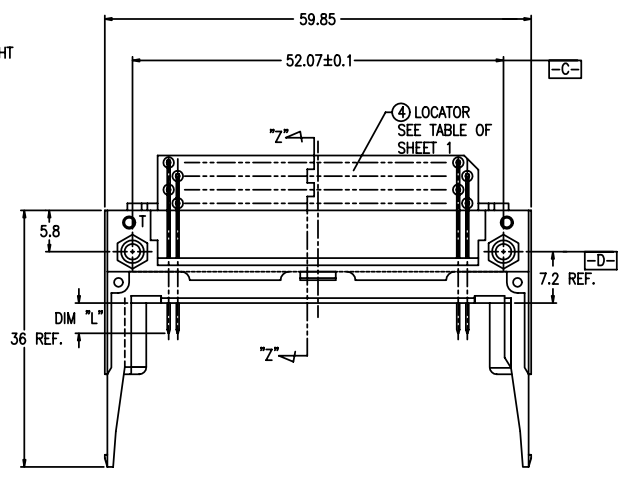
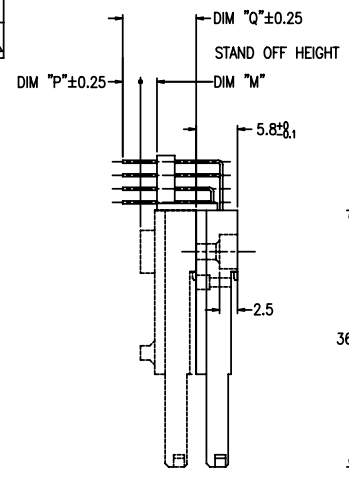
FCI CONFIDENTIAL

This document is the property of and embodies CONFIDENTIAL and PROPRIETARY information of FCI. No part of the information shown on this document may be used in any way or disclosed to others without the written consent of FCI. Copyright FCI.



FCIconnect.com

PRODUCT NO.
92140-005
92140-005LF
92140-045
92140-045LF



- NOTES
- TRUE POSITION IS A FREE GRID TO PIN PATTERN ITSELF.
 - SEE TA-946 FOR PCB LAYOUT.
 - MATERIAL
HOUSING : LCP UL94V-0 BLACK.
PIN : PHOSPHOR BRONZE.
HOLD-DOWN : BRASS
 - FINISH
PIN
UNDER PLATING : 0.5um MIN. Ni.
CONTACT AREA : 0.1um MIN. Au.
OVER 0.5um MIN. Pb-Ni.
SOLDER AREA : 2.5um MIN. Sn-Pb.
OR 2.5um MIN. PURE Sn.(FOR -XXXLF)
HOLD-DOWN : 2.5um MIN. PURE Sn.
 - RECOMMENDED PCB HOLE (OPTIONAL HOLD-DOWN) : 2.3±0.1
 - SEQUENCE PIN ASSIGNMENT

PIN No.	DIM "L"		
	4.25±0.1	3.5±0.1	5.0±0.1
OTHERS	36.67	117.34	38.51.88

- GENERAL TOLERANCE : ±0.3
- SEE SHEET 1 REGARDING COMPONENTS.
- THIS PRODUCT MEETS EUROPEAN UNION DIRECTIVES AND OTHER COUNTRY REGULATIONS AS DESCRIBED IN GS-22-008

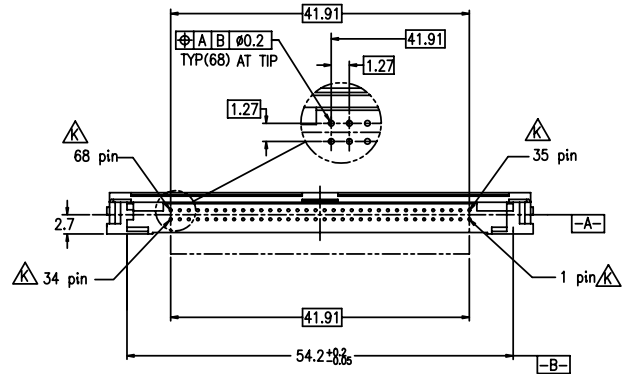
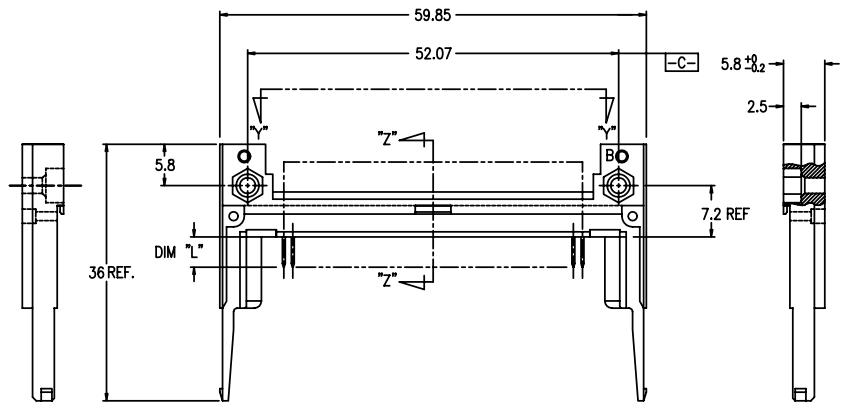
mat'l. code	surface	tolerance	projection	product family	PCMCIA
	ISO 1302	ISO 406 ISO 1101		title	
ltr	ecn no	dr	date	tolerances unless otherwise specified	
AH				angles	linear
				±2'	±0.3
				scale	MM
	dr	Mike Zhou	11/21/06		68 POS EJECTOR HEADER ASSY FOR 5.0V APPLICATION sheet 4 of 7 size A4
	enr	Mike Zhou	11/21/06		
	chr	David Qin	11/21/06		
	appd	Jack Wang	11/21/06		
sheet	revision			dwg no	92140
index	sheet			type	CUSTOMER Drawing

FCI CONFIDENTIAL



This document is the property of and embodies CONFIDENTIAL and PROPRIETARY information of FCI. No part of the information shown on this document may be used in any way or disclosed to others without the written consent of FCI. Copyright FCI.

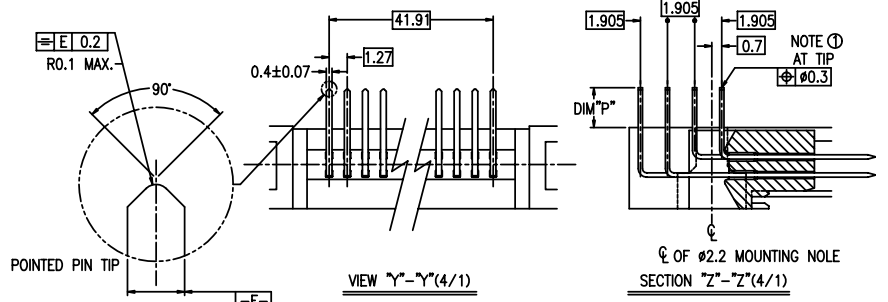
PRODUCT NO.
92140-500
92140-500LF
92140-500H
92140-500HLF
92140-501
92140-501LF
92140-501H
92140-501HLF
92140-502
92140-502LF
92140-502H
92140-502HLF
92140-503
92140-503LF



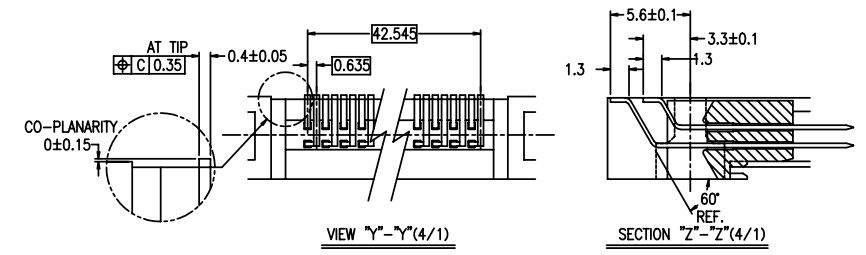
- NOTES
- TRUE POSITION IS A FREE GRID TO PIN PATTERN ITSELF.
 - SEE TA-946 FOR PCB LAYOUT.
 - MATERIAL
HOUSING : LCP UL94V-0 NATURAL.
PIN : PHOSPHOR BRONZE.
HOLD-DOWN : BRASS
 - FINISH
PIN
UNDER PLATING : 0.5µm MIN. Ni.
CONTACT AREA : 0.1µm MIN. Au.
OVER 0.5µm MIN. Pb-Ni.
SOLDER AREA : 2.5µm MIN. Sn-Pb.
OR 2.5µm MIN. PURE Sn.(FOR -XXXLF)
HOLD-DOWN : 2.5µm MIN. PURE Sn.
 - RECOMMENDED PCB HOLE (OPTIONAL HOLD-DOWN) : 2.3±0.1
 - SEQUENCE PIN ASSIGNMENT

PIN No.	DIM "L"		
	OTHERS	36.67	1.17, 34, 35.68
	4.25±0.1	3.5±0.1	5.0±0.1

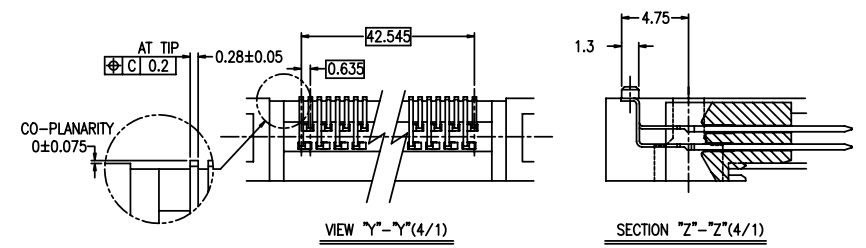
- GENERAL TOLERANCE : ±0.3
- SEE SHEET 1 REGARDING COMPONENTS.
- THIS PRODUCT MEETS EUROPEAN UNION DIRECTIVES AND OTHER COUNTRY REGULATIONS AS DESCRIBED IN GS-22-008



R/A (92140-500X)



SMT STAGGERED (92140-501X)



SMT IN LINE (92140-502X)

mat'l. code		surface	tolerance	projection	product family	PCMCIA
ltr		ISO 1302	ISO 406 ISO 1101		title	
ecn no		tolerances unless otherwise specified			68 POS EJECTOR HEADER ASSY FOR 5.0V APPLICATION	
dr		angles	linear	MM	dwg no	
enr		±2'	±0.3	scale	92140 sheet 5 of 7 size	
chr		dr Mike Zhou	11/21/06		A4	
appd		enr Mike Zhou	11/21/06		type CUSTOMER Drawing	
revision		chr David Qin	11/21/06			
sheet index		sheet	revision			

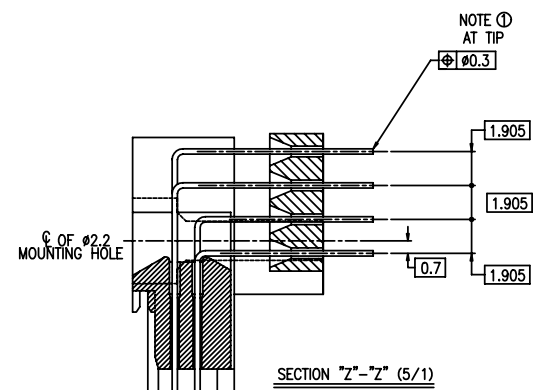
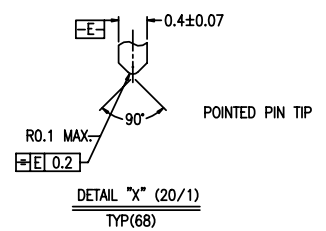
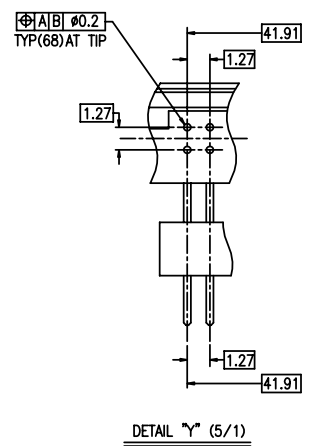
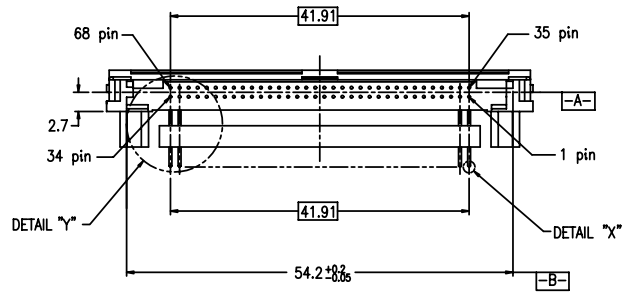
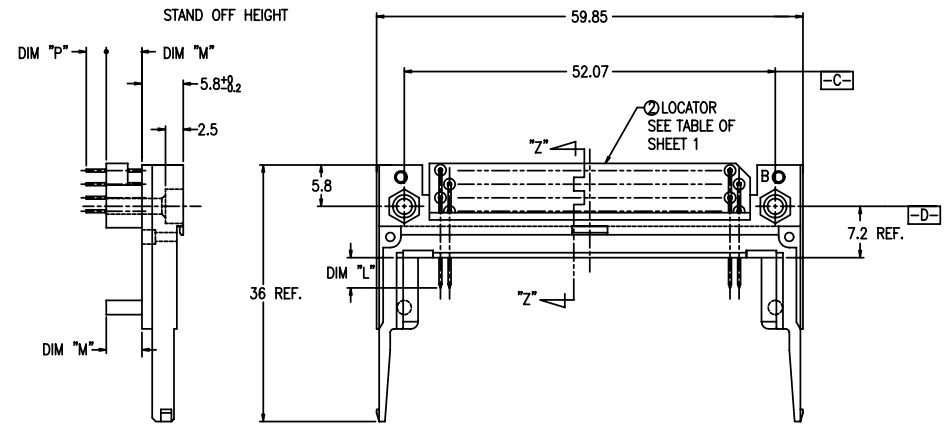
FCI CONFIDENTIAL



This document is the property of and embodies CONFIDENTIAL and PROPRIETARY information of FCI. No part of the information shown on this document may be used in any way or disclosed to others without the written consent of FCI. Copyright FCI.

FCIconnect.com

PRODUCT NO.		
92140-510	92140-510LF Δ	92140-510HLF Δ
92140-520	92140-520LF Δ	
92140-520H Δ	92140-520HLF Δ	
92140-530	92140-530LF Δ	
92140-540	92140-540LF Δ	



- NOTES
- TRUE POSITION IS A FREE GRID TO PIN PATTERN ITSELF.
 - SEE TA-946 FOR PCB LAYOUT.
 - MATERIAL
HOUSING : LCP UL94V-0 NATURAL.
PIN : PHOSPHOR BRONZE.
HOLD-DOWN : BRASS
 - FINISH
PIN
UNDER PLATING : 0.5µm MIN. Ni.
CONTACT AREA : 0.1µm MIN. Au.
OVER 0.5µm MIN. Pb-Ni.
SOLDER AREA : 2.5µm MIN. Sn-Pb.
OR 2.5µm MIN. PURE Sn.(FOR -XXXLF)
HOLD-DOWN : 2.5µm MIN. PURE Sn.
 - RECOMMENDED PCB HOLE (OPTIONAL HOLD-DOWN) : 2.3±0.1
 - SEQUENCE PIN ASSIGNMENT

PIN No.	DIM "L"		
	4.25±0.1	3.5±0.1	5.0±0.1
OTHERS	36.67	1.1754	35.5168

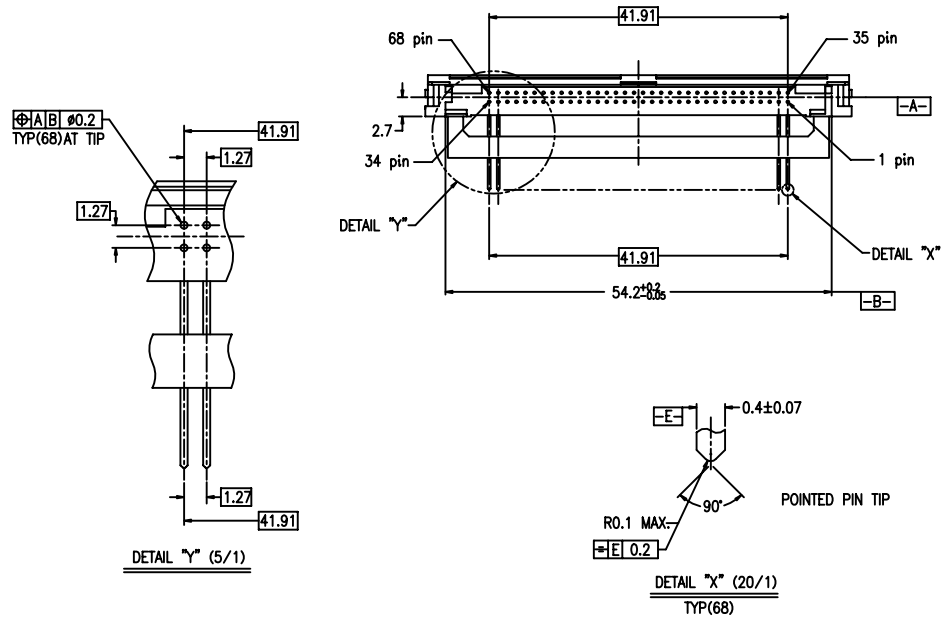
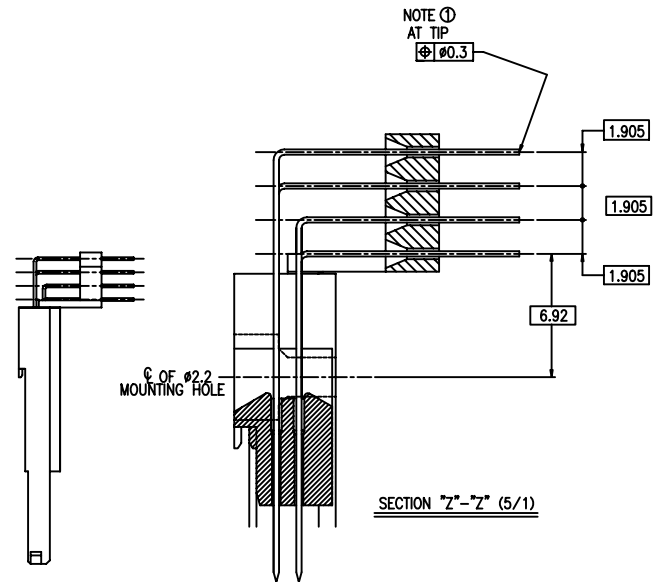
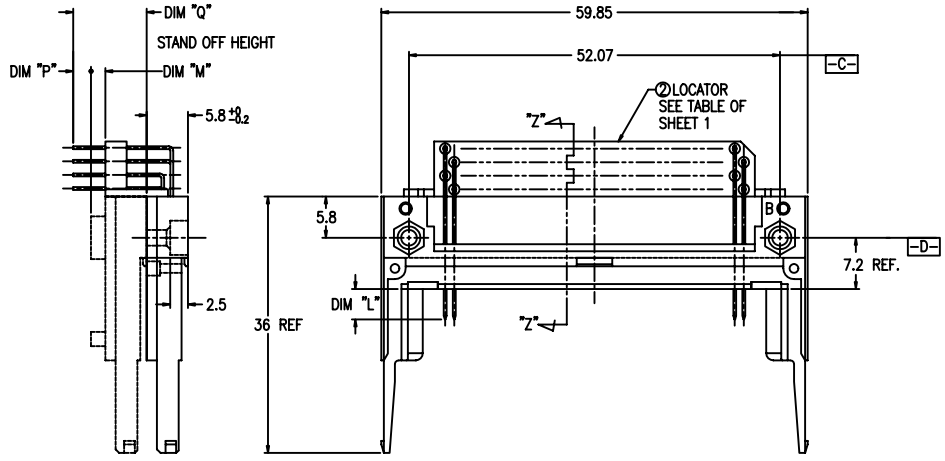
- GENERAL TOLERANCE : ±0.3
- SEE SHEET 1 REGARDING COMPONENTS.
- THIS PRODUCT MEETS EUROPEAN UNION DIRECTIVES AND OTHER COUNTRY REGULATIONS AS DESCRIBED IN GS-22-008

mat'l. code		surface	tolerance	projection	product family	PCMCIA
ltr		ISO 1302	ISO 406 ISO 1101		title	
ecn no		tolerances unless otherwise specified			68 POS EJECTOR HEADER ASSY FOR 5.0V APPLICATION	
dr		angles	linear	±0.3	MM	
date		±2'		scale	dwg no 92140 sheet 6 of 7 size A4	
dr		Mike Zhou	11/21/06		type CUSTOMER Drawing	
enr		Mike Zhou	11/21/06			
chr		David Qin	11/21/06			
appd		Jack Wang	11/21/06			
sheet	revision					
index	sheet					

FCI CONFIDENTIAL

This document is the property of and embodies CONFIDENTIAL and PROPRIETARY information of FCI. No part of the information shown on this document may be used in any way or disclosed to others without the written consent of FCI. Copyright FCI

PRODUCT NO.
92140-505
92140-505LFA
92140-535
92140-535LFA
92140-545
92140-545LFA



- NOTES
- TRUE POSITION IS A FREE GRID TO PIN PATTERN ITSELF.
 - SEE TA-946 FOR PCB LAYOUT.
 - MATERIAL
HOUSING : LCP UL94V-0 NATURAL.
PIN : PHOSPHOR BRONZE.
HOLD-DOWN : BRASS
 - FINISH
PIN
UNDER PLATING : 0.5µm MIN. Ni.
CONTACT AREA : 0.1µm MIN. Au.
OVER 0.5µm MIN. Pb-Ni.
SOLDER AREA : 2.5µm MIN. Sn-Pb.
OR 2.5µm MIN. PURE Sn.(FOR -XXXLF)
HOLD-DOWN : 2.5µm MIN. PURE Sn.
 - RECOMMENDED PCB HOLE (OPTIONAL HOLD-DOWN) : 2.3±0.1
 - SEQUENCE PIN ASSIGNMENT

PIN No.	DIM "L"		
	4.25±0.1	3.5±0.1	5.0±0.1
OTHERS	36.67	17.34	35.51.68

- GENERAL TOLERANCE : ±0.3
- SEE SHEET 1 REGARDING COMPONENTS.
- THIS PRODUCT MEETS EUROPEAN UNION DIRECTIVES AND OTHER COUNTRY REGULATIONS AS DESCRIBED IN GS-22-008

mat'l. code		surface	tolerance	projection	product family	PCMCIA		
ltr		ISO 1302	ISO 406 ISO 101		title			
ecn no		tolerances unless otherwise specified			68 POS EJECTOR HEADER ASSY FOR 5.0V APPLICATION			
dr		angles	linear	±0.3	MM			
engr		±2'	scale			dwg no 92140 sheet 7 of 7 size A4		
chr		dr Mike Zhou	11/21/06				type CUSTOMER Drawing	
appd		engr Mike Zhou	11/21/06					
revision		chr David Qin	11/21/06					
sheet index		revision sheet						