

PRODUCT NUMBER
89882-YXX(Z)LF

WHEN NEEDED, SUFFIX LETTER "LF"
INDICATES THE PRODUCT IS RoHS
COMPATIBLE, SEE NOTE 5.

OPTIONAL LETTER

H: HIGH TEMPERATURE PRODUCT.

NUMBER OF POSITIONS: 02 TO 65.

PLATING CODE

3= 0.76µm GOLD ON CONTACT AREA.

3.81µm TIN-LEAD ON TAIL.

4= 5µm TIN-LEAD ON CONTACT AREA.

3.81µm TIN-LEAD ON TAIL.

WHEN SUFFIX "LF" IS REQUIRED, 2µm MIN MATTE
TIN OVER 1.27 MIN Ni IS SUPPLIED INSTEAD OF SnPb.

NOTES:

1 - HOUSING MAT'L: THERMOPLASTIC GLASS FILLED
FLAME RETARDANT PER UL 94 V-0
LOW TEMPERATURE: COLOR BLUE
HIGH TEMPERATURE: COLOR GREY.

2 - TERMINAL MATERIAL: PHOSPHOR BRONZE.
3 - 2 UP TO 4 POSITIONS PRODUCT PACKED IN PLASTIC BOX.
5 UP TO 65 POSITIONS PRODUCT PACKED IN TUBE.

4 - TO DETERMINE DIMENSIONS:
N = NUMBER OF POSITIONS
EXAMPLE: 8 POS: $(N \times 2.54) - 0.08 = 20.24$ mm.

5 - RoHS COMPATIBLE PRODUCT SPECIFICATIONS

a - PLATING:

- "LF" MEANS THE PRODUCT IS LEAD-FREE,
2µm MINIMUM MATTE TIN OVER 1.27µm
MINIMUM NICKEL UNDERPLATE.

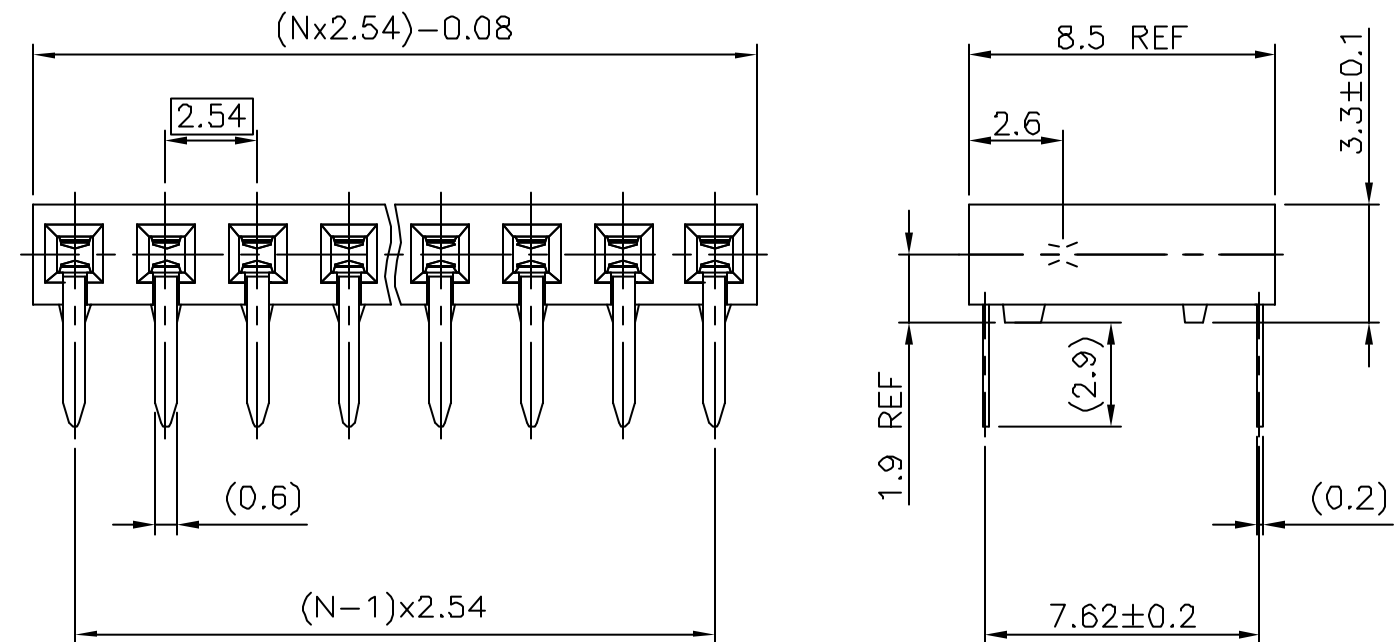
b - MANUFACTURING PROCESS COMPATIBILITY

- THE HOUSING WILL WITHSTAND EXPOSURE TO
260°C ±5°C SOLDER BATH TEMPERATURE FOR
5 SECONDS IN A WAVE SOLDER APPLICATION
WITH A 1.6mm MIN THICK CIRCUIT BOARD.

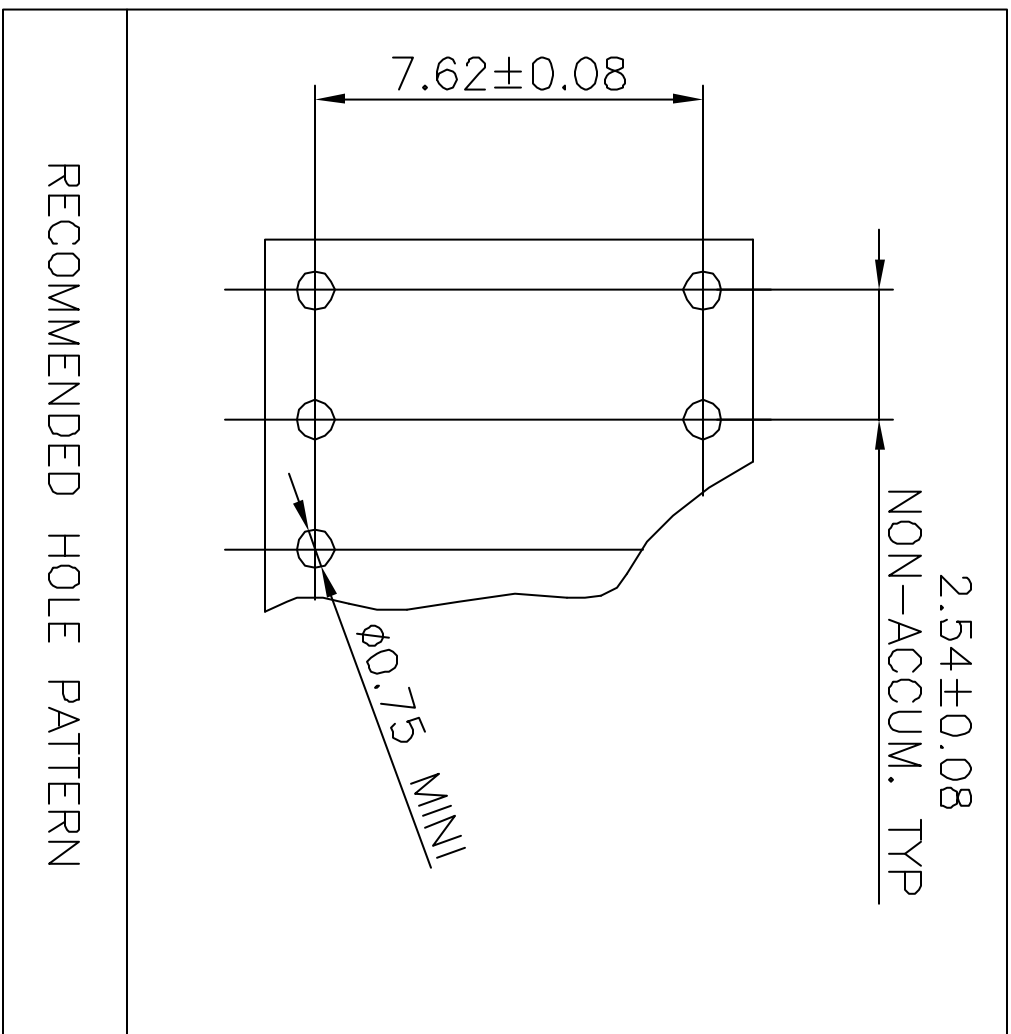
c - LABELING:

- MEETS PACKAGING SPECS AS PER GS-14-920

d - LEGAL STATEMENT: SEE GS-22-008



| | | | | | | | | | | | |
|-------------|----------|-----|----------|---------------------------------------|---|------------------|----------|------------|--|------------------|--|
| mat'l. code | | | | surface | | tolerance | | projection | | product family | |
| SEE NOTES | | | | ISO 1302 | | ISO 406 ISO 1101 | | mm | | DUBOX | |
| ltr | ecn no | dr | date | tolerances unless otherwise specified | | | | mm | | title | |
| C | F60362 | PNZ | 96.05.20 | angles | | ±0.3 | | mm | | BtB RECEPT. | |
| D | F60461 | PNZ | 96.06.20 | Linear | | | | | | HORIZ SR TMT | |
| E | F10110 | GCO | 01.01.16 | ±z | | | | scale 5:1 | | dwg no | |
| F | 04-0145 | DLE | 04.02.25 | dr | D | LEGRAND | 04.08.29 | FCJ | | sheet 1 of 2 | |
| G | 04-0347 | DLE | 04.09.28 | enr | P | NIZZI | 04.09.28 | | | size | |
| H | 06-0204 | DLE | 06.06.21 | chr | D | LEGRAND | 04.09.28 | | | 89882 | |
| J | 06-0330 | DLE | 06.12.04 | appd | P | NZ | 04.09.28 | | | A3 | |
| sheet | revision | J | B | | | | | | | type | |
| index | sheet | 1 | 2 | | | | | | | CUSTOMER Drawing | |



| | | | | | | | | | |
|-------------------------|--|---------------------------------------|--|------------------|--|------------|--|------------------|--|
| mat'l. code | | surface | | tolerance | | projection | | product family | |
| SEE SHEET 1 | | ISO 1302 | | ISO 406 ISO 1101 | | | | DUBOX | |
| ltr ecn no dr date | | tolerances unless otherwise specified | | angles linear | | mm | | title | |
| A F04-0347 DLE 04.09.28 | | ±0.3 | | ±2° | | scale 5:1 | | BTB RECEIPT. | |
| B F06-0204 DLE 06.06.21 | | | | | | | | HORIZ SR TMT | |
| | | dr | | D LEGRAND | | 04.09.28 | | dwg no | |
| | | engr | | P NIZZI | | 04.09.28 | | 89882 | |
| | | chr | | D LE | | 04.09.28 | | sheet 2 of 2 | |
| | | appd | | P NZ | | 04.09.28 | | size | |
| | | | | | | | | A4 | |
| sheet index | | revision | | | | | | type | |
| | | | | | | | | CUSTOMER Drawing | |