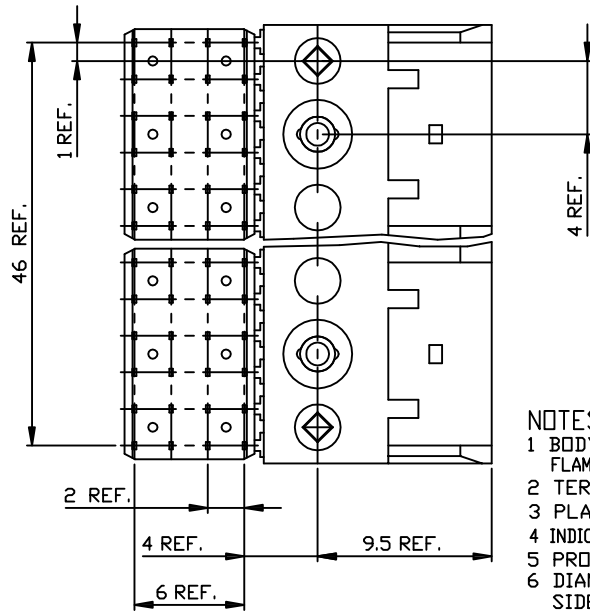
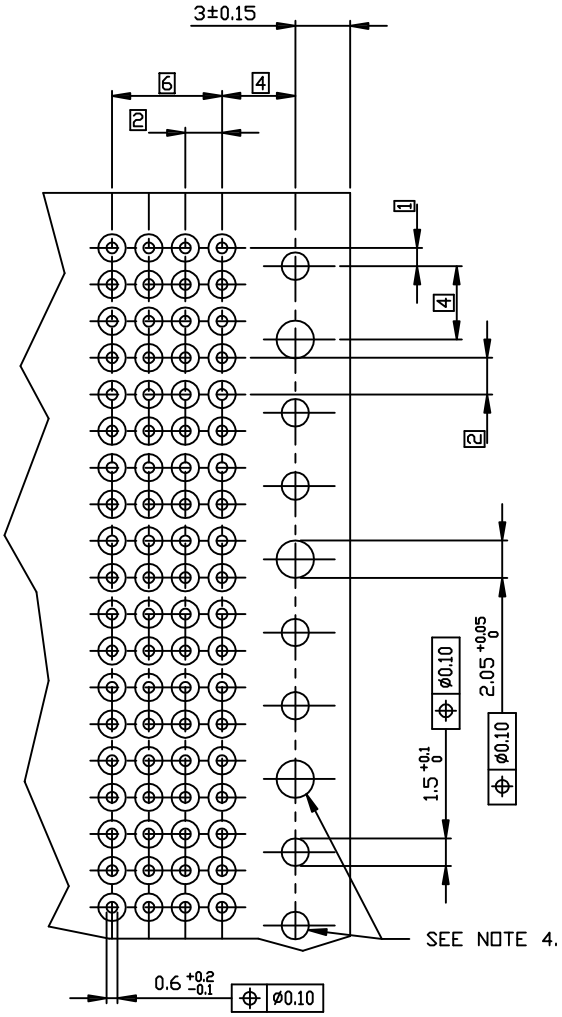
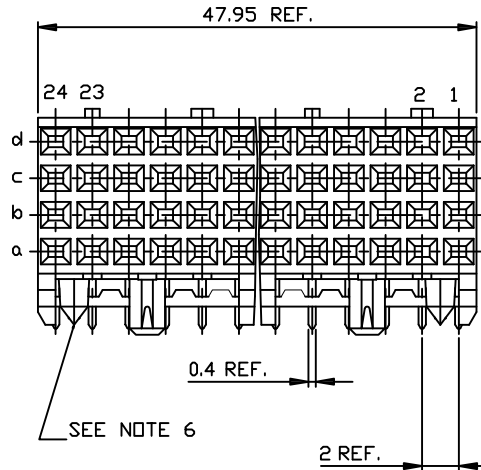
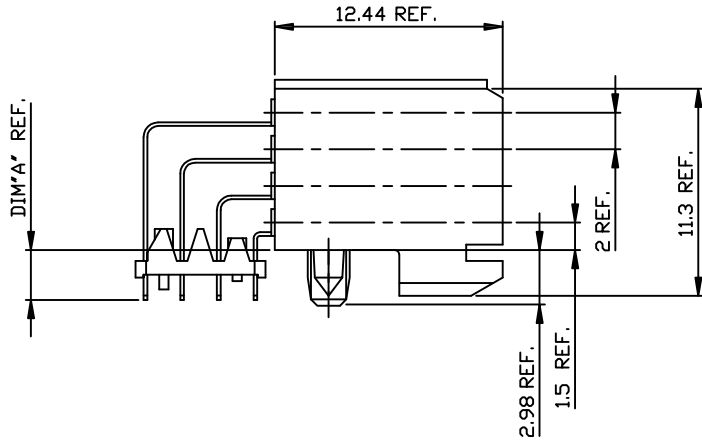
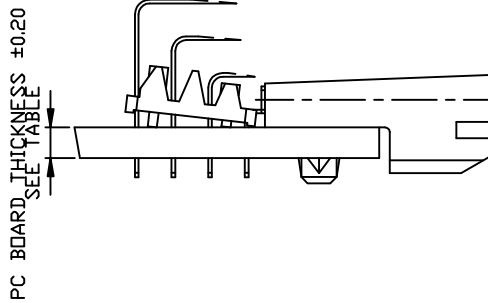


PC BOARD VERSIONS		
PRODUCTNR:	PCB THICKNESS	DIM'A'
89037-X01/X01LF	1.6	2.90
89037-X11/X11LF	2.4	3.53



PRODUCT AFTER PC BOARD APPLICATION.



NOTES:

- 1 BODY MAT'L: LIQUID CRYSTAL POLYMER 30% GLASS
FLAME RETARDANT ACC. UL 94-V0
- 2 TERMINAL MATERIAL: PHOSPHOR BRONZE.
- 3 PLATING SOLDER TAILS 2-8 um SnPb 90-97 OR 2-8 um PURE Sn
- 4 INDICATED HOLES ARE UNPLATED.
- 5 PRODUCT MARKING: PART NUMBER & BATCH ID.
- 6 DIAMOND LOCATION PEG ARE ONLY EXISTED ON THE BOTH SIDES OF PRODUCT.
- 7 THIS PRODUCT MEETS EUROPEAN UNION DIRECTIVES AND OTHER COUNTRY REGULATIONS AS DESCRIBED IN GS-22-008.
- 8 THE HOUSING WILL WITHSTAND EXPOSURE TO 260 DEGREE PEAK TEMPERATURE FOR 10 SECONDS IN A WAVE SOLDER APPLICATION.

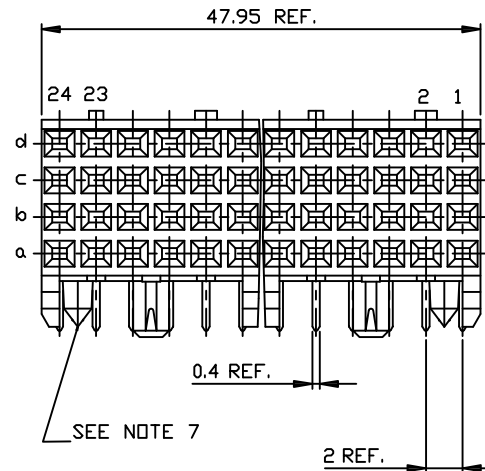
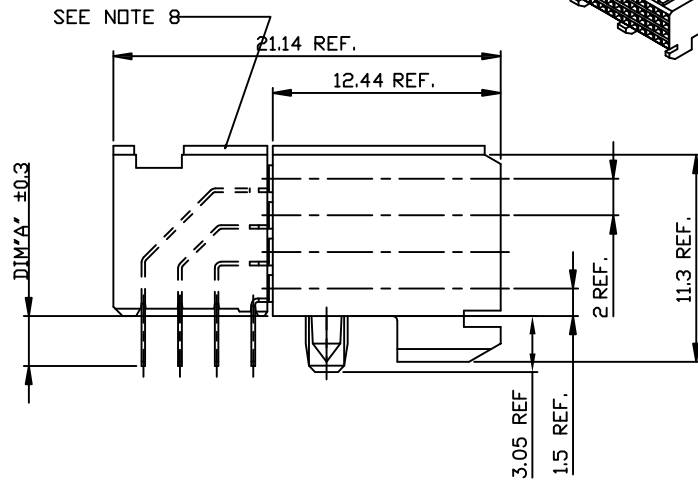
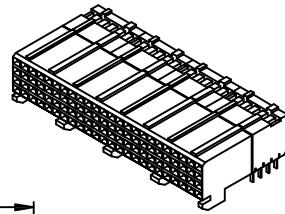
PLATING CONTACT AREA:

DASH NR:	PERFORMANCE LEVEL:
-1YY/1YYLF	TELCORDIA CD
-2YY/2YYLF	CUSTOMER SPECIAL
-3YY/3YYLF	CUSTOMER SPECIAL
-9YY/9YYLF	TELCORDIA CD

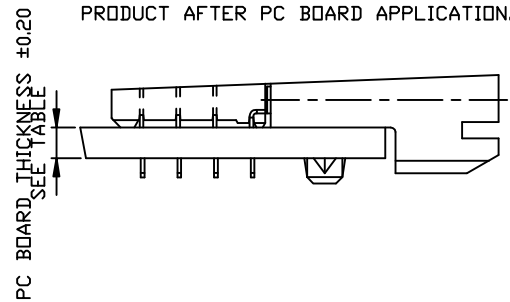
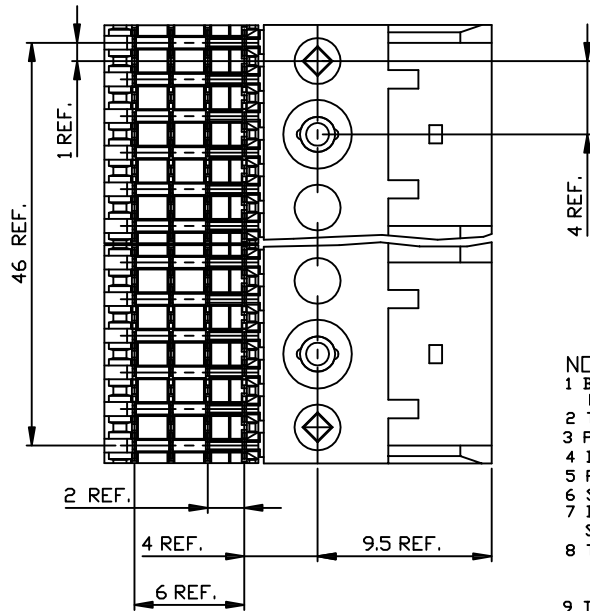
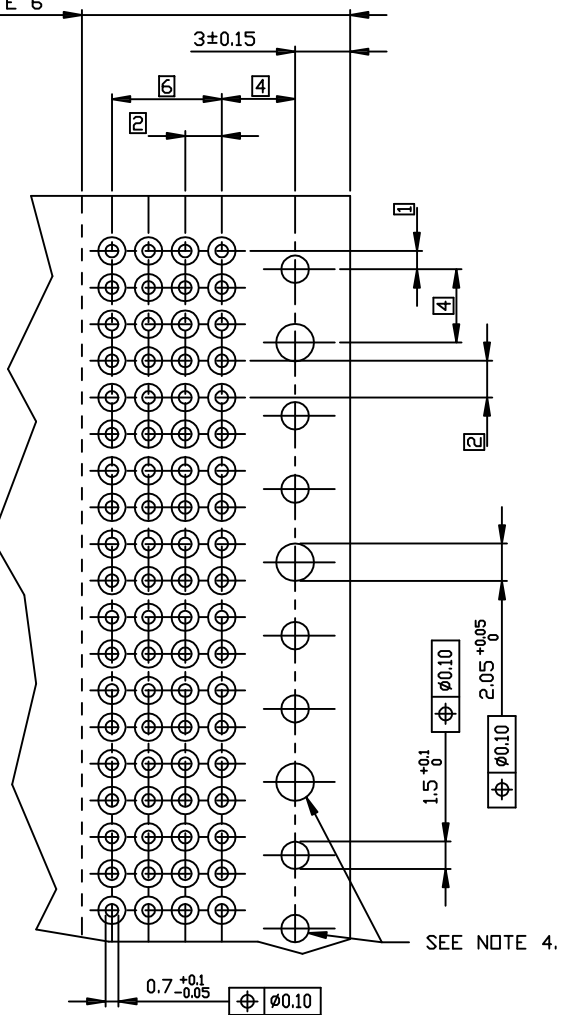
mat'l. code		tolerances unless otherwise specified		CUSTOMER CDPY	FCI	
J	0604-004	CLU	041221	linear	projection	title RA FEMALE SIGNAL
K	0606-0478	CenH	11/23/06			48 mm PRESS PEG
L	0607-0171	CenH	05/25/07	angles		product family METRAL(tm)
M	0608-0171	TER	8/26/08	dir	H.Boulinegt	930202
					H. Boulinegt	940311
G	V00578	LLA	000316	chr	Slee	930203
H	V00847	LLA	000530	appd	J.Vint.jes	930203
sheet	revision	M	M			
Index	sheet	1	2	3		

All rights strictly reserved. Reproduction or use in any form without written authority from the proprietor. FCI Inc.

PC BOARD VERSIONS		
PRODUCTNR:	PCB THICKNESS	DIM"A"
89037-X02/X02LF	1.6	2.90
89037-X12/X12LF	2.4	3.53



14.64 REF. SEE NOTE 6



- NOTES:
- 1 BODY MAT'L: LIQUID CRYSTAL POLYMER 30% GLASS
FLAME RETARDANT ACC. UL 94-V0
 - 2 TERMINAL MATERIAL: PHOSPHOR BRONZE.
 - 3 PLATING SOLDER TAILS 2-8 μm SnPb 90-97 OR 2-8 μm PURE Sn
 - 4 INDICATED HOLES ARE UNPLATED.
 - 5 PRODUCT MARKING: PARTNUMBER & BATCH ID.
 - 6 SET BACK FOR PRESS BLOCK.
 - 7 DIAMOND LOCATION PEG ARE ONLY EXISTED ON THE BOTH SIDES OF PRODUCT.
 - 8 TOP SURFACE OF PRESS BLOCK MAY EXTEND UP TO 0.4MM HIGHER THAN HOUSING. THIS MAY AFFECT THE TAIL LENGTH BEFORE APPLICATION TO A BOARD
 - 9 THIS PRODUCT MEETS EUROPEAN UNION DIRECTIVES AND OTHER COUNTRY REGULATIONS AS DESCRIBED INGS-22-008.
 - 10 THE HOUSING WILL WITHSTAND EXPOSURE TO 260DEGREE PEAK TEMPERATURE FOR 10 SECONDS IN A WAVE SOLDER APPLICATION.

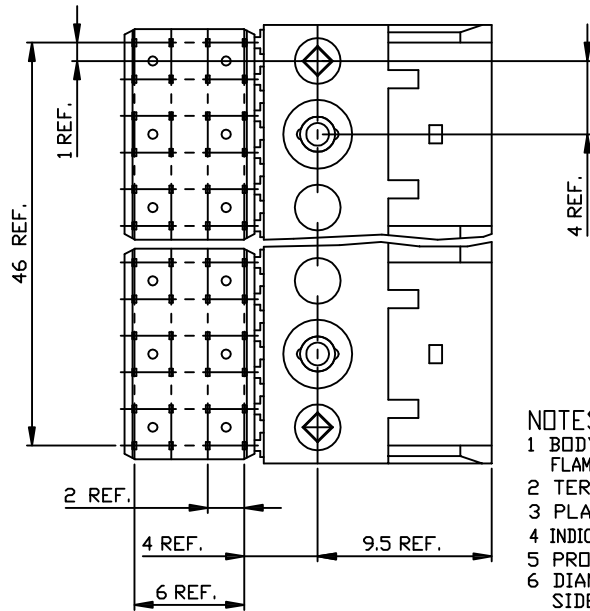
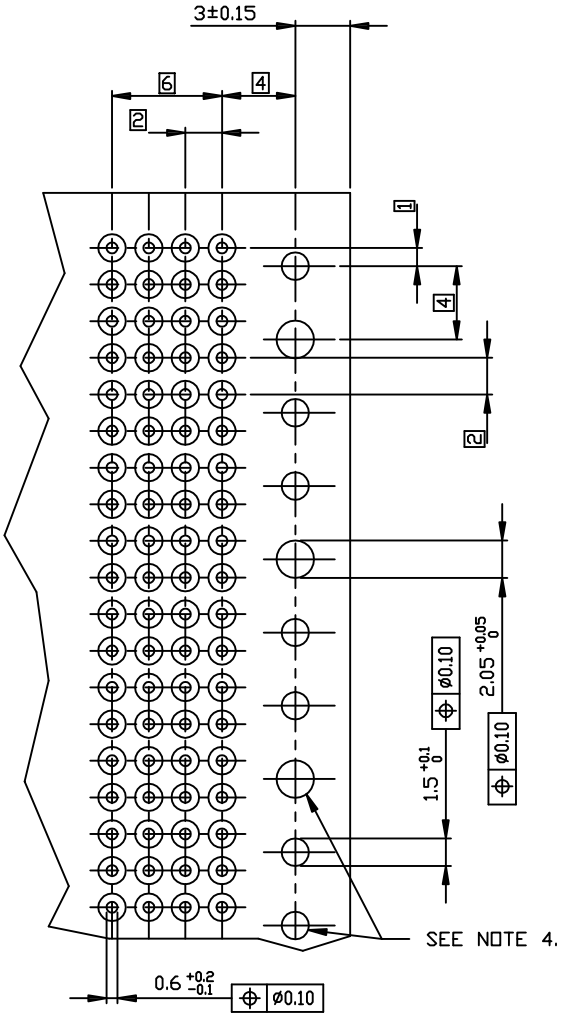
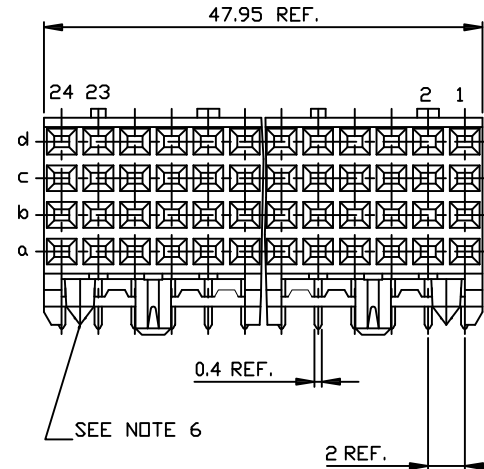
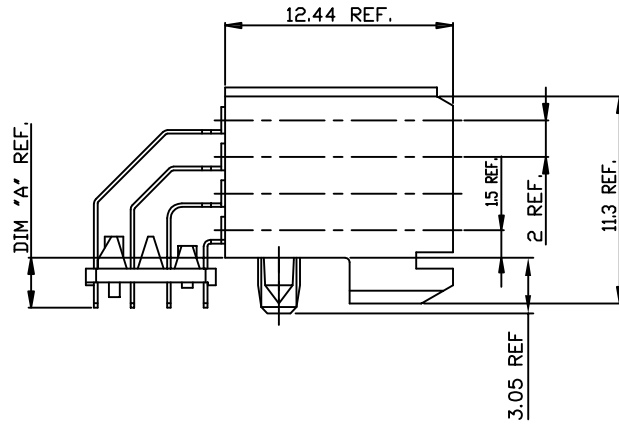
RECOMMENDED HOLE PATTERN, COMPONENT SIDE.

PLATING CONTACT AREA:

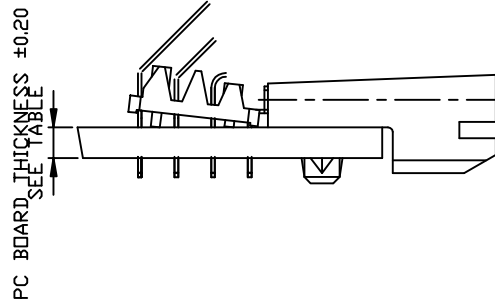
DASH NR:	PERFORMANCE LEVEL:
-1YY/1YYLF	TELCORDIA CO
-2YY/2YYLF	CUSTOMER SPECIAL
-3YY/3YYLF	CUSTOMER SPECIAL
-9YY/9YYLF	TELCORDIA CO

mat'l. code		tolerances unless otherwise specified		CUSTOMER COPY	 www.fciconnect.com
l	tr	ec	n	dr	
linear		projection		title	
angles				RA FEMALE SIGNAL	
dir	Il	de	Bl	970529	product family
engr	P. Schalk	970529	code	213	METRAL(tn)
chr	P. Schalk	970529	size	dwg no	
app	H. Coolmans	970529	scale	5d	89037
sheet	revision	sheet		sheet	
Index	sheet	sheet		sheet	

PC BOARD VERSIONS		
PRODUCTNR:	PCB THICKNESS	DIM"A"
89037-X03/X03LF	1.6	2.90
89037-X13/X13LF	2.4	3.53



PRODUCT AFTER PC BOARD APPLICATION.



NOTES:

- 1 BODY MAT'L: LIQUID CRYSTAL POLYMER 30% GLASS
FLAME RETARDANT ACC. UL 94-V0
- 2 TERMINAL MATERIAL: PHOSPHOR BRONZE.
- 3 PLATING SOLDER TAILS 2-8 um SnPb 90-97 OR 2-8 um PURE Sn
- 4 INDICATED HOLES ARE UNPLATED.
- 5 PRODUCT MARKING: PART NUMBER & BATCH ID.
- 6 DIAMOND LOCATION PEG ARE ONLY EXISTED ON THE BOTH SIDES OF PRODUCT.
- 7 THIS PRODUCT MEETS EUROPEAN UNION DIRECTIVES AND OTHER COUNTRY REGULATIONS AS DESCRIBED IN GS-22-008.
- 8 THE HOUSING WILL WITHSTAND EXPOSURE TO 260 DEGREE PEAK TEMPERATURE FOR 10 SECONDS IN A WAVE SOLDER APPLICATION.

PLATING CONTACT AREA:

DASH NR:	PERFORMANCE LEVEL:
-1YY/1YYLF	TELCORDIA CD
-2YY/2YYLF	CUSTOMER SPECIAL
-3YY/3YYLF	CUSTOMER SPECIAL
-9YY/9YYLF	TELCORDIA CD

mat'l code		tolerances unless otherwise specified		CUSTOMER CDPY		 www.fciconnection.com	
ltr	ecnr	ndr	date	linear	projection	title RA FEMALE SIGNAL	
				angles		48 mm PRESS PEG	
				dir Heaven Cen 11/23/06	mm	product family METRAL(tn)	code 213
				engr Collins Lu 11/23/06	scale 5:1	size/dwg no	sheet 3 of-
				chr Beer Fu 11/23/06		A2 89037	
				app Joseph Hsla 11/23/06			
sheet	revision						
Index	sheet						

All rights strictly reserved. Reproduction or issue in any form without written authority from the proprietor. FCI Inc.