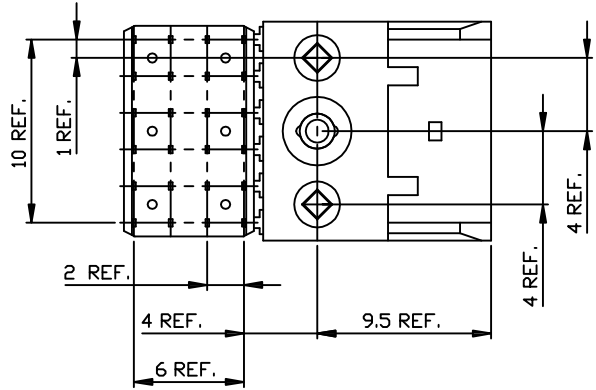
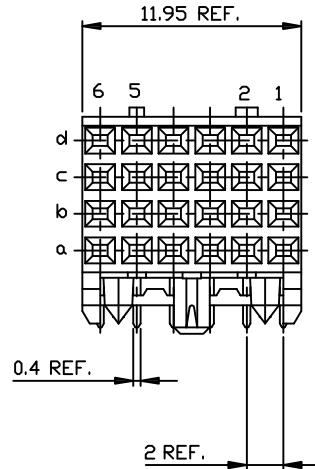
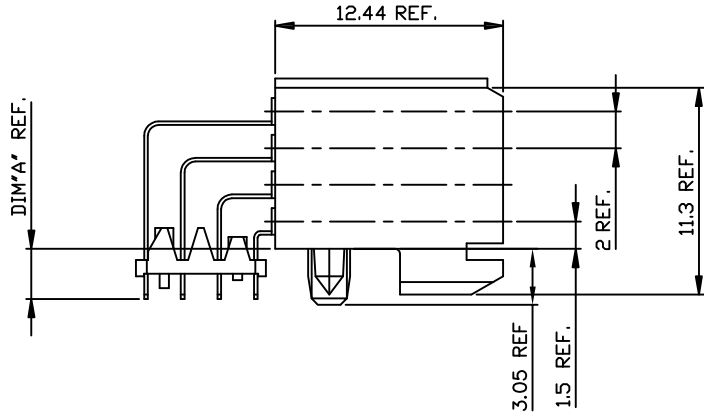
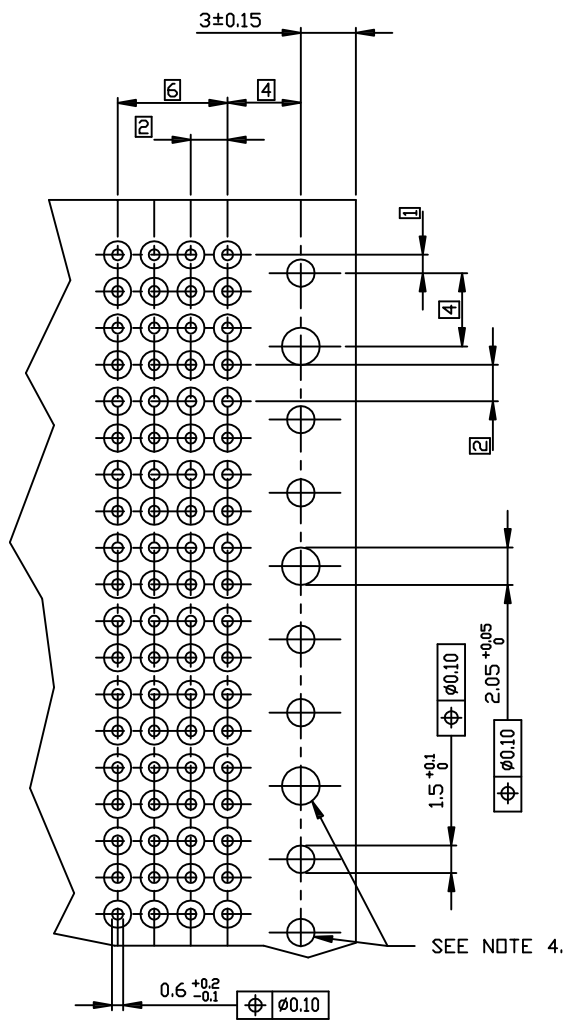
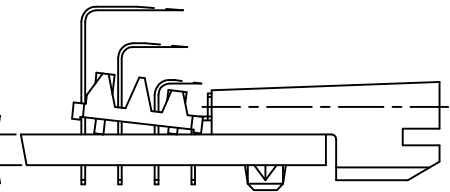


PC BOARD VERSIONS		
PRODUCTNR	PCB THICKNESS	DIM'A'
89035-X01	1.6	2.90
89035-X11	2.4	3.53
89035-X01LF	1.6	2.90
89035-X11LF	2.4	3.53



PRODUCT AFTER PC BOARD APPLICATION.

PC BOARD THICKNESS ±0.20
SEE TABLE



RECOMMENDED HOLE PATTERN, COMPONENT SIDE.

SEE NOTE 4.

- NOTES:
- BODY MAT'L LIQUID CRYSTAL POLYMER 30% GLASS
FLAME RETARDANT ACC. UL 94-V0
 - TERMINAL MATERIAL: PHOSPHOR BRONZE.
 - PLATING SOLDER TAILS 2-8 um SnPb 90-97 OR 2-8 um PURE Sn FOR LEAD FREE.
 - INDICATED HOLES ARE UNPLATED.
 - PRODUCT MARKING: PARTNUMBER & BATCH ID.
 - THIS PRODUCT MEETS EUROPEAN UNION DIRECTIVES AND OTHER COUNTRY REGULATIONS AS DESCRIBED IN GS-22-009
 - THE HOUSING WILL WITHSTAND EXPOSURE TO 260 DEGREE PEAK TEMPERATURE FOR 10 SECONDS IN A WAVE SOLDER APPLICATION.

PLATING CONTACT AREA:

DASH NR:	PERFORMANCE LEVEL
-1YY	TELCORDIA CO
-2YY	CUSTOMER SPECIAL
-3YY	CUSTOMER SPECIAL
-9YY	TELCORDIA CO
-1YYLF	TELCORDIA CO
-2YYLF	CUSTOMER SPECIAL
-3YYLF	CUSTOMER SPECIAL
-9YYLF	TELCORDIA CO

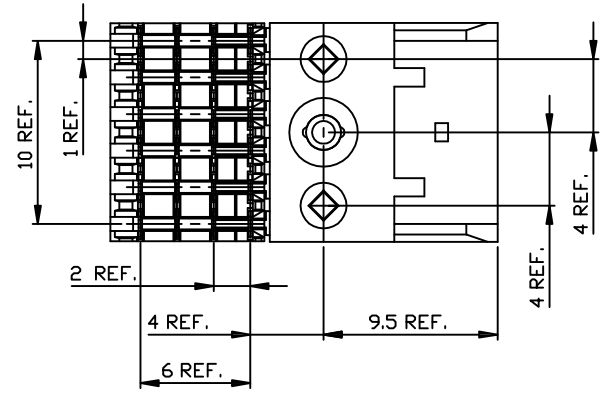
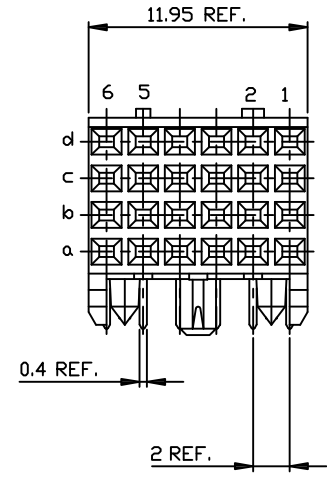
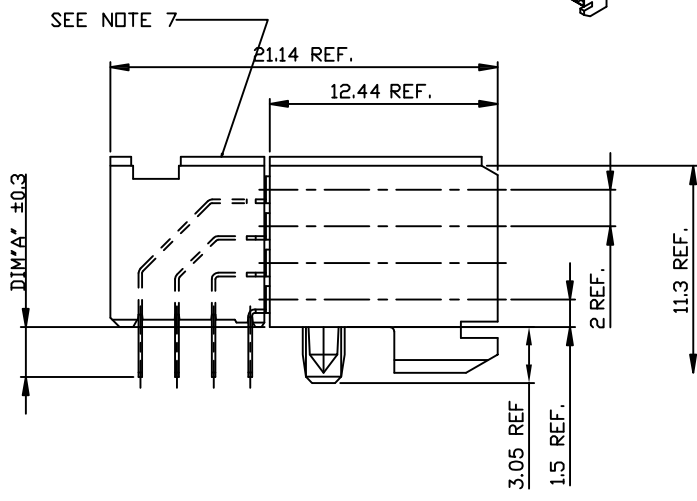
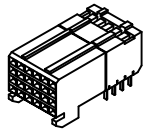
mat'l code		tolerances unless otherwise specified		CUSTOMER CDPY		FCJ	
l	tr	ec	n	o	o	o	o
H	0604-004	CLU	041220	linear	projection	title RA FEMALE SIGNAL	
J	0006-0478	Denh	11/23/06	angles	⊕	12 mm PRESS PEG	
K	0608-0171	Denh	05/25/07			product family	METRAL(tn)
L	0608-0171	TER	8/26/08	engr	H.Boulinegt	921216	code
				engr	H. Boulinegt	940311	size
F	V00578	LLA	000316	chr	P.Schalk	921222	scale
G	V00647	LLA	000530	app	J.Vintjes	921222	5:1
sheet	revision	L	L	L			
Index	sheet	1	2	3			
						product	family
						89035	code
							213
							sheet
							1 of 3

All rights strictly reserved. Reproduction or use in any form without written authority from the proprietor. FCJ Inc.



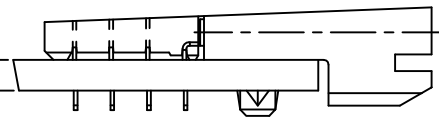
All rights strictly reserved. Reproduction or use in any form without written authority from the proprietor.
 Tous droits strictement réservés. Reproduction ou utilisation en toute forme sans autorisation écrite du propriétaire.
 Propriété de F.C.I. nv.

PC BOARD VERSIONS		
PRODUCTNR.	PCB THICKNESS	DIM'A'
89035-X02	1.6	2.90
89035-X12	2.4	3.53
89035-X02LF	1.6	2.90
89035-X12LF	2.4	3.53

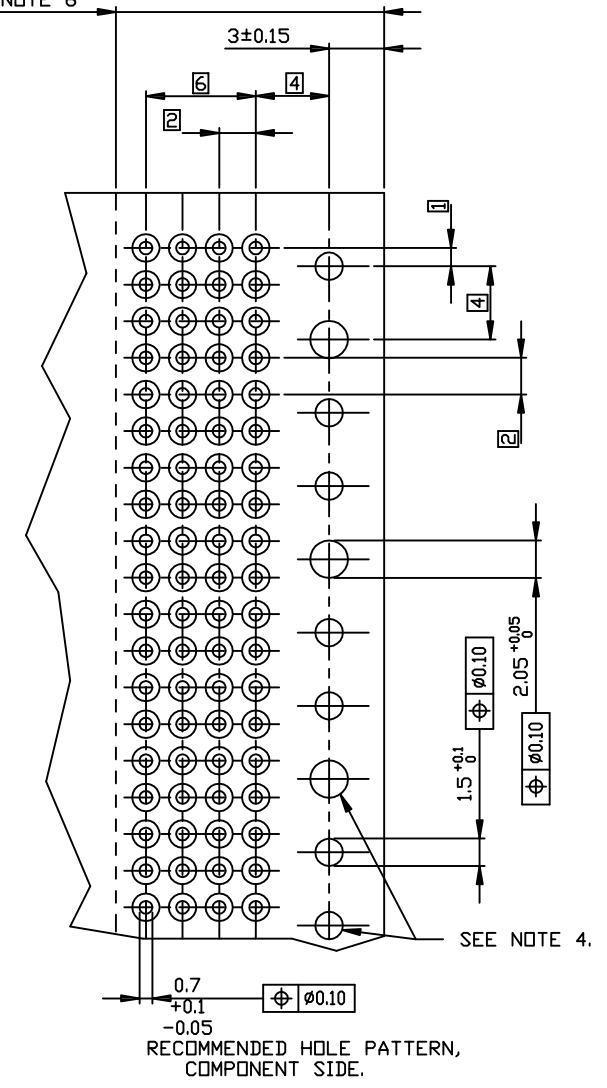


PRODUCT AFTER PC BOARD APPLICATION.

PC BOARD THICKNESS ±0.20
SEE TABLE



14.64 REF. SEE NOTE 6



RECOMMENDED HOLE PATTERN, COMPONENT SIDE.

NOTES:

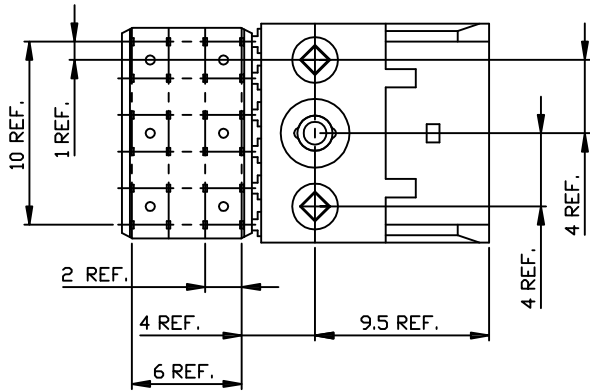
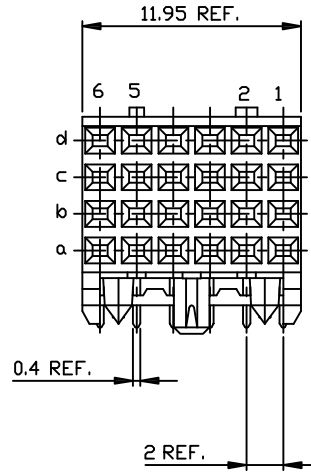
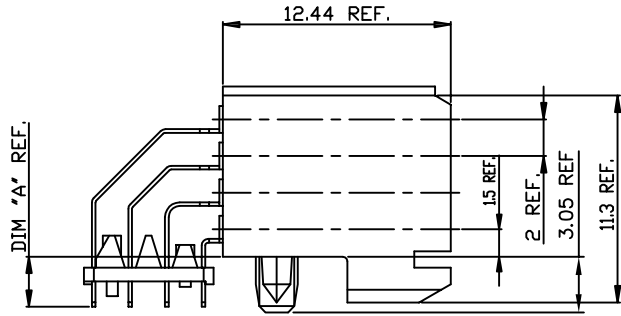
- BODY MAT'L: LIQUID CRYSTAL POLYMER 30% GLASS
FLAME RETARDANT ACC. UL 94-V0
- TERMINAL MATERIAL: PHOSPHOR BRONZE.
- PLATING SOLDER TAILS 2-8 μm SnPb 90-97 OR 2-8 μm PURE Sn
- INDICATED HOLES ARE UNPLATED.
- PRODUCT MARKING: PART NUMBER & BATCH ID.
- SET BACK FOR PRESS BLOCK.
- TOP SURFACE OF PRESS BLOCK MAY EXTEND UP TO 0.4MM HIGHER THAN HOUSING. THIS MAY AFFECT THE TAIL LENGTH BEFORE APPLICATION TO A BOARD.
- THIS PRODUCT MEETS EUROPEAN UNION DIRECTIVES AND OTHER COUNTRY REGULATIONS AS DESCRIBED IN GS-22-008.
- THE HOUSING WILL WITHSTAND EXPOSURE TO 260 DEGREE PEAK TEMPERATURE FOR 10 SECONDS IN A WAVE SOLDER APPLICATION.

PLATING CONTACT AREA:

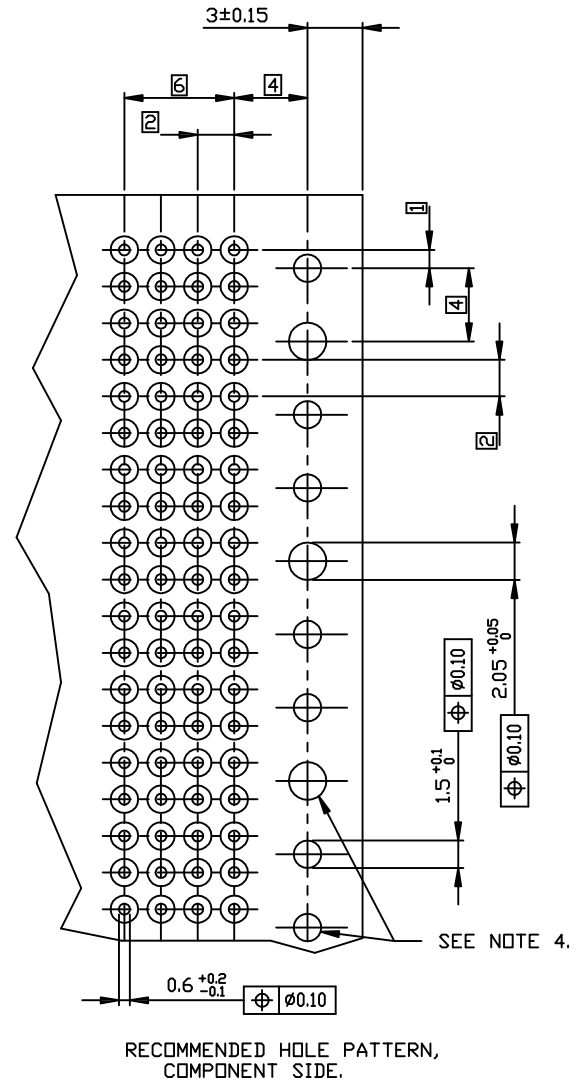
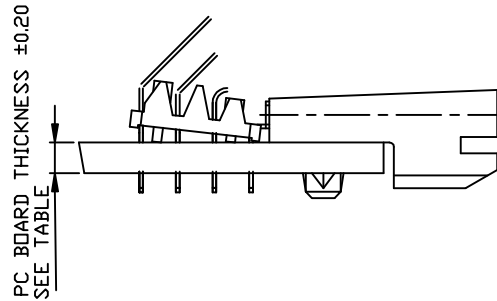
DASH NR:	PERFORMANCE LEVEL
-1YY	TELCORDIA CO
-2YY	CUSTOMER SPECIAL
-3YY	CUSTOMER SPECIAL
-9YY	TELCORDIA CO
-1YYLF	TELCORDIA CO
-2YYLF	CUSTOMER SPECIAL
-3YYLF	CUSTOMER SPECIAL
-9YYLF	TELCORDIA CO

mat'l. code		tolerances unless otherwise specified		CUSTOMER COPY			
l'techn n°dr date		linear		projection		title	
		angles				RA FEMALE SIGNAL 12 mm PRESS PEG	
		dir. D. de Bil 970529		product family METRAL(tn)		code	
		engr. P. Schalk 970529		scale		213	
		chr. P. Schalk 970529		5d1		sheet	
		app. H. Coolmans 970529				2 of -	
sheet revision							
Index sheet							

PC BOARD VERSIONS		
PRODUCTNR	PCB THICKNESS	DIM 'A'
89035-X03	1.6	2.90
89035-X13	2.4	3.53
89035-X03LF	1.6	2.90
89035-X13LF	2.4	3.53



PRODUCT AFTER PC BOARD APPLICATION.



RECOMMENDED HOLE PATTERN, COMPONENT SIDE.

SEE NOTE 4.

NOTES:

- BODY MAT'L: LIQUID CRYSTAL POLYMER 30% GLASS
FLAME RETARDANT ACC. UL 94-V0
- TERMINAL MATERIAL: PHOSPHOR BRONZE.
- PLATING SOLDER TAILS 2-8 um SnPb 90-97 OR 2-8 um PURE Sn FOR LEAD FREE.
- INDICATED HOLES ARE UNPLATED.
- PRODUCT MARKING: PARTNUMBER & BATCH ID.
- THIS PRODUCT MEETS EUROPEAN UNION DIRECTIVES AND OTHER COUNTRY REGULATIONS AS DESCRIBED IN GS-22-008.
- THE HOUSING WILL WITHSTAND EXPOSURE TO 260 DEGREE PEAK TEMPERATURE FOR 10 SECONDS IN A WAVE SOLDER APPLICATION.

PLATING CONTACT AREA:

DASH NR:	PERFORMANCE LEVEL
-1YY	TELCORDIA CO
-2YY	CUSTOMER SPECIAL
-3YY	CUSTOMER SPECIAL
-9YY	TELCORDIA CO
-1YYLF	TELCORDIA CO
-2YYLF	CUSTOMER SPECIAL
-3YYLF	CUSTOMER SPECIAL
-9YYLF	TELCORDIA CO

mat'l. code		tolerances unless otherwise specified		CUSTOMER COPY		FCI	
l	tr	ec	n	o	dr	date	
				linear	projection	title	www.fciconnection.com
				angles	⊕	RA FEMALE SIGNAL	
				dir Heaven Cen 11/23/06	mm	12 mm PRESS PEG	
				engr Collins Lu 11/23/06	product family	METRAL(tm)	code
				chr Beer Fu 11/23/06	size	dwg no	213
				app Joseph Hsle 11/23/06	scale	5d	89035
sheet	revision						sheet
Index							3 of-