

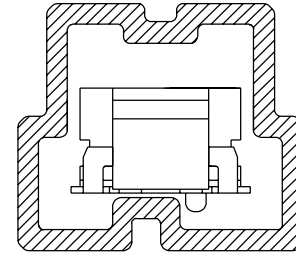
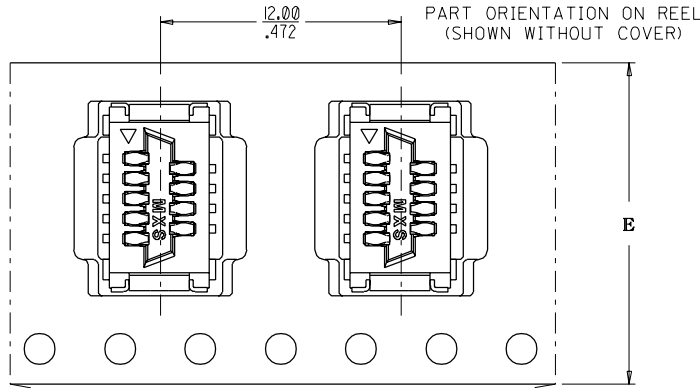
BOTTOM VIEW OF CONNECTOR

3	B
2	B
1	B

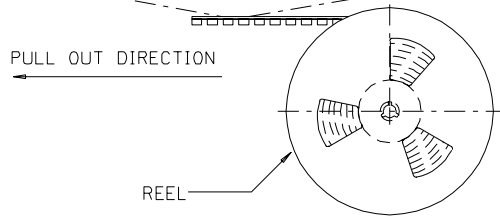
NOTES PLEASE SEE PAGE 3 OF 3

REVISE AS PER EC NO. S2000-0130 DRAWN: REGINA SHAN 010313 CHK: APPR:	DESCRIPTION	QUALITY SYMBOLS	GENERAL TOLERANCES: (UNLESS SPECIFIED)		SCALE	DESIGN UNITS	THIRD ANGLE PROJECTION	DIMENSIONS:		SHT	REV
		MAJOR ▼ = 0	mm	INCH	NTS	<input checked="" type="checkbox"/> mm <input type="checkbox"/> INCH	<input checked="" type="checkbox"/> mm <input type="checkbox"/> INCH	<input type="checkbox"/> mm ONLY	3	B	
		CRITICAL ▽ = 0	4 PLACES ±0. ____ ±. ____		DRAWN BY & DATE REGINA SHAN 000512		TITLE: 1mm BOARD-TO-BOARD SMT RECEPTACLE CONNECTOR ASSEMBLY				
			3 PLACES ±0. ____ ±.008		CHECKED BY & DATE LILY CHANG 000608		APPROVED BY & DATE S. K. TOH 000608				
		2 PLACES ±0.20 ±. ____		APPROVED BY & DATE S. K. TOH 000608		MATERIAL NO. SEE TALBE					
		1 PLACE ±0. ____ ±. ____		CAD FILENAME		DRAWING NO. SD-87433-001		SHEET NO. 1 OF 3		SIZE A3	
		ANGULAR: ± °		THIS DRAWING CONTAINS INFORMATION THAT IS PROPRIETARY TO MOLEX INCORPORATED AND SHOULD NOT BE USED WITHOUT WRITTEN PERMISSION.							

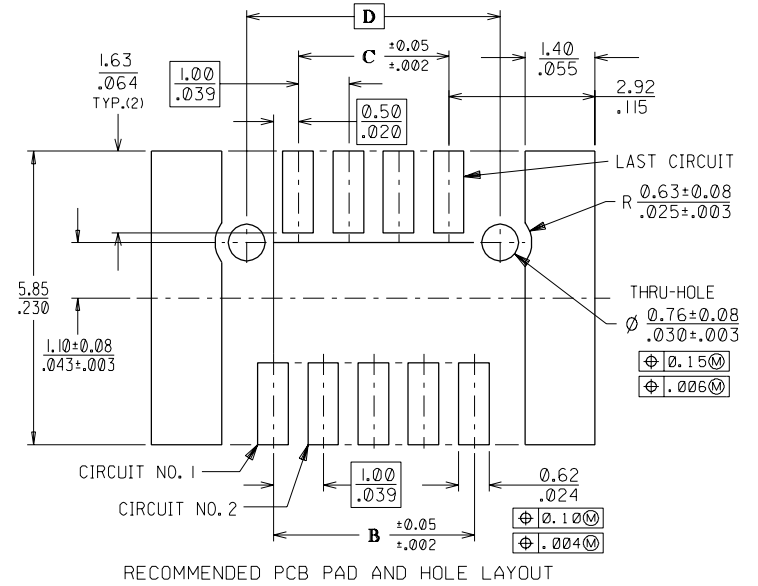
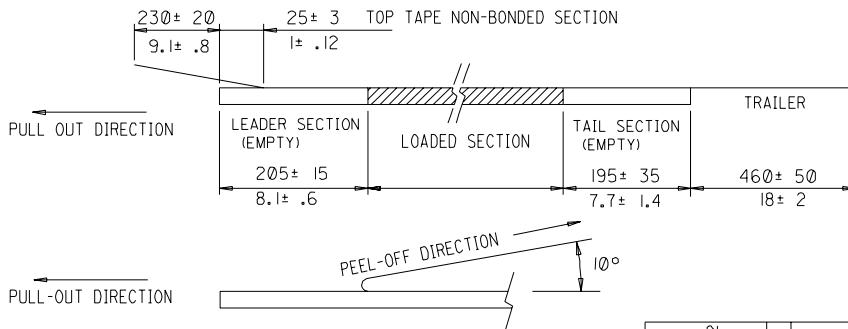
TAPE AND REEL WIDTHS AND HOLE DIMENSIONS CONFORM TO EIA-481 STANDARDS.



PART ORIENTATION IN TUBE



TOP TAPE LEADER



RECOMMENDED PCB PAD AND HOLE LAYOUT

REVISE AS PER EC NO. S2000-0130 DRAWN: REGINA SHAN 010312 CHK: APPR:	DESCRIPTION	QUALITY SYMBOLS	GENERAL TOLERANCES: (UNLESS SPECIFIED)		SCALE NTS	DESIGN UNITS	THIRD ANGLE PROJECTION	DIMENSIONS:	SHT	REV	
		MAJOR ▼ = 0 CRITICAL ▽ = 0	mm	INCH	mm	INCH	mm	mm ONLY	INCH	mm ONLY	REVISE ON CAD ONLY
B	REV	4 PLACES	±0. —	±. —	DRAWN BY & DATE REGINA SHAN 000512		TITLE: 1mm BOARD-TO-BOARD SMT RECEPTACLE CONNECTOR ASSEMBLY				
		3 PLACES	±0. —	±. 008	CHECKED BY & DATE LILY CHANG 000608		MOLEX INCORPORATED CAD FILENAME: NA MATERIAL NO.: SEE TABLE DRAWING NO.: SD-87433-001 SHEET NO.: 2 OF 3				
		2 PLACES	±0. 20	±. —	APPROVED BY & DATE S. K. TOH 000608						
		1 PLACE	±0. —	±. —	ANGULAR: ± °						
		THIS DRAWING CONTAINS INFORMATION THAT IS PROPRIETARY TO MOLEX INCORPORATED AND SHOULD NOT BE USED WITHOUT WRITTEN PERMISSION.								SIZE	A3

8 7 6 5 4 3 3 2 1

NOTES:

1. MATERIALS :HOUSING - GLASS-FILLED LIQUID CRYSTAL POLYMER [LCP],
 COVER - GLASS-FILLED LIQUID CRYSTAL POLYMER [LCP],
 KAPTON TAPE- SILICON POLYMER,ADHESIVE TYPE
 COLOR : AMBER
 INSERTS - COPPER ALLOY
 TERMINALS - COPPER ALLOY
2. FINISH : INSERTS - TIN LEAD ALLOY [SNPB] OVER NICKEL.
 TERMINALS - SELECTIVE GOLD [AU] 0.76 MICRONS (30 MICRO-
 INCHES) MINIMUM IN THE CONTACT AREA.
 SELECTIVE TIN LEAD ALLOY [SNPB] ON THE PC
 TAILS. NICKEL [NI] UNDERCOAT OVERALL.
3. PRODUCT SPECIFICATION : PS - 87433 - 0001
4. PART NO. LEGEND : 8 7 4 3 3 - * * * 0

CIRCUIT SIZE _____
 05 - 9 CIRCUITS 21 - 41 CIRCUITS
 06 - 11 CIRCUITS 26 - 51 CIRCUITS
 08 - 15 CIRCUITS 35 - 69 CIRCUITS
 11 - 21 CIRCUITS
 13 - 25 CIRCUITS
 16 - 31 CIRCUITS

POLARIZING POSTS, PICK-AND-PLACE COVER,
 AND PACKAGING OPTIONS :
 2 - NO POSTS, NO COVER, TUBE PACKAGING
 3 - TWO POSTS, NO COVER, TUBE PACKAGING
 4 - NO POSTS, WITH COVER, TUBE PACKAGING
 5 - TWO POSTS, WITH COVER, TUBE PACKAGING
 6 - NO POSTS, NO COVER, EMBOSSED TAPE AND REEL
 7 - TWO POSTS, NO COVER, EMBOSSED TAPE AND REEL
 8 - NO POSTS, WITH COVER, EMBOSSED TAPE AND REEL
 9 - TWO POSTS, WITH COVER, EMBOSSED TAPE AND REEL

CIRCUIT SIZE _____
 05 - 9 CIRCUITS 21 - 41 CIRCUITS
 06 - 11 CIRCUITS 26 - 51 CIRCUITS
 08 - 15 CIRCUITS 35 - 69 CIRCUITS
 11 - 21 CIRCUITS
 13 - 25 CIRCUITS
 16 - 31 CIRCUITS

POLARIZING POSTS, WITH KAPTON TAPE,
 AND PACKAGING OPTIONS :
 6 - NO POSTS, EMBOSSED TAPE AND REEL
 7 - TWO POSTS, EMBOSSED TAPE AND REEL

PART NUMBER WITH COVER	PART NUMBER WITH KAPTON TAPE	CKT. SIZE	PART QTY. PER REEL	DIMENSIONS				
				A	B	C	D	E
87433-05*0	87433-05*2	9	1000	9.30 .366	4.00 .157	3.00 .118	5.05 .199	16.00 .630
87433-06*0	87433-06*2	11	1000	10.30 .406	5.00 .197	4.00 .157	6.05 .238	24.00 .945
87433-08*0	87433-08*2	15	1000	12.30 .484	7.00 .276	6.00 .236	8.05 .317	24.00 .945
87433-11*0	87433-11*2	21	1000	15.30 .602	10.00 .394	9.00 .354	11.05 .435	24.00 .945
87433-13*0	87433-13*2	25	1000	17.30 .681	12.00 .472	11.00 .433	13.05 .514	32.00 1.260
87433-16*0	87433-16*2	31	1000	20.30 .799	15.00 .591	14.00 .551	16.05 .632	32.00 1.260
87433-21*0	87433-21*2	41	1000	25.30 .996	20.00 .787	19.00 .748	21.05 .829	44.00 1.732
87433-26*0	87433-26*2	51	1000	30.30 1.193	25.00 .984	24.00 .945	26.05 1.026	44.00 1.732
87433-35*0	87433-35*2	69	1000	39.30 1.547	34.00 1.339	33.00 1.299	35.05 1.380	56.00 2.205

REVISE AS PER EC NO. 52000-0130 DRAWN:REGINA SHAN 010312 CHK: APPR:	DESCRIPTION MAJOR ▼ = 0 CRITICAL ▽ = 0	QUALITY SYMBOLS	GENERAL TOLERANCES: (UNLESS SPECIFIED)	SCALE NTS	DESIGN UNITS <input checked="" type="checkbox"/> mm <input type="checkbox"/> INCH	THIRD ANGLE PROJECTION	DIMENSIONS: <input checked="" type="checkbox"/> mm <input type="checkbox"/> INCH <input type="checkbox"/> mm <input type="checkbox"/> mm ONLY	SHT	REV
		4 PLACES ±0.____ ±.____	3 PLACES ±0.____ ±.008	2 PLACES ±0.20 ±.____	1 PLACE ±0.____ ±.____	ANGULAR: ± 0	DRAWN BY & DATE REGINA SHAN 000526	TITLE: 1mm BOARD-TO-BOARD SMT RECEPTACLE CONNECTOR ASSEMBLY	
B	REV				APPROVED BY & DATE S. K. TOH 000608	MOLEX INCORPORATED			
					CAD FILENAME NA	MATERIAL NO. SEE TABLE	DRAWING NO. SD-87433-001	SHEET NO. 3 OF 3	
THIS DRAWING CONTAINS INFORMATION THAT IS PROPRIETARY TO MOLEX INCORPORATED AND SHOULD NOT BE USED WITHOUT WRITTEN PERMISSION.									SIZE A3