

0,76 dia. Pins Straight, Surface Mount & Right Angle  
Double Row

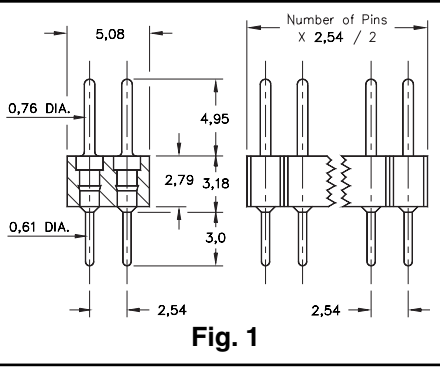


Fig. 1

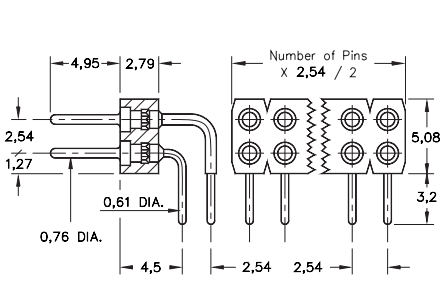


Fig. 2

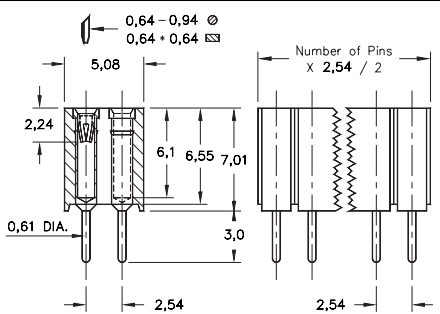


Fig. 3

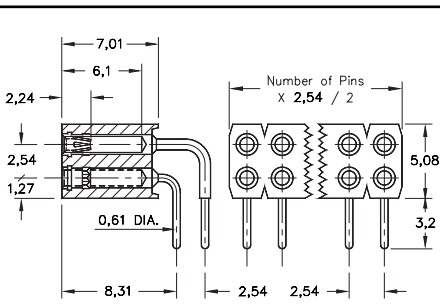


Fig. 4

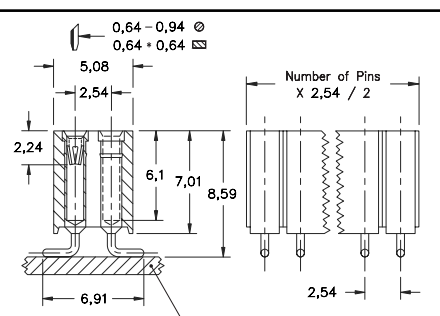
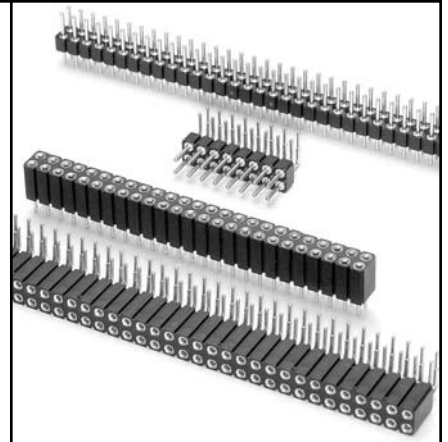


Fig. 5

- Pin interconnects available with straight MM #7007 or right angle MM #5005/5107 solder tails. See page 173 for details.
- Sockets are available with straight MM #1304 or right angle MM #1305/1306 solder tails. See pages 146 & 147 for details.
- MM #1304, #1305 & #1306 receptacles use Hi-Rel, 6-finger BeCu #47 contacts rated at 4.5 amps. Receptacles accept 0,76 diameter and 0,64 square pins. See page 211 for details.
- Insulators are high temp. thermoplastic.



Ordering Information

Fig. 1	Series 802...10-001	Straight Pin Header
	802-XX-0 __ -10-001000	Specify # of pins → 02-64
Fig. 2	Series 802...20-001	Right Angle Pin Header
	802-XX-0 __ -20-001000	Specify # of pins → 02-64



XX= Plating Code See Below

For RoHS compliance select ◇ plating code.

SPECIFY PLATING CODE XX=	10 ◇	90	40 ◇	
Pin Plating	0,25µm Au	5,08µm Sn/Pb	5,08µm Sn	

Fig. 3	Series 803...10-001	Straight Socket
	803-XX-__ -10-001000	Specify # of pins → 002-100
Fig. 4	Series 803...20-001	Right Angle Socket
	803-XX-__ -20-001000	Specify # of pins → 002-100
Fig. 5	Series 803...30-001	Surface Mount Socket
	803-XX-__ -30-001000	Specify # of pins → 002-100



XX= Plating Code See Below

For RoHS compliance select ◇ plating code.

SPECIFY PLATING CODE XX=		93	99	43 ◇	
Sleeve (Pin)		5,08µm Sn/Pb	5,08µm Sn/Pb	5,08µm Sn	
Contact (Clip)		0,76µm Au	5,08µm Sn/Pb	0,76µm Au	