

PRODUCT NUMBER

77313-YXX-XXLF

PLATING SEE SHEET 2

PIN STYLE SEE SHEET 2

WHEN REQUIRED, ADD SUFFIX LETTER "LF" INDICATES THE PRODUCT IS RoHS COMPATIBLE, SEE NOTE 6

TOTAL NB OF POSITIONS 04 TO 72

RETENTION OPTION "R" SEE SHEET 2

PRODUCT NUMBER (BERGSTRIK PACKAGING)

77313-YXX-00LF

PLATING

1= 0.76µm GOLD/GXT ON CONTACT AREA, 2µm TIN MIN ON TAILS

8= 0.38µm GOLD/GXT ON CONTACT AREA, 2µm TIN MIN ON TAILS

4= 2.0µm TIN MIN FULL PLATED

1.27µm NICKEL MIN UNDERLAYER FOR ALL PLATING VERSIONS

INDICATES THE PRODUCT IS RoHS COMPATIBLE, SEE NOTE 6

POSITIONS PER REEL : 00=45,000 (BERGSTRIK)

PIN STYLE	MATING	SOLDER	OAL
01	5.84	2.41	10.8
02	5.84	3.42	11.8
18	5.84	3.05	11.43
22	7.75	3.05	13.35
24	6.75	2.9	12.2
27	6.6	2.66	11.8

NOTES:

- HOUSING MAT'L : HIGH TEMPERATURE THERMOPLASTIC. UL94V-0 COLOR: BLACK
- PIN MATERIAL : PHOSPHOR BRONZE
- BERGSTRIK PRODUCT PACKAGED IN POLY BAGS. BERGSTRIK PRODUCT PACKAGED PER REELS.
- 9N MIN RETENTION IN EITHER DIRECTION
- TO DETERMINE DIMENSIONS :  
N = NUMBER OF POSITIONS PER ROW  
EXAMPLE : 8 POS N x 2.54 = 20.32mm
- RoHS COMPATIBLE PRODUCT SPECIFICATIONS

a - PLATING:

- "LF" MEANS THE PRODUCT IS LEAD-FREE, 2µm MINIMUM MATTE TIN OVER 1.27µm MINIMUM NICKEL UNDERPLATE.

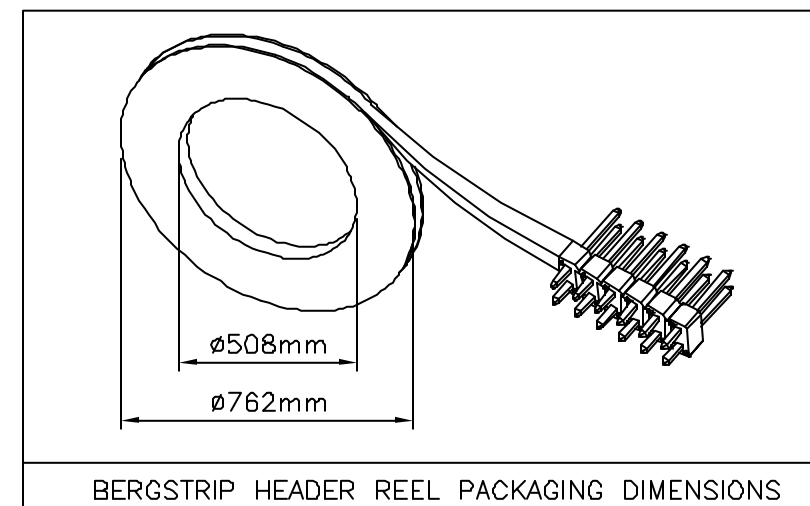
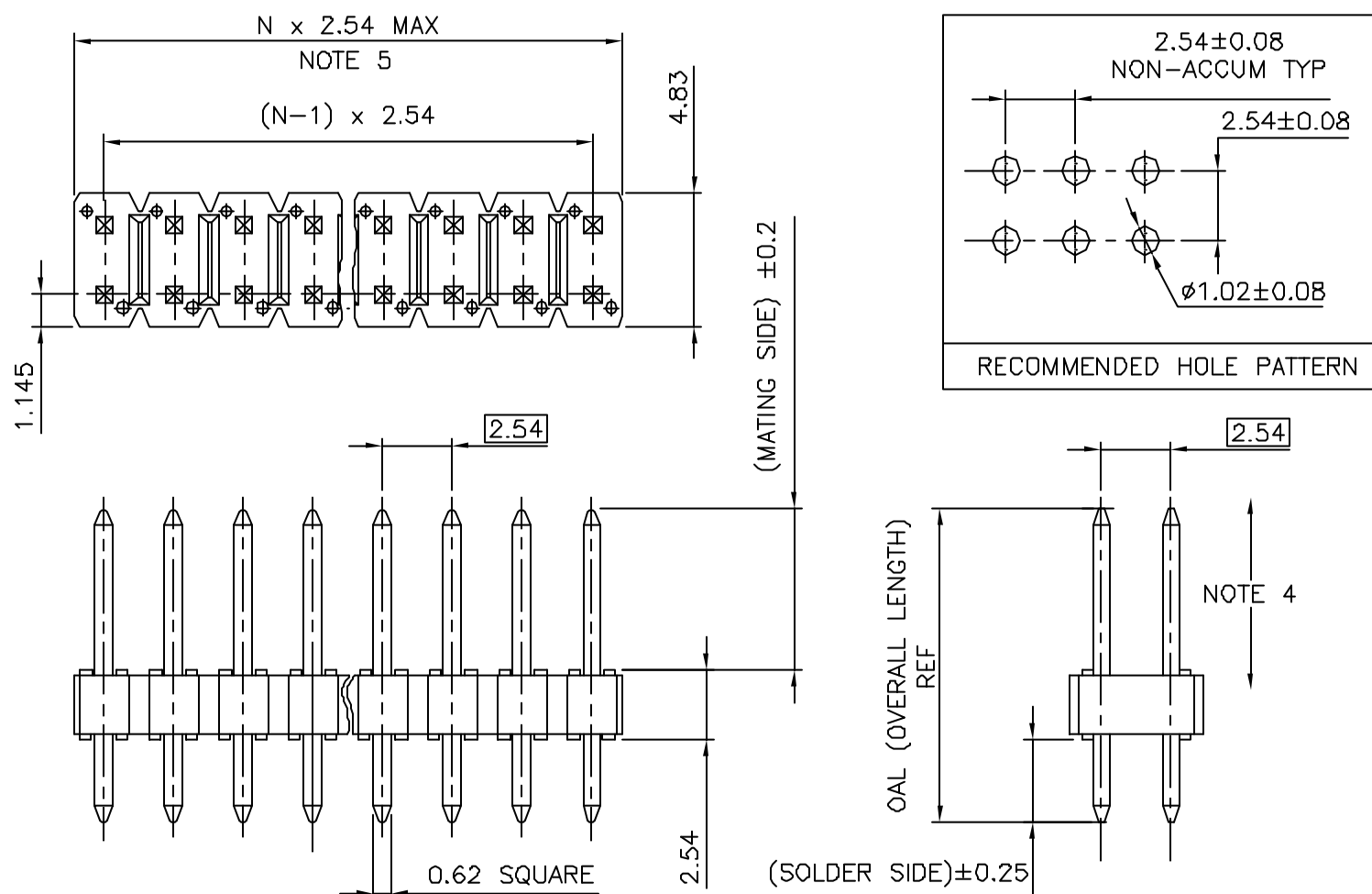
b - MANUFACTURING PROCESS COMPATIBILITY

- THE HOUSING WILL WITHSTAND EXPOSURE TO 260°C ±5°C SOLDER BATH TEMPERATURE FOR 5 SECONDS IN A WAVE SOLDER APPLICATION WITH A 1.6mm MIN THICK CIRCUIT BOARD.

c - LABELING:

- MEETS PACKAGING SPECS AS PER GS-14-920

d - LEGAL STATEMENT: SEE GS-22-008



mat'l. code		surface		tolerance		projection		product family	
SEE NOTES		ISO 1302 ✓		ISO 416 ISO 1101		mm		BERGSTIK	
ltr	ecn na dr date	tolerances unless otherwise specified		Linear		mm		title	
AY	F07-0114 LMU 07.01.24	x ±0.3						UNSHR.HEADER	
BA	F07-0125 LMU 07.02.05	xx ±0.15						STR DR TMT	
BB	F07-0155 J.CO 07.03.15	xxx ±0.05				scale 5:1		dwg no	
BC	F07-0225 LMU 07.06.25	dr	D.LE	01.01.24			sheet 1 of 2		size
BD	F08-0148 RTR 08.03.31	enr	JM.C	01.01.24			77313		A3
BE	F08-0205 LMU 08.07.24	chr	JM.C	01.01.24			type		Drawing
		appd	JF.N	01.01.24			CUSTOMER		
sheet index	revision	BE	AX						
	sheet	1	2						



Copyright FCI

CORE RANGE				
PLATING	PIN STYLE	MATING	SOLDER	OAL
1	01	5.84	2.41	10.8
1	18	5.84	3.05	11.43

PLATING  
 1 = 0.76µm GOLD/GXT ON CONTACT AREA  
 3.81µm TIN-LEAD ON TAIL  
 - WHEN "LF" IS REQUIRED, 2µm MATTE TIN OVER 1.27µm MIN NICKEL IS PROVIDED INSTEAD OF TIN-LEAD

CATALOGUE RANGE				
PLATING	PIN STYLE	MATING	SOLDER	OAL
4/8	01	5.84	2.41	10.8
1/4/8	02	5.84	3.42	11.8
4/8	18	5.84	3.05	11.43
1/4/8	22	7.75	3.05	13.35
1/4/8	24	6.75	2.9	12.2
1/4/8	27	6.6	2.65	11.8

PLATING  
 1 = 0.76µm GOLD/GXT ON CONTACT AREA  
 3.81µm TIN-LEAD ON TAIL  
 4 = 3.81µm TIN-LEAD ON CONTACT AREA AND ON TAIL  
 8 = 0.38µm GOLD/GXT ON CONTACT AREA  
 3.81µm TIN-LEAD ON TAIL  
 - WHEN "LF" IS REQUIRED, 2µm MATTE TIN OVER 1.27µm MIN NICKEL IS PROVIDED INSTEAD OF TIN-LEAD

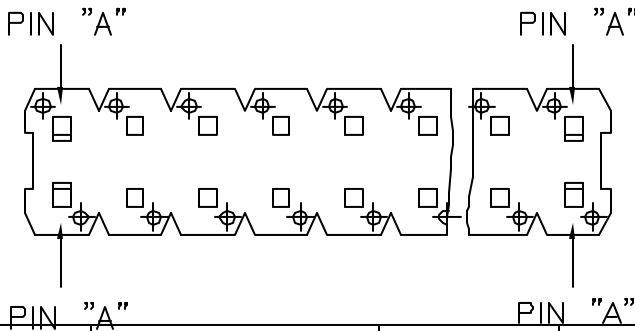
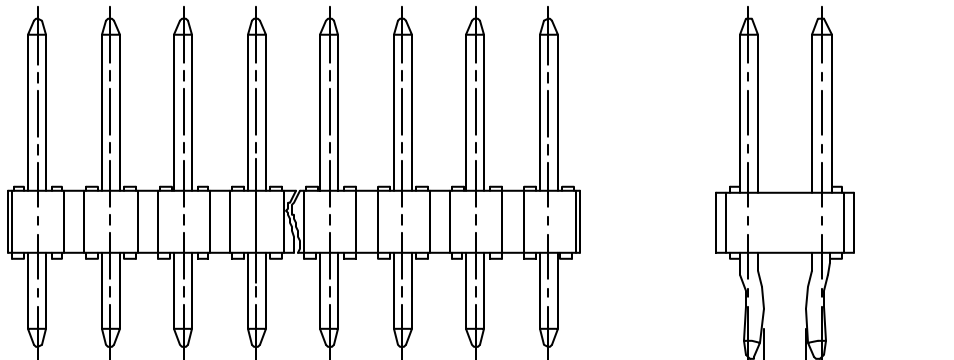
APPLICATION SPECIFIC				
PLATING	PIN STYLE	MATING	SOLDER	OAL
1/4/8	03	5.72	5.09	13.35
1/4/8	15	8.51	2.55	13.6
1/4/8	19	12.83	3.03	18.4
1/4/8	20	15.37	3.04	20.95
1/4/8	29	17.46	3.50	23.5
1/4/8	38	5.84	3.82	12.20
1/4/8	46	8.08	2.98	13.6
1/4/8	52	9.5	3.05	15.09
1/4/8	57	8.46	3.05	14.05
1/4/8	58	14.47	3.05	20.06
1/4/8	85	10.5	2.9	15.9
1/4/8	87	6.98	3.05	12.57
1/4/8	89	6.93	5.00	14.47
1/4/8	90	6.75	4.05	13.34
1/4/8	91	5.60	10.21	18.4
1/4/8	92	5.65	12.76	20.95
1/4/8	93	6.00	4.81	13.35
1/4/8	94	9.65	2.90	15.09

PLATING  
 1 = 0.76µm GOLD/GXT ON CONTACT AREA  
 3.81µm TIN-LEAD ON TAIL  
 4 = 3.81µm TIN-LEAD ON CONTACT AREA AND ON TAIL  
 8 = 0.38µm GOLD/GXT ON CONTACT AREA  
 3.81µm TIN-LEAD ON TAIL  
 - WHEN "LF" IS REQUIRED, 2µm MATTE TIN OVER 1.27µm MIN NICKEL IS PROVIDED INSTEAD OF TIN-LEAD

NOTES:

- PART NUMBER 77313-YXXRXX(LF)
- 4 PINS "A" USED FOR RETENTION  
DIRECTION OF RETENTION SHOWN BY ARROWS  
PIN "A" AT EACH END OF HEADER.
- FOR RETENTION OPTION , SOLDER TAIL LENGTH TO BE 2.9 MIN UP TO 3.5 MAX.

RETENTION OPTION



mat'l. code		surface ISO 1302		tolerance ISO 406 ISO 1101		projection		product family BERGSTIK	
ltr	ecn no	dr	date	tolerances unless otherwise specified		mm		title UNSHR.HEADER STR DR TMT	
AW	F08-0148	RTR	08.03.31	angles	linear	scale N/A		dwg no 77313 sheet 2 of - size A3	
AX	F08-0205	LMU	08.07.24			FCJ		type CUSTOMER Drawing	
AT	F07-0110	LMU	07.01.17	dr	D.LE	01.01.24			
AU	F07-0114	LMU	07.01.24	enrg	JM.C	01.01.24			
AV	F07-0125	LMU	07.02.05	chr	JM.C	01.01.24			
				appd	JF.N	01.01.24			
sheet index	revision sheet								



Copyright FCI