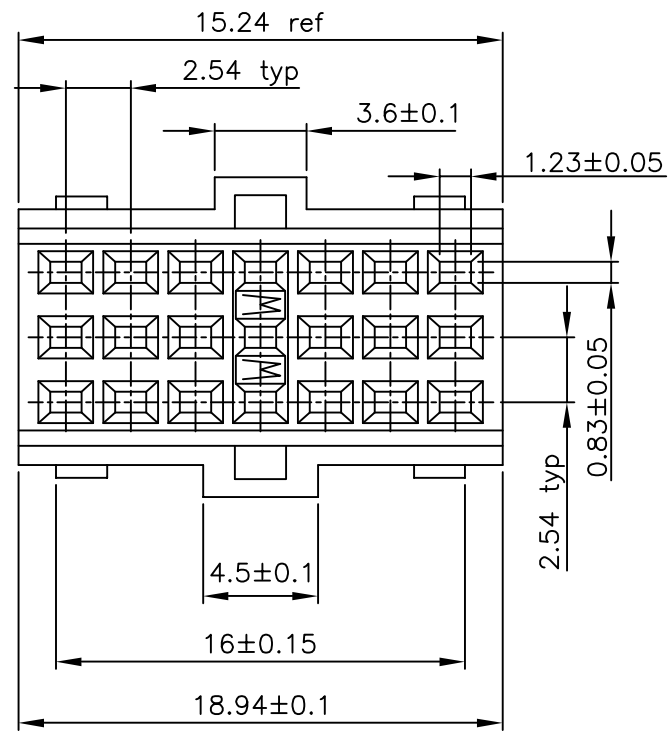
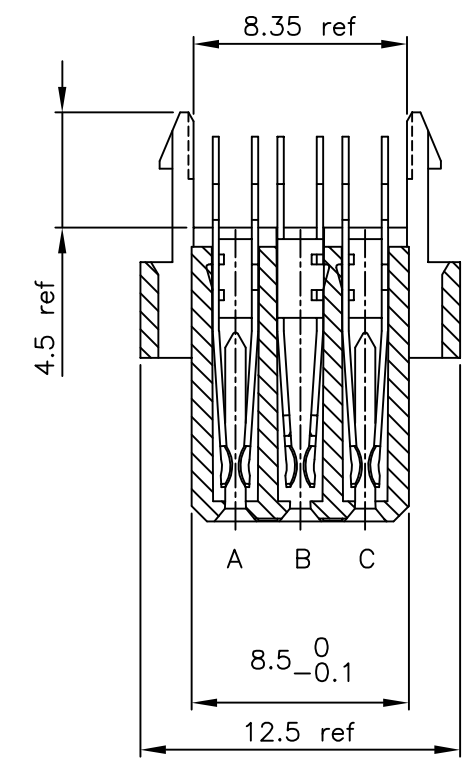
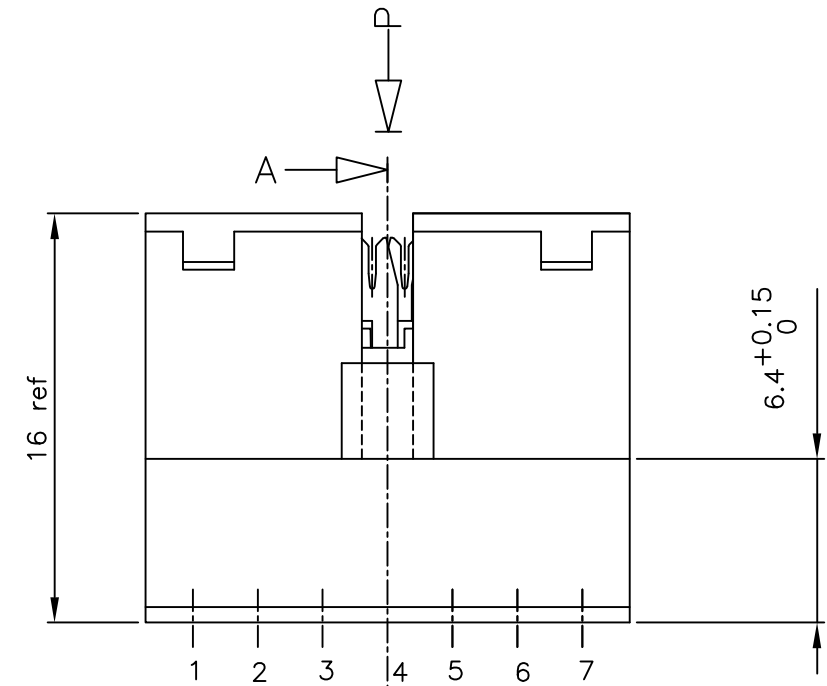


Product number	Loading view P						
	ROW	1	3	5	7		
75853-1YZ	a	X	X	X	X		
	b	X	X	X	X		
	c	X	X	X	X		
75853-2YZ	a	X	X	X	X		
	b	X	X	X	X		
	c	X	X	X	X		
75853-3YZ	a	X	X	X	X		
	b	X	X	X	X		
	c	X	X	X	X		
75853-4YZ	a	X	X	X	X		
	b	X	X	X	X		
	c	X	X	X	X		
75853-5YZ	a	X			X		
	b	X			X		
	c	X			X		
75853-6YZ	a	X	X	X	X		
	b	X	X	X	X		
	c	X	X	X	X		
75853-7YZ	a	X			X		
	b	X			X		
	c	X			X		
75853-8YZ	a	X			X		
	b	X			X		
	c	X			X		
75853-9YZ	a	X	X	X	X		
	b	X	X	X	X		
	c	X	X	X	X		

75853-X52	30	1.25 um Au min over 3.0 um Ni	0.1-0.2 um Ni
75853-X51	26	1.25 um Au min over 3.0 um Ni	0.1-0.2 um Ni
75853-X42	30	2.0 um Au min over 3.0 um Ni	0.1-0.2 um Ni
75853-X41	26	2.0 um Au min over 3.0 um Ni	0.1-0.2 um Ni
75853-X22	30	0.5 um Au min over 3.0 um Ni	0.1-0.2 um Ni
75853-X21	26	0.5 um Au min over 3.0 um Ni	0.1-0.2 um Ni
75853-X12	30	1.0 um Au min over 3.0 um Ni	0.1-0.2 um Ni
75853-X11	26	1.0 um Au min over 3.0 um Ni	0.1-0.2 um Ni
75853-X02	30	3.0 um Au min over 3.0 um Ni	0.1-0.2 um Ni
75853-X01	26	3.0 um Au min over 3.0 um Ni	0.1-0.2 um Ni
PRODUCT CODE YZ	CODE WW see note 3	PLATING CONTACT AREA	PLATING PIERCING AREA



- NOTES:
- 1.MATERIAL HOUSING: POLYESTER 30% GLASS FILLED COLOUR GREY, FLAME RETARDANT PER UL-94-V0
 - 2.MATERIAL CONTACT: PHOSPHOR BRONZE
 - 3.CODE WW ON LEAD IN SIDE OF HOUSING APPLIES TO PIERCING TERMINAL IN RELATION TO AWG SIZE
 - 4.FOR CABLE APPLICATION SEE TA 301
 - 5."LF" SUFFIX TO THE PRODUCT NUMBER FOR LEAD FREE OR RoHS COMPATIBLE PRODUCTS.

NOTE:

1. THIS "LF" PRODUCT MEETS EUROPEAN UNION DIRECTIVES AND OTHER COUNTRY REGULATIONS AS DESCRIBED IN GS-22-008.
2. LEAD FREE OR RoHS DIRECTIVE LABELING TO BE PROVIDED AS PER GS-14-920 FOR LEAD FREE VERSION.

ltr	ecn no	dr	date	surface	tolerance	projection	product family
D	H00085	MVI	1990-02-23	ISO 1302	ISO 406 ISO 101	101	BACKPANEL
E	H20154	MVI	1992-03-13	tolerances unless otherwise specified	linear	mm	CableConnector ASSEMBLY 3x7 POS.
F	H20166	MVI	1992-03-31			scale -	
G	H20421	MVI	1992-06-18		M. Visschers	1992-03-13	dwg no
H	005-0123	MINI	2005-07-27	engr			sheet 1 of 1 size
J	006-0082	MINI	2006-06-01	chr	RAKHEE GEORGE	2006-06-01	75853
				app	RAKHEE GEORGE	2006-06-01	A2
sheet index	revision sheet	J	1				type CUSTOMER Drawing

Copyright FCJ
FCJconnect.com