

FEATURES

- 34 MHz Full Power Bandwidth
- ±0.1 dB Gain Flatness to 8 MHz
- 72 dB Crosstalk Rejection @ 10 MHz
- 0.03°/0.01% Differential Phase/Gain
- Cascadable for Switch Matrices
- MIL-STD-883 Compliant Versions Available

APPLICATIONS

- Video Routing
- Medical Imaging
- Electro Optics
- ECM Systems
- Radar Systems
- Data Acquisition

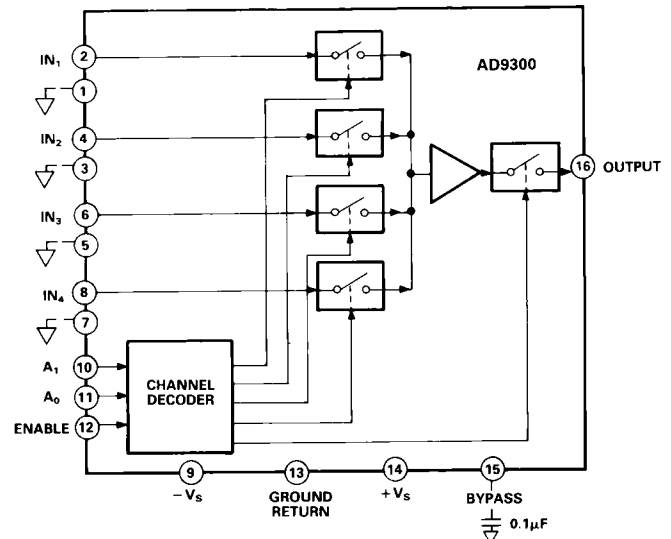
GENERAL DESCRIPTION

The AD9300 is a monolithic high speed video signal multiplexer usable in a wide variety of applications.

Its four channels of video input signals can be randomly switched at megahertz rates to the single output. In addition, multiple devices can be configured in either parallel or cascade arrangements to form switch matrices. This flexibility in using the AD9300 is possible because the output of the device is in a high-impedance state when the chip is not enabled; when the chip is enabled, the unit acts as a buffer with a high input impedance and low output impedance.

An advanced bipolar process provides fast, wideband switching capabilities while maintaining crosstalk rejection of 72 dB at 10 MHz. Full power bandwidth is a minimum 27 MHz. The device can be operated from ±10 V to ±15 V power supplies.

FUNCTIONAL BLOCK DIAGRAM (Based on Cerdip)

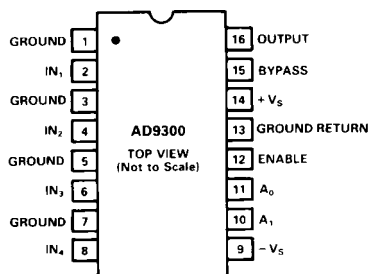


The AD9300K is available in a 16-pin ceramic DIP and a 20-pin PLCC and is designed to operate over the commercial temperature range of 0°C to +70°C. The AD9300TQ is a hermetic 16-pin ceramic DIP for military temperature range (-55°C to +125°C) applications. This part is also available processed to MIL-STD-883. The AD9300 is available in a 20-pin LCC as the model AD9300TE, which operates over a temperature range of -55°C to +125°C.

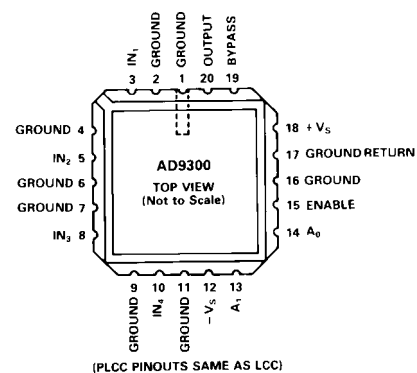
The AD9300 Video Multiplexer is available in versions compliant with MIL-STD-883. Refer to the Analog Devices *Military Products Databook* or current AD9300/883B data sheet for detailed specifications.

PIN DESIGNATIONS

DIP



LCC and PLCC



REV. A

Information furnished by Analog Devices is believed to be accurate and reliable. However, no responsibility is assumed by Analog Devices for its use, nor for any infringements of patents or other rights of third parties which may result from its use. No license is granted by implication or otherwise under any patent or patent rights of Analog Devices.

AD9300—SPECIFICATIONS

ELECTRICAL CHARACTERISTICS ($\pm V_S = \pm 12\text{ V} \pm 5\%$; $C_L = 10\text{ pF}$; $R_L = 2\text{ k}\Omega$, unless otherwise noted)

Parameter (Conditions)	Temp	Test Level	COMMERCIAL 0°C to +70°C AD9300KQ/KP			Units
			Min	Typ	Max	
INPUT CHARACTERISTICS						
Input Offset Voltage	+25°C	I		3	10	mV
Input Offset Voltage	Full	VI			14	mV
Input Offset Voltage Drift ²	Full	V		75		$\mu\text{V}/^\circ\text{C}$
Input Bias Current	+25°C	I		15	37	μA
Input Bias Current	Full	VI			55	μA
Input Resistance	+25°C	V		3.0		M Ω
Input Capacitance	+25°C	V		2		pF
Input Noise Voltage (dc to 8 MHz)	+25°C	V		16		$\mu\text{V rms}$
TRANSFER CHARACTERISTICS						
Voltage Gain ³	+25°C	I	0.990	0.994		V/V
Voltage Gain ³	Full	VI	0.985			V/V
DC Linearity ⁴	+25°C	V		0.01		%
Gain Tolerance ($V_{IN} = \pm 1\text{ V}$)						
dc to 5 MHz	+25°C	I		0.05	0.1	dB
5 MHz to 8 MHz	+25°C	I		0.1	0.3	dB
Small-Signal Bandwidth ($V_{IN} = 100\text{ mV p-p}$)	+25°C	V		350		MHz
Full Power Bandwidth ⁵ ($V_{IN} = 2\text{ V p-p}$)	+25°C	I	27	34		MHz
Output Swing	Full	VI	± 2			V
Output Current (Sinking @ = +25°C)	+25°C	V		5		mA
Output Resistance	+25°C	IV, V		9	15	Ω
DYNAMIC CHARACTERISTICS						
Slew Rate ⁶	+25°C	I	170	215		V/ μs
Settling Time (to 0.1% on $\pm 2\text{ V}$ Output)	+25°C	IV		70	100	ns
Overshoot						
To T-Step ⁷	+25°C	V		<0.1		%
To Pulse ⁸	+25°C	V		<10		%
Differential Phase ⁹	+25°C	IV		0.03	0.1	$^\circ$
Differential Gain ⁹	+25°C	IV		0.01	0.1	%
Crosstalk Rejection						
Three Channels ¹⁰	+25°C	IV	68	72		dB
One Channel ¹¹	+25°C	IV	70	76		dB
SWITCHING CHARACTERISTICS¹²						
A_X Input to Channel HIGH Time ¹³ (t_{HIGH})	+25°C	I		40	50	ns
A_X Input to Channel LOW Time ¹⁴ (t_{LOW})	+25°C	I		35	45	ns
Enable to Channel ON Time ¹⁵ (t_{ON})	+25°C	I		35	45	ns
Enable to Channel OFF Time ¹⁶ (t_{OFF})	+25°C	I		35	45	ns
Switching Transient ¹⁷	+25°C	V		60		mV
DIGITAL INPUTS						
Logic "1" Voltage	Full	VI	2			V
Logic "0" Voltage	Full	VI			0.8	V
Logic "1" Current	Full	VI			5	μA
Logic "0" Current	Full	VI			1	μA
POWER SUPPLY						
Positive Supply Current (+12 V)	+25°C	I		13	16	mA
Positive Supply Current (+12 V)	Full	VI		13	16	mA
Negative Supply Current (-12 V)	+25°C	I		12.5	15	mA
Negative Supply Current (-12 V)	Full	VI		12.5	16	mA
Power Supply Rejection Ratio ($\pm V_S = \pm 12\text{ V} \pm 5\%$)	Full	VI	67	75		dB
Power Dissipation ($\pm 12\text{ V}$) ¹⁸	+25°C	V		306		mW

NOTES

- ¹Permanent damage may occur if any one absolute maximum rating is exceeded. Functional operation is not implied, and device reliability may be impaired by exposure to higher-than-recommended voltages for extended periods of time.
- ²Measured at extremes of temperature range.
- ³Measured as slope of V_{OUT} versus V_{IN} with $V_{IN} = \pm 1$ V.
- ⁴Measured as worst deviation from endpoint fit with $V_{IN} = \pm 1$ V.
- ⁵Full Power Bandwidth (FPBW) based on Slew Rate (SR). $FPBW = SR/2\pi V_{PEAK}$
- ⁶Measured between 20% and 80% transition points of ± 1 V output.
- ⁷T-Step = $\text{Sin}^2 \times \text{Step}$, when Step between 0 V and +700 mV points has 10% to 90% risetime = 125 ns.
- ⁸Measured with a pulse input having slew rate >250 V/ μ s.
- ⁹Measured at output between 0.28 V dc and 1.0 V dc with $V_{IN} = 284$ mV p-p at 3.58 MHz and 4.43 MHz.
- ¹⁰This specification is critically dependent on circuit layout. Value shown is measured with selected channel grounded and 10 MHz 2 V p-p signal applied to remaining three channels. If selected channel is grounded through 75 Ω , value is approximately 6 dB higher.
- ¹¹This specification is critically dependent on circuit layout. Value shown is measured with selected channel grounded and 10 MHz 2 V p-p signal applied to one other channel. If selected channel is grounded through 75 Ω , value is approximately 6 dB higher. Minimum specification in () applies to DIPs.
- ¹²Consult system timing diagram.
- ¹³Measured from address change to 90% point of -2 V to +2 V output LOW-to-HIGH transition.
- ¹⁴Measured from address change to 90% point of +2 V to -2 V output HIGH-to-LOW transition.
- ¹⁵Measured from 50% transition point of ENABLE input to 90% transition of 0 V to -2 V and 0 V to +2 V output.
- ¹⁶Measured from 50% transition point of ENABLE input to 10% transition of +2 V to 0 V and -2 V to 0 V output.
- ¹⁷Measured while switching between two grounded channels.
- ¹⁸Maximum power dissipation is a package-dependent parameter related to the following typical thermal impedances:
 16-Pin Ceramic $\theta_{JA} = 87^\circ\text{C/W}$; $\theta_{JC} = 25^\circ\text{C/W}$
 20-Pin LCC $\theta_{JA} = 74^\circ\text{C/W}$; $\theta_{JC} = 10^\circ\text{C/W}$
 20-Pin PLCC $\theta_{JA} = 71^\circ\text{C/W}$; $\theta_{JC} = 26^\circ\text{C/W}$

Specifications subject to change without notice.

ABSOLUTE MAXIMUM RATINGS¹

Supply Voltages ($\pm V_S$)	± 16 V
Analog Input Voltage Each Input (IN_1 thru IN_4)	± 3.5 V
Differential Voltage Between Any Two Inputs (IN_1 thru IN_4)	5 V
Digital Input Voltages (A_0 , A_1 , ENABLE)	-0.5 V to +5.5 V
Output Current	
Sinking	6.0 mA
Sourcing	6.0 mA
Operating Temperature Range	
AD9300KQ/KP	0°C to +70°C
Storage Temperature Range	-65°C to +150°C
Junction Temperature	+175°C
Lead Soldering (10 sec)	+300°C

EXPLANATION OF TEST LEVELS

- Test Level I - 100% production tested.
- Test Level II - 100% production tested at +25°C, and sample tested at specified temperatures.
- Test Level III - Sample tested only.
- Test Level IV - Parameter is guaranteed by design and characterization testing.
- Test Level V - Parameter is a typical value only.
- Test Level VI - All devices are 100% production tested at +25°C. 100% production tested at temperature extremes for military temperature devices; sample tested at temperature extremes for commercial/industrial devices.

ORDERING GUIDE

Device	Temperature Range	Description	Package Option ¹
AD9300KQ	0°C to +70°C	16-Pin Cerdip, Commercial	Q-16
AD9300TE/883B ²	-55°C to +125°C	20-Pin LCC, Military Temperature	E-20A
AD9300TQ/883B ²	-55°C to +125°C	16-Pin Cerdip, Military Temperature	Q-16
AD9300KP	0°C to +70°C	20-Pin PLCC, Commercial	P-20A

NOTES

- ¹E = Ceramic Leadless Chip Carrier; P = Plastic Leaded Chip Carrier; Q = Cerdip.
- ²For specifications, refer to Analog Devices *Military Products Databook*.

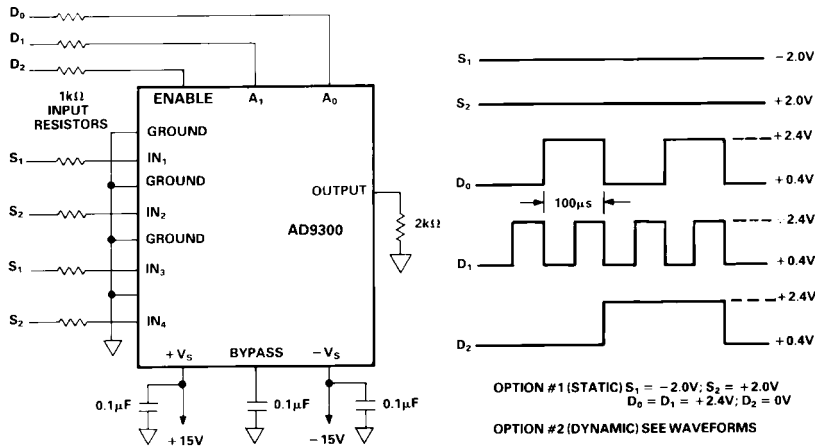
CAUTION

ESD (electrostatic discharge) sensitive device. Electrostatic charges as high as 4000 V readily accumulate on the human body and test equipment and can discharge without detection. Although the AD9300 features proprietary ESD protection circuitry, permanent damage may occur on devices subjected to high energy electrostatic discharges. Therefore, proper ESD precautions are recommended to avoid performance degradation or loss of functionality.



AD9300

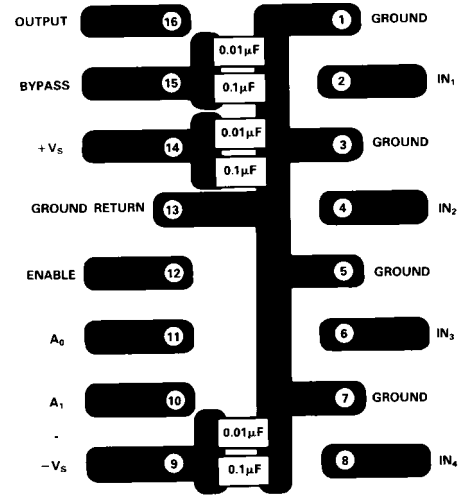
AD9300 BURN-IN DIAGRAM



ALL RESISTORS $\pm 5\%$
ALL CAPACITORS $\pm 20\%$
ALL SUPPLY VOLTAGES $\pm 5\%$

OPTION #1 (STATIC) $S_1 = -2.0V$; $S_2 = +2.0V$
 $D_0 = D_1 = +2.4V$; $D_2 = 0V$
OPTION #2 (DYNAMIC) SEE WAVEFORMS

SUGGESTED LAYOUT OF AD9300 PC BOARD

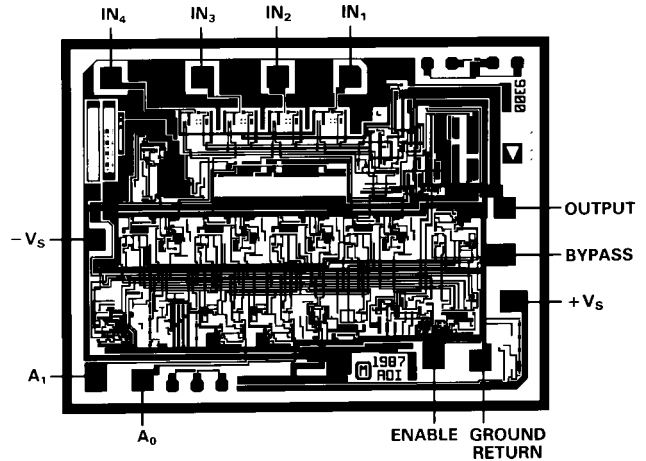


Suggested Layout of AD9300 PC Board
(Bottom View - Not to Scale)
Component Side Should be Ground Plane

FUNCTIONAL DESCRIPTION

- IN₁-IN₄** Four analog input channels.
- GROUND** Analog input shielding grounds, not internally connected. Connect each to external low-impedance ground as close to device as possible.
- A₀** One of two TTL decode control lines required for channel selection. See Logic Truth Table.
- A₁** One of two TTL decode control lines required for channel selection. See Logic Truth Table.
- ENABLE** TTL-compatible chip enable. In enabled mode (logic HIGH), output signal tracks selected input channel; in disabled mode (logic LOW), output is high impedance and no signal appears at output.
- V_S** Negative supply voltage; normally -10 V dc to -15 V dc.
- +V_S** Positive supply voltage; normally +10 V dc to +15 V dc.
- OUTPUT** Analog output. Tracks selected input channel when enabled.
- BYPASS** Bypass terminal for internal bias line; must be decoupled externally to ground through 0.1 µF capacitor.
- GROUND RETURN** Analog signal and power supply ground return.

METALIZATION PHOTOGRAPH

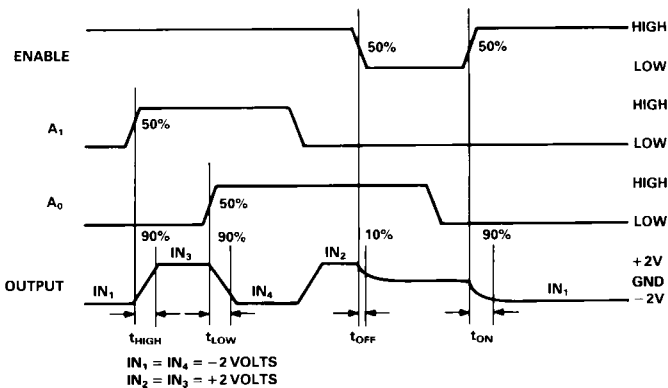


MECHANICAL INFORMATION

- Die Dimensions 84 × 104 × 18 (max) mils
- Pad Dimensions 4 × 4 (min) mils
- Metalization Aluminum
- Backing None
- Substrate Potential -V_S
- Passivation Oxynitride
- Die Attach Gold Eutectic
- Bond Wire 1.25 mil, Aluminum; Ultrasonic Bonding or 1 mil, Gold; Gold Ball Bonding

LOGIC TRUTH TABLE

ENABLE	A ₁	A ₀	OUTPUT
0	X	X	High Z
1	0	0	IN ₁
1	0	1	IN ₂
1	1	0	IN ₃
1	1	1	IN ₄



AD9300 Timing Diagram

THEORY OF OPERATION

Refer to the functional block diagram of the AD9300.

As shown in the drawing, this diagram is based on the pinouts of the DIP packaging of the models AD9300KQ and AD9300TQ. The AD9300KP and AD9300TE are packaged in 20-pin surface mount packages. The extra pins are used for ground connections; the theory of operation remains the same.

The AD9300 Video Multiplexer allows the user to connect any one of four analog input channels (IN_1 - IN_4) to the output of the device and to switch between channels at megahertz rates.

The input channel, which is connected to the output is determined by a 2-bit TTL digital code applied to A_0 and A_1 . The selected input will not appear at the output unless a digital "1" is also applied to the ENABLE input pin; unless the output is enabled, it is a high impedance. Necessary combinations to accomplish channel selection are shown in the Logic Truth Table.

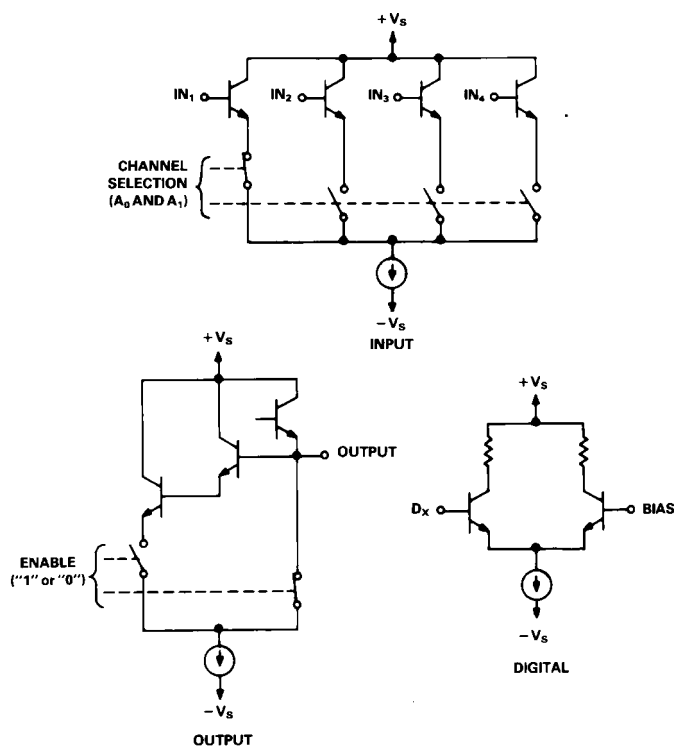


Figure 1. Input and Output Equivalent Circuits

Bipolar construction used in the AD9300 ensures that the input impedance of the device remains high and will not vary with power supply voltages. This characteristic makes the AD9300, in effect, a switchable-input buffer. An onboard bias network makes the performance of the AD9300 independent of applied supply voltages, which can have any nominal value from ± 10 V dc to ± 15 V dc.

Although the primary application for the AD9300 is the routing of video signals, the harmonic and dynamic attributes of the device make it appropriate for other applications. The AD9300 has exceptional performance when switching video signals and can also be used for switching other analog signals requiring greater dynamic range and/or precision than those in video.

As shown in Figure 1, each analog input is connected to the base of a bipolar transistor. If Channel 1 is selected, a current switch is closed and routes current through the input transistor for Channel 1.

If Channel 2 is then selected by the digital inputs, the current switch for Channel 1 is opened and the current switch for Channel 2 is closed. This causes current to be routed away from the Channel 1 transistor and into the Channel 2 input transistor. Whenever a channel's input device is carrying current, the analog input applied to that channel is passed to the output stage.

The operation of the output stage is similar to that of the input stages. Whenever the output stage is enabled with a HIGH digital "1" signal at the ENABLE pin, the output transistor will carry current and pass the selected analog input.

When the output stage is disabled (by virtue of the ENABLE pin being driven LOW with a digital "0"), the output current switch is opened. This routes the current to other circuits within the AD9300 that keep the output transistor biased "off." These circuits require approximately $1 \mu\text{A}$ of bias current from the load connected to the output of the multiplexer. In the absence of a terminating load and the resulting dc bias, the output of the AD9300 "floats" at -2.5 V.

In summary, when the AD9300 is enabled by the ENABLE pin being driven HIGH with a digital "1," the selected analog input channel acts as a buffer for the input and the output of the multiplexer is a low impedance. When the AD9300 is disabled with a digital "0" LOW signal, the selected channel acts as an open switch for the input, and the output of the unit becomes a high impedance. This characteristic allows the user to wire-or several AD9300 Analog Multiplexers together to form switch matrices.

AD9300

AD9300 APPLICATIONS

To ensure optimum performance from circuits using the AD9300, it is important to follow a few basic rules that apply to all high speed devices.

A large, low-impedance ground plane under the AD9300 is critical. Generally, GROUND and GROUND RETURN connections should be connected solidly to this plane. GROUND pin connections are signal isolation grounds that are not

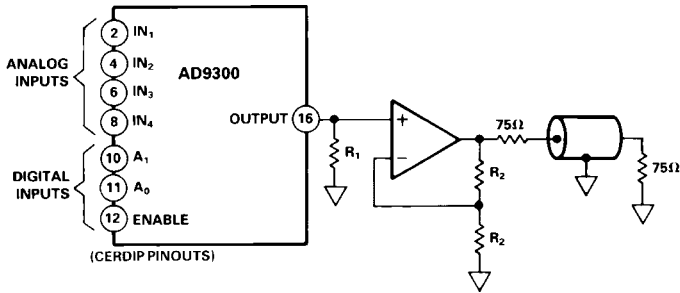


Figure 2. 4 x 1 AD9300 Multiplexer with Buffered Output Driving 75 Ω Coaxial Cable

connected internally; they can be left unconnected, but there may be some degradation in crosstalk rejection. GROUND RETURN, on the other hand, serves as the internal ground reference for the AD9300 and, *without exception*, should be connected to the ground plane.

The output stage of the unit is capable of driving a 2 k Ω ||10 pF load. Larger capacitive loads may limit full power bandwidth and increase t_{OFF} (the interval between the 50% point of the ENABLE high-to-low transition and the instant the output becomes a high impedance).

For applications such as driving cables (see Figure 2), output buffers are recommended.

It is recommended that the AD9300 be soldered directly into circuit boards rather than using socket assemblies. If sockets must be used, individual pin sockets are preferred rather than a socket assembly. A second requirement for proper high speed design involves decoupling the power supply and internal bias supply lines from ground to improve noise immunity. Chip capacitors are recommended for connecting 0.1 μ F and 0.01 μ F capacitors between ground and the $\pm V_S$ supplies (Pins 9 and 14) and the BYPASS connection (Pin 15).

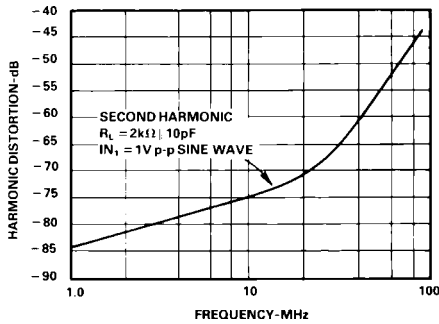


Figure 3. Harmonic Distortion vs. Frequency

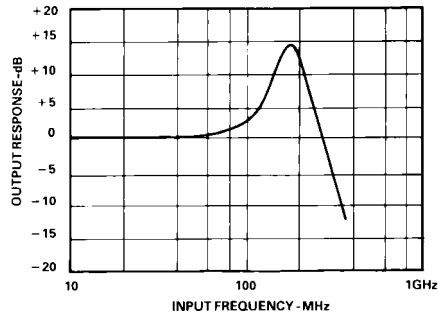


Figure 4. Output vs. Frequency

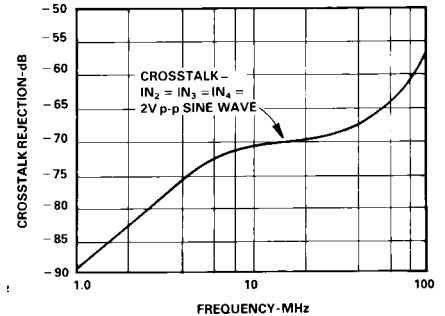


Figure 5. Crosstalk vs. Frequency

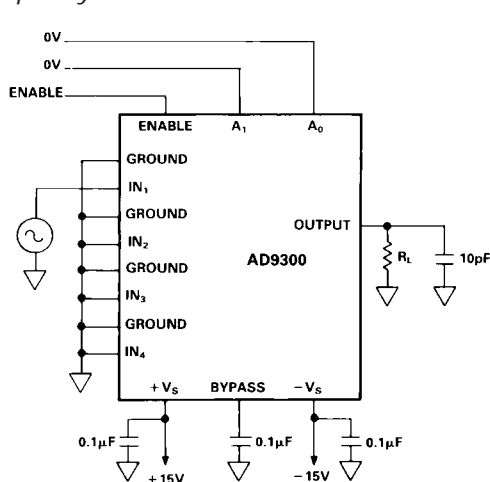


Figure 6. Test Circuit for Harmonic Distortion, Pulse Response, T-Step Response and Disable Characteristics

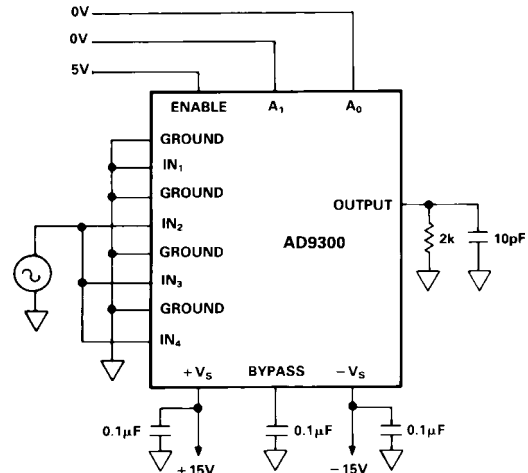


Figure 7. Crosstalk Rejection Test Circuit

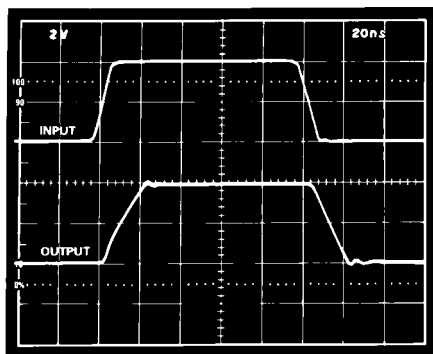


Figure 8. Pulse Response

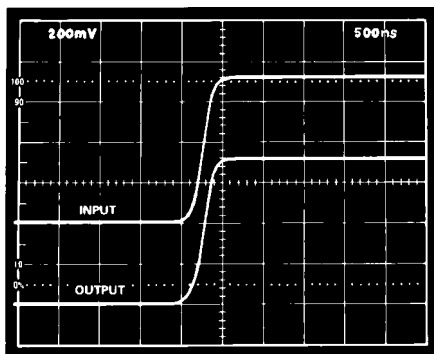


Figure 9. T-Step Response

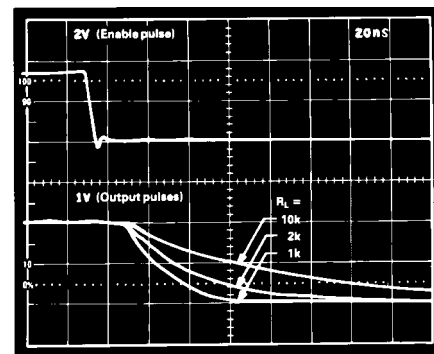
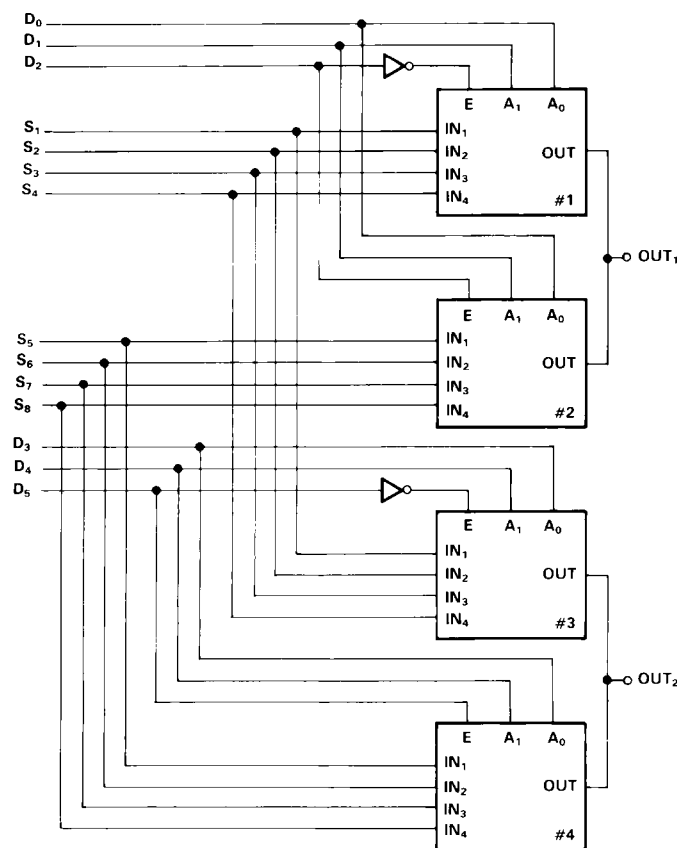


Figure 10. Enable to Channel "Off" Response

CROSSPOINT CIRCUIT APPLICATIONS

Four AD9300 multiplexers can be used to implement an 8 × 2 crosspoint, as shown in Figure 11. The circuit is modular in concept, with each pair of multiplexers (#1 and #2; #3 and #4) forming an 8 × 1 crosspoint. When the inputs to all four units are connected as shown, the result is an 8 × 2 crosspoint circuit.



8 X 2 SIGNAL CROSSPOINT USING FOUR AD9300 MULTIPLEXERS

Figure 11. 8 x 2 Signal Crosspoint Using Four AD9300 Multiplexers

The truth table describes the relationships among the digital inputs (D₀–D₅) and the analog inputs (S₁–S₈) and which signal input is selected at the outputs (OUT₁ and OUT₂). The number of crosspoint modules that can be connected in parallel is limited by the drive capabilities of the input signal sources. High input impedance (3 MΩ) and low input capacitance (2 pF) of the AD9300 help minimize this limitation.

8 × 2 Crosspoint Truth Table

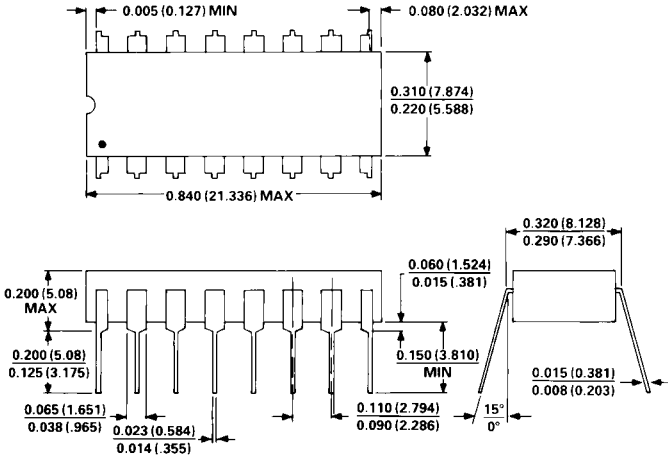
D ₂ or D ₅	D ₁ or D ₄	D ₀ or D ₃	OUT ₁ or OUT ₂
0	0	0	S ₁
0	0	1	S ₂
0	1	0	S ₃
0	1	1	S ₄
1	0	0	S ₅
1	0	1	S ₆
1	1	0	S ₇
1	1	1	S ₈

Adding to the number of inputs applied to each crosspoint module is simply a matter of adding AD9300 multiplexers in parallel to the module. Eight devices connected in parallel result in a 32 × 1 crosspoint, which can be used with input signals having 30 MHz bandwidth and 1 V peak-to-peak amplitude. Even more AD9300 units can be added if input signal amplitude and/or bandwidth are reduced; if they are not, distortion of the output signals can result.

When an AD9300 is enabled, its low output impedance causes the "off" isolation of disabled parallel devices to be greater than the crosstalk rejection of a single unit.

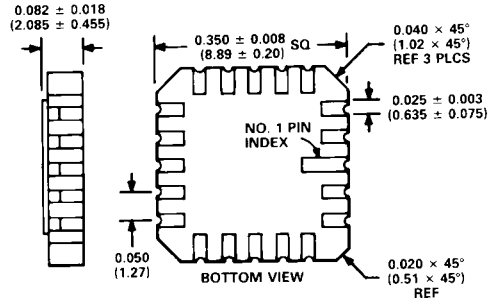
OUTLINE DIMENSIONS
Dimensions shown in inches and (mm).

16-Pin Cerdip (Q) Package

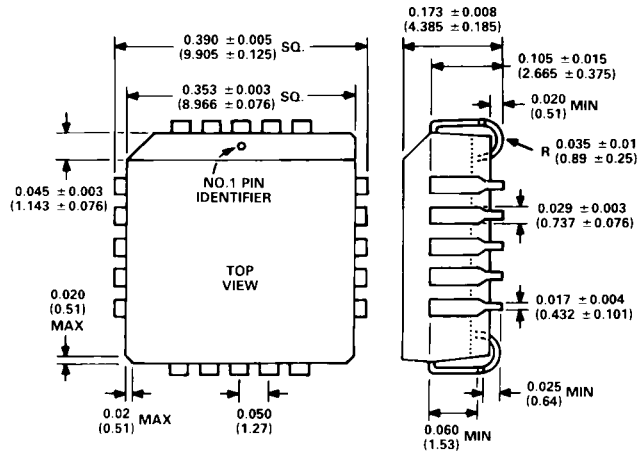


NOTES:
LEAD NO. 1 IDENTIFIED BY DOT OR NOTCH.
LEADS ARE SOLDER-DIPPED OR TIN-PLATED KOVAR OR ALLOY 42.

20-Pin LCC (E) Package



20-Pin PLCC (P) Package



C:1184a-21-11/90

PRINTED IN U.S.A.