

PRODUCT NUMBER

71922-YXXLF

WHEN REQUIRED, ADD SUFFIX LETTER "LF"  
INDICATES THE PRODUCT IS RoHS  
COMPATIBLE, SEE NOTE 10

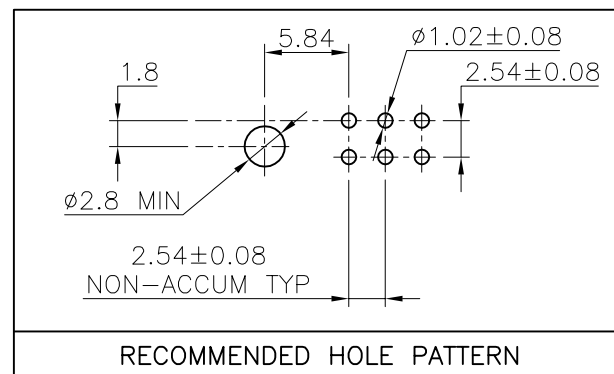
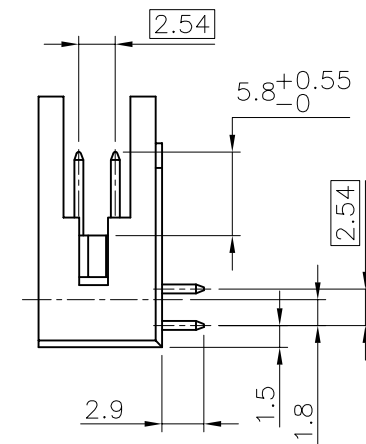
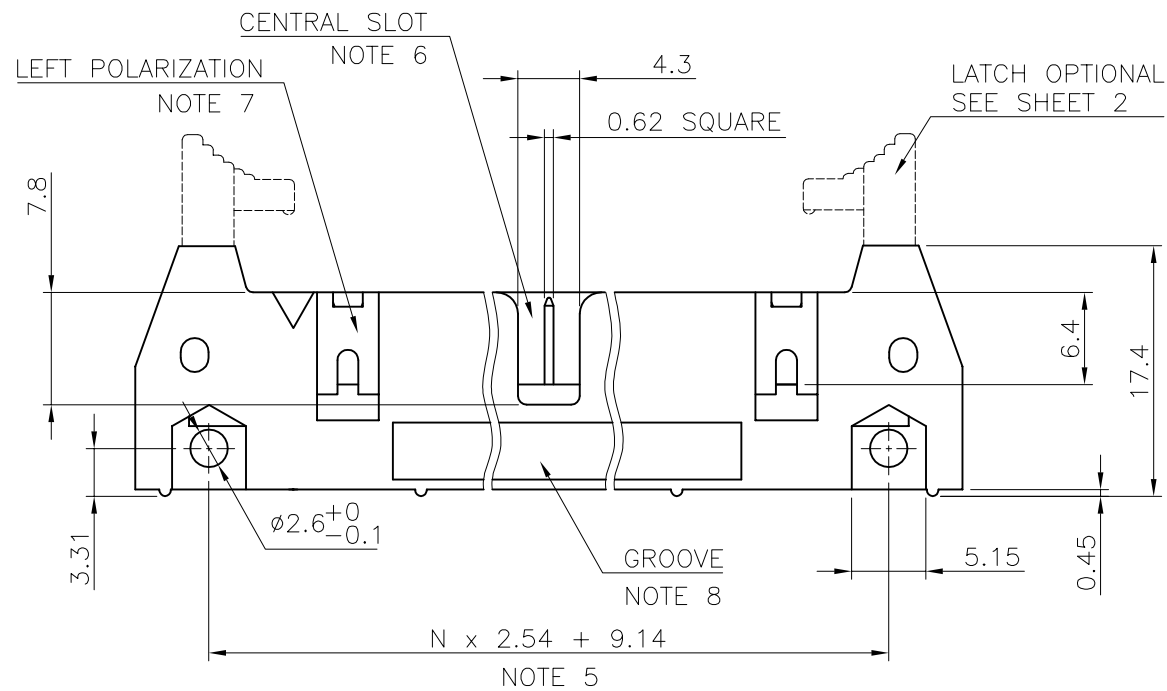
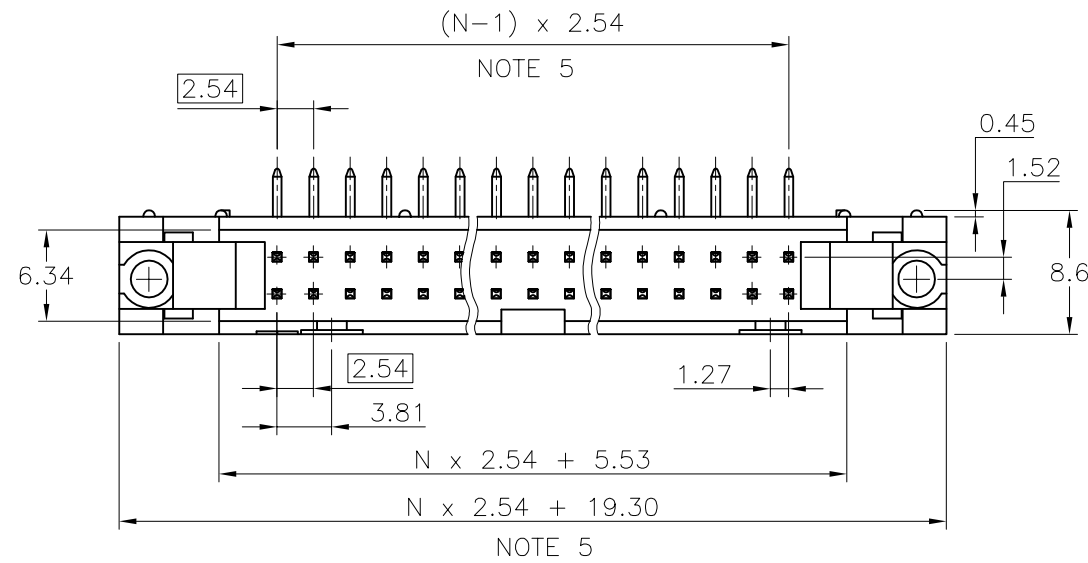
TOTAL NB OF POSITIONS, SEE SHEET 2

LATCHING

- 0= WITHOUT LATCH
- 1= STANDARD LATCH
- 2= LOW PROFILE LATCH

NOTES:

- 1 - HOUSING MAT'L : GLASS FILLED THERMOPLASTIC. UL94V-0 COLOR: GREY
- 2 - PIN MATERIAL : PHOSPHOR BRONZE
- 3 - PRODUCT PACKAGED IN TUBES
- 4 - 40N MIN LATCH RETENTION FORCE AT FIRST EXTRACTION
- 5 - TO DETERMINE DIMENSIONS :  
N = NUMBER OF POSITIONS PER ROW  
EXAMPLE : 8 POS N x 2.54 = 20.32mm
- 6 - NO CENTRAL SLOT ON POSITIONS 6 & 8
- 7 - NO LEFT POLARIZATION ON POSITIONS 06, 08, 10, 14.
- 8 - NO GROOVE ON POSITIONS 06, 08, 10, 14, 30, 34
- 9 - 4.5mm SOLDER TAIL  
ORDER 71922-4XX (WITH STANDARD LATCH ONLY)
- 10 - RoHS COMPATIBLE PRODUCT SPECIFICATIONS
  - a - PLATING:
    - "LF" MEANS THE PRODUCT IS LEAD-FREE, 2µm MINIMUM MATTE TIN OVER 1.27µm MINIMUM NICKEL UNDERPLATE.
  - b - MANUFACTURING PROCESS COMPATIBILITY
    - THE HOUSING WILL WITHSTAND EXPOSURE TO 260°C ±5°C SOLDER BATH TEMPERATURE FOR 5 SECONDS IN A WAVE SOLDER APPLICATION WITH A 1.6mm MIN THICK CIRCUIT BOARD.
  - c - LABELING:
    - MEETS PACKAGING SPECS AS PER GS-14-920
  - d - LEGAL STATEMENT: SEE GS-22-008.



mat'l. code				surface	tolerance	projection	product family
SEE NOTES				ISO 1302	ISO 406	ISO 1101	QUICKIE
ltr	ecn no	dr	date	tolerances unless	otherwise specified	mm	title
M	F04-0121	LMU	04.01.27	angles	.XX ±0.3	mm	SHR.EL.HEADER
N	F04-0176	LMU	04.04.22	linear	.XX ±0.13	mm	RA DR TMT
P	F04-0325	JCO	04.08.16		.XXX ±0.05	scale 2:1	dwg no
R	F04-0389	LMU	04.09.17	dr	D.LE	01.01.24	sheet 1 of 2
S	F06-0229	LMU	06.07.17	enr	JM.C	01.01.24	size
T	F07-0195	LMU	07.05.25	chr	JF.N	01.01.24	71922
U	F08-0146	YOY	08.04.11	appd	JM.C	01.01.24	A3
sheet	revision	U	P				type
index	sheet	1	2				CUSTOMER Drawing



Copyright FCI



1

2 3

4

5

6

### CORE RANGE

LATCHING	NUMBER OF POSITIONS
1	06
1	08
1	10
1	14
1	16
1	18
1	20
1	26
1	30
1	34
1	40
1	44
1	50
1	60
1	64

#### PLATING :

- 0.76µm GOLD/GXT (PdNi WITH GOLD FLASH) ON CONTACT AREA
- 3.81µm TIN-LEAD ON TAIL
- UNDERPLATE : 1.27µm Ni MIN
- WHEN SUFFIX LETTER "LF" IS REQUIRED, 2µm MIN MATTE TIN OVER 1.27µm MIN NICKEL IS PROVIDED INSTEAD OF TIN-LEAD

### CATALOGUE RANGE

LATCHING	NUMBER OF POSITIONS
0/2	06
0/2	08
0/2	10
0/2	14
0/2	16
0/2	18
0/2	20
0/2	26
0/2	30
0/2	34
0/2	40
0/2	44
0/2	50
0/2	60
0/2	64

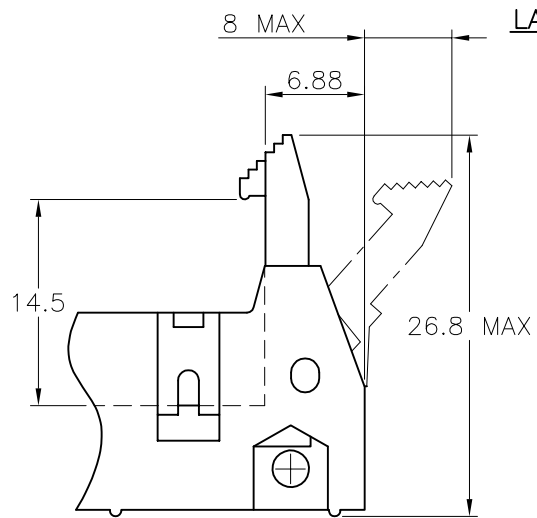
#### PLATING :

- 0.76µm GOLD/GXT (PdNi WITH GOLD FLASH) ON CONTACT AREA
- 3.81µm TIN-LEAD ON TAIL
- UNDERPLATE : 1.27µm Ni MIN
- WHEN SUFFIX LETTER "LF" IS REQUIRED, 2µm MIN MATTE TIN OVER 1.27µm MIN NICKEL IS PROVIDED INSTEAD OF TIN-LEAD

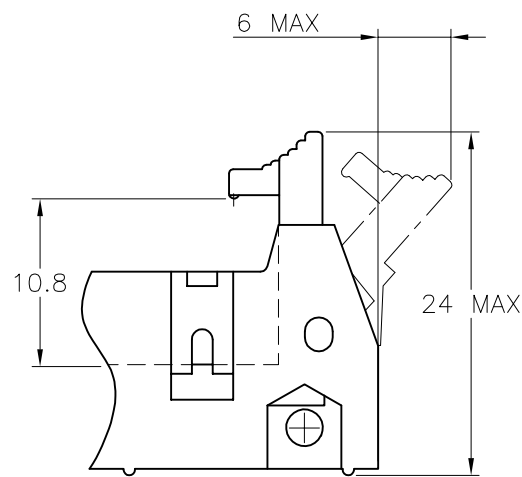
### APPLICATION SPECIFIC

PRODUCT NUMBER	SIZE	MISSING PIN
71922-139	2x20	PIN 20

#### LATCHING FEATURES :



1= STANDARD LATCH



2= LOW PROFILE LATCH

mat'l. code				surface ISO 1302	tolerance ISO 406 ISO 1101	projection mm	product family QUICKIE
ltr	ecn no	dr	date	tolerances unless otherwise specified		scale 2:1	title SHR.EL.HEADER RA DR TMT
M	F06-0229	LMU	06.07.17	angles	linear		dwg no 71922
N	F07-0195	LMU	07.05.25			sheet 2 of -	size A3
P	F08-0146	YOV	08.04.11				type CUSTOMER Drawing
J	F04-176	LMU	04.04.23	dr	D.LE	01.01.24	
K	F04-0325	JCO	04.08.16	enr	JM.C	01.01.24	
L	F04-0389	JCO	04.12.21	chr	JF.N	01.01.24	
				appd	JM.C	01.01.24	
sheet index	revision sheet						

form: A3

1

2

3

4

5

6