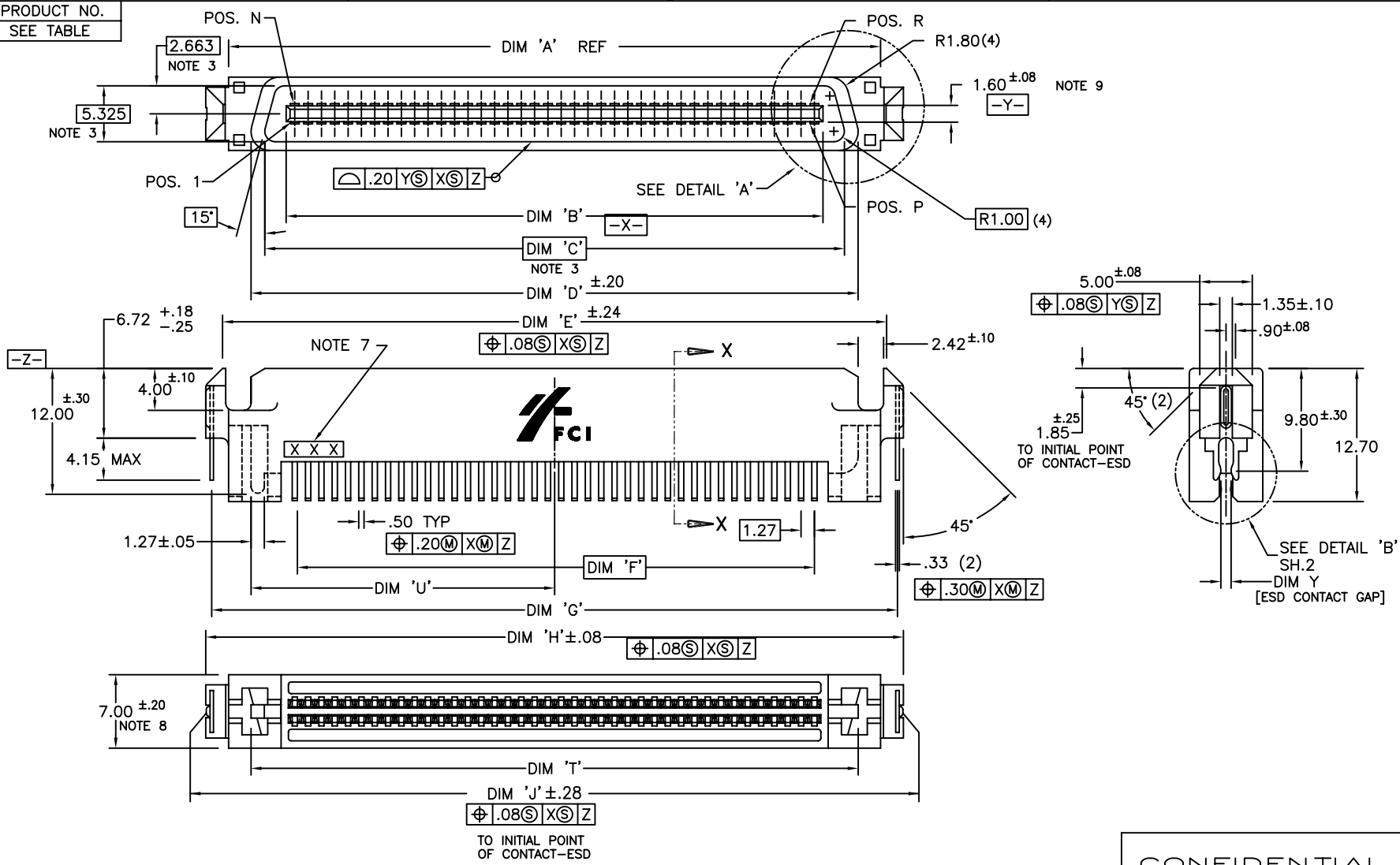


Tous droits strictement réservés. Reproduction ou communication à des tiers interdite sous quelque forme que ce soit sans autorisation écrite du propriétaire. Propriété de c FCI. Droits de reproduction FCI.

All rights strictly reserved. Reproduction or issue to third parties in any form whatever is not permitted without written authority from the proprietor. Property of FCI. Copyright FCI.

PRODUCT NO.
SEE TABLE



CONFIDENTIAL

mat'l. code				tolerances unless otherwise specified				CUSTOMER COPY		FCI www.fciconnect.com	
L	S10131	GLL	11/12/01	linear	.X ±.3	projection	MM	title		code	
M	S20041	GLL	4/22/02		.XX ±.13			SCA2 PLUG CONNECTOR		-	
N	S03-0049	GLL	4/03/03	angles	.XXX ±.051			STRADDLE MOUNT		-	
P	S04-0058	GLL	3/30/04	dr	0' ±2'			product family	SCA-2	sheet	
R	S04-0246	GLL	11/18/04	enr				size	71292	1 of 4	
S	S05-0051	GLL	2/23/05	chr				scale	1:1		
				appd	JOEY NG						
sheet index	revision sheet	S 1	S 2	S 3	S 4						

cage code
22526

ACAD

PDM: Rev:S

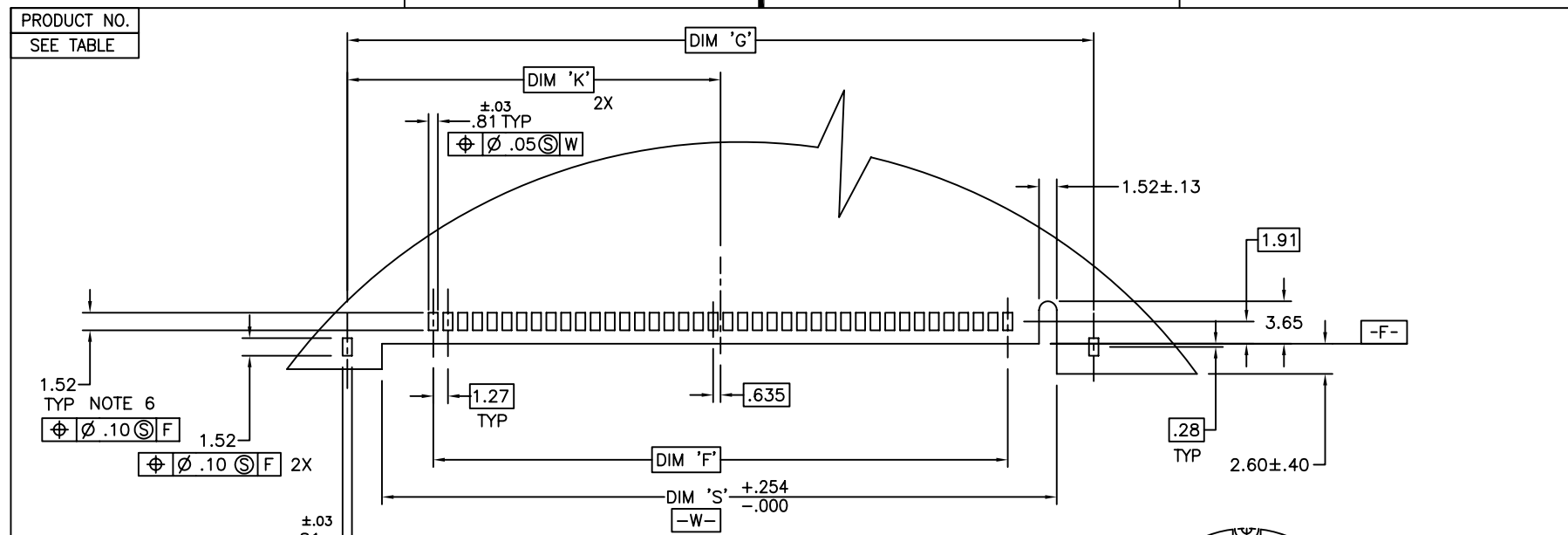
STATUS: Released

Printed: Feb 01, 2007

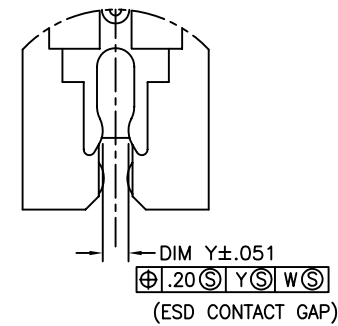
Tous droits strictement réservés. Reproduction ou communication à des tiers interdite sous quelque forme que ce soit sans autorisation écrite du propriétaire. Propriété de c FCI. Droits de reproduction FCI.

All rights strictly reserved. Reproduction or issue to third parties in any form whatever is not permitted without written authority from the proprietor. Property of FCI. Copyright FCI.

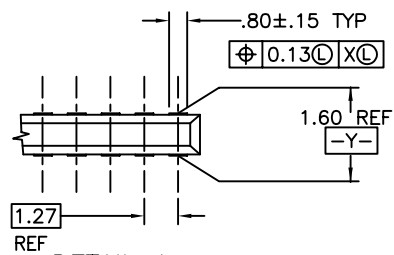
FCI



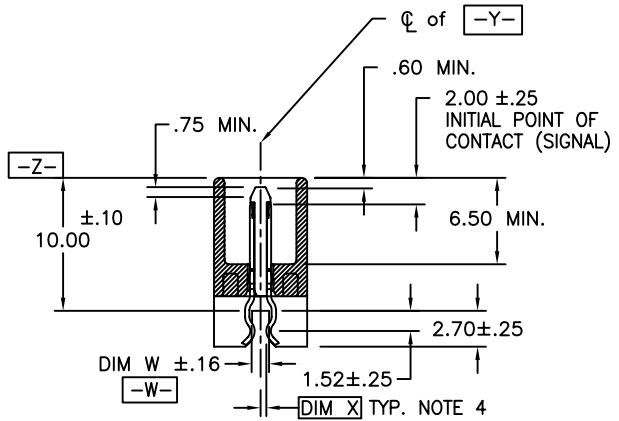
RECOMMENDED PC BOARD MOUNTING DIMENSIONS



DETAIL B
SCALE 2:1



DETAIL A
SCALE 2:1



SECTION X-X

CONFIDENTIAL

mat'l. code				tolerances unless otherwise specified		CUSTOMER COPY		 www.fciconnect.com			
ltr	ecn no	dr	date	linear	.X ± .3	projection		title			
S					.XX ± .13			SCA2 PLUG CONNECTOR STRADDLE MOUNT			
				angles	.XXX ± .051		MM	product family	SCA-2	code	-
				dr	0° ± 2'			size	dwg no	71292	sheet
				enr		scale	1:1	A			
				chr	FUSSELMAN 9/22/95						
				appd	J.DAVID 9/22/95						
sheet index	revision sheet				GL LOO 2/20/01						
					JOEY NG 2/20/01						

cage code 22526

STATUS: Released

ACAD

PDM: Rev:S

Printed: Feb 01, 2007

Tous droits strictement réservés. Reproduction ou communication à des tiers interdite sous quelque forme que ce soit sans autorisation écrite du propriétaire. Propriété de c FCI. Droits de reproduction FCI.

All rights strictly reserved. Reproduction or issue to third parties in any form whatever is not permitted without written authority from the proprietor. Property of FCI. Copyright FCI.

1 | 2

3 |


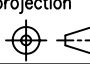
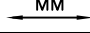
4

PRODUCT NO.	NO. POS.	DIM A REF	DIM B	DIM C	DIM D	DIM E	DIM F	DIM G	DIM H	DIM J	DIM K	POS. N	POS. P	POS. R	DIM S	DIM T	DIM U	DIM V	DIM W	DIM X	DIM Y	PLATING
71292-001																						NOTE 2
-001S	80	62.15	51.17	55.27	57.87	63.30	49.53	65.36	66.50	66.40	32.68	41	40	80	57.91	57.82	28.88	1.32	1.30	0.44	0.97	NOTE 10
71292-002																						NOTE 2
-002S	40	36.75	25.77	29.87	32.47	37.90	24.13	39.95	41.10	41.00	19.98	21	20	40	32.52	32.41	16.20	1.32	1.30	0.44	0.97	NOTE 10
71292-003S	80	62.15	51.17	55.27	57.87	63.30	49.53	65.36	66.50	66.40	32.68	41	40	80	57.91	57.82	28.88	1.83	1.83	0.72	1.52	NOTE 2
-103S																						NOTE 10
71292-004S	40	36.75	25.77	29.87	32.47	37.90	24.13	39.95	41.10	41.00	19.98	21	20	40	32.52	32.41	16.20	1.83	1.83	0.72	1.52	NOTE 2
-104S																						NOTE 10

NOTES:

- 1 HOUSING: LCP, UL94V-0 RATED, COLOR: BLACK
CONTACTS: PHOSPHOR-BRONZE
ESD CONTACT: PHOSPHOR-BRONZE
- 2 PLATING:
CONTACTS: 0.76µm (30µ") MIN GXT IN CONTACT AREA, 2.54µm (100µ") MIN TIN-LEAD ON P.C. BOARD LEG, 1.27µm (50µ") MIN NICKEL UNDERPLATE OVER ENTIRE TERMINAL.
ESD CONTACT: 2.54µm (100µ") MIN TIN-LEAD PLATING W/ 1.27µm (50µ") NICKEL UNDERPLATE
- 3 MEASURED AT THE FLOOR OF THE CAVITY MEASURED 6mm FROM DATUM \bar{Z}
- 4 APPLIES TO ALL SURFACES OF CONTACT TAILS.
- 5 MAXIMUM BOARD THICKNESS THAT CONNECTOR CAN ACCOMODATE IS DEFINED BY DIM 'V'.
- 6 THESE DIMENSIONS RESULT IN THE CONTACT RESTING IN CENTER OF PAD WIDTH. THESE DIMENSIONS ARE SUBJECT TO CHANGE DEPENDING ON CUSTOMER'S MANUFACTURING PREFERENCES IN PROCESS SOLDER PLACEMENT AND REFLOW.
- 7 DATE CODE IN THIS AREA
- 8 MEASUREMENT MADE AT CENTER OF PART, MAY BE AS LOW AS 6.55. DESIGN TO BE MADE TO ACHIEVE THE NOMINAL DIMENSION ACROSS THE ENTIRE PART.
- 9 DISTANCE MEASURED ACROSS CONTACT MATING SURFACES ALONG EFFECTIVE MATING AREA AND CONTACT MUST BE ABOVE PLASTIC ALONG EFFECTIVE MATING AREA.
- 10 PLATING:
CONTACTS: 0.76µm (30µ") MIN GOLD IN CONTACT AREA, 2.54µm (100µ") MIN TIN-LEAD ON P.C. BOARD LEG, 1.27µm (50µ") MIN NICKEL UNDERPLATE OVER ENTIRE TERMINAL.
ESD CONTACT: 2.54µm (100µ") MIN TIN-LEAD PLATING W/ 1.27µm (50µ") NICKEL UNDERPLATE
- 11. PART NUMBERS ENDING IN -0xx or -0xxS or -1xxS ARE MANUFACTURED WITH BRIGHT FINISH TIN-LEAD PLATING IN P.C. BOARD LEG AREA.

CONFIDENTIAL

mat'l. code				tolerances unless otherwise specified				CUSTOMER COPY		 www.fciconnect.com	
ltr	ecn no	dr	date	linear	.X ±.3			projection	 title SCA2 PLUG CONNECTOR STRADDLE MOUNT		
S					.XXX ±.051						
				angles	0° ±2'			 MM	product family		code
				dr	FUSSELMAN	9/22/95	scale		SCA-2		-
				engr	J.DAVID	9/22/95		1:1	size		sheet
				chr	GL LOO	2/20/01	A		71292		3 of 4
				appd	JOEY NG	2/20/01					
sheet index	revision sheet										

1 | 2

3 |

4

ACAD

PDM: Rev:S

cage code
22526

STATUS: Released

Printed: Feb 01, 2007

Tous droits strictement réservés. Reproduction ou communication à des tiers interdite sous quelque forme que ce soit sans autorisation écrite du propriétaire. Propriété de c FCI. Droits de reproduction FCI.



All rights strictly reserved. Reproduction or issue to third parties in any form whatever is not permitted without written authority from the proprietor. Property of FCI. Copyright FCI.

PRODUCT NO.	NO. POS.	DIM A REF	DIM B	DIM C	DIM D	DIM E	DIM F	DIM G	DIM H	DIM J	DIM K	POS. N	POS. P	POS. R	DIM S	DIM T	DIM U	DIM V	DIM W	DIM X	DIM Y	PLATING
71292-001LF	80	62.15	51.17	55.27	57.87	63.30	49.53	65.36	66.50	66.40	32.68	41	40	80	57.91	57.82	28.88	1.32	1.30	0.44	0.97	NOTE 16
-201LF																						NOTE 12
71292-002LF	40	36.75	25.77	29.87	32.47	37.90	24.13	39.95	41.10	41.00	19.98	21	20	40	32.52	32.41	16.20	1.32	1.30	0.44	0.97	NOTE 16
-202LF																						NOTE 12
71292-003LF	80	62.15	51.17	55.27	57.87	63.30	49.53	65.36	66.50	66.40	32.68	41	40	80	57.91	57.82	28.88	1.83	1.83	0.72	1.52	NOTE 16
-203LF																						NOTE 12
71292-004LF	40	36.75	25.77	29.87	32.47	37.90	24.13	39.95	41.10	41.00	19.98	21	20	40	32.52	32.41	16.20	1.83	1.83	0.72	1.52	NOTE 16
-204LF																						NOTE 12

NOTES:

- 12. PLATING: CONTACT: 0,76µm (30µ") MIN GOLD IN CONTACT AREA, 2.54µm (100µ") - 5.08µm (200µ") TIN (LEAD-FREE) ON P.C. BOARD LEG, 1.27µm (50µ") MIN. NICKEL UNDERPLATE OVER ENTIRE TERMINAL
ESD CONTACT: 2.54 µm (100µ") -5.08µm (200µ") TIN PLATING (LEAD-FREE) WITH 1.27µm (50µ") NICKEL UNDERPLATE
- 13. THE HOUSING WILL WITHSTAND EXPOSURE TO 260° C PEAK TEMPERATURE FOR 10 SECONDS IN A CONVECTION, INFRA-RED OR VAPOR PHASE REFLOW OVEN.
- 14. THIS PRODUCT MEETS EUROPEAN UNION DIRECTIVES AND OTHER COUNTRY REGULATIONS AS DESCRIBED IN GS-22-008.
- 15. PART NUMBERS ENDING IN "LF" MEANS FOR NOTE 14 LEAD FREE IDENTIFICATION. P/N XXXXX-2XXLF IS EQUIVALENT TO PREVIOUS P/N XXXXX-2XX .
- 16. PLATING: CONTACT: 0,76µm (30µ") MIN GXT IN CONTACT AREA, 2.54µm (100µ") - 5.08µm (200µ") TIN (LEAD-FREE) ON P.C. BOARD LEG, 1.27µm (50µ") MIN. NICKEL UNDERPLATE OVER ENTIRE TERMINAL
ESD CONTACT: 2.54 µm (100µ") -5.08µm (200µ") TIN PLATING (LEAD-FREE) WITH 1.27µm (50µ") NICKEL UNDERPLATE

CONFIDENTIAL

mat'l. code				tolerances unless otherwise specified				CUSTOMER COPY		 www.fciconnect.com	
ltr	ecn no	dr	date	linear	.X ±.3			projection	 title SCA2 PLUG CONNECTOR STRADDLE MOUNT		
S					.XX ±.13						
					.XXX ±.051						
				angles	0° ±2'			 MM scale 1:1	product family		code
				dr	FUSSELMAN	9/22/95	SCA-2		-		
				enr	J.DAVID	9/22/95	size		dwg no		
				chr	GL LOO	2/20/01	A		71292		
				appd	JOEY NG	2/20/01			sheet	4 of 4	
sheet index	revision sheet										

cage code 22526

ACAD

PDM: Rev:S

STATUS: Released

Printed: Feb 01, 2007