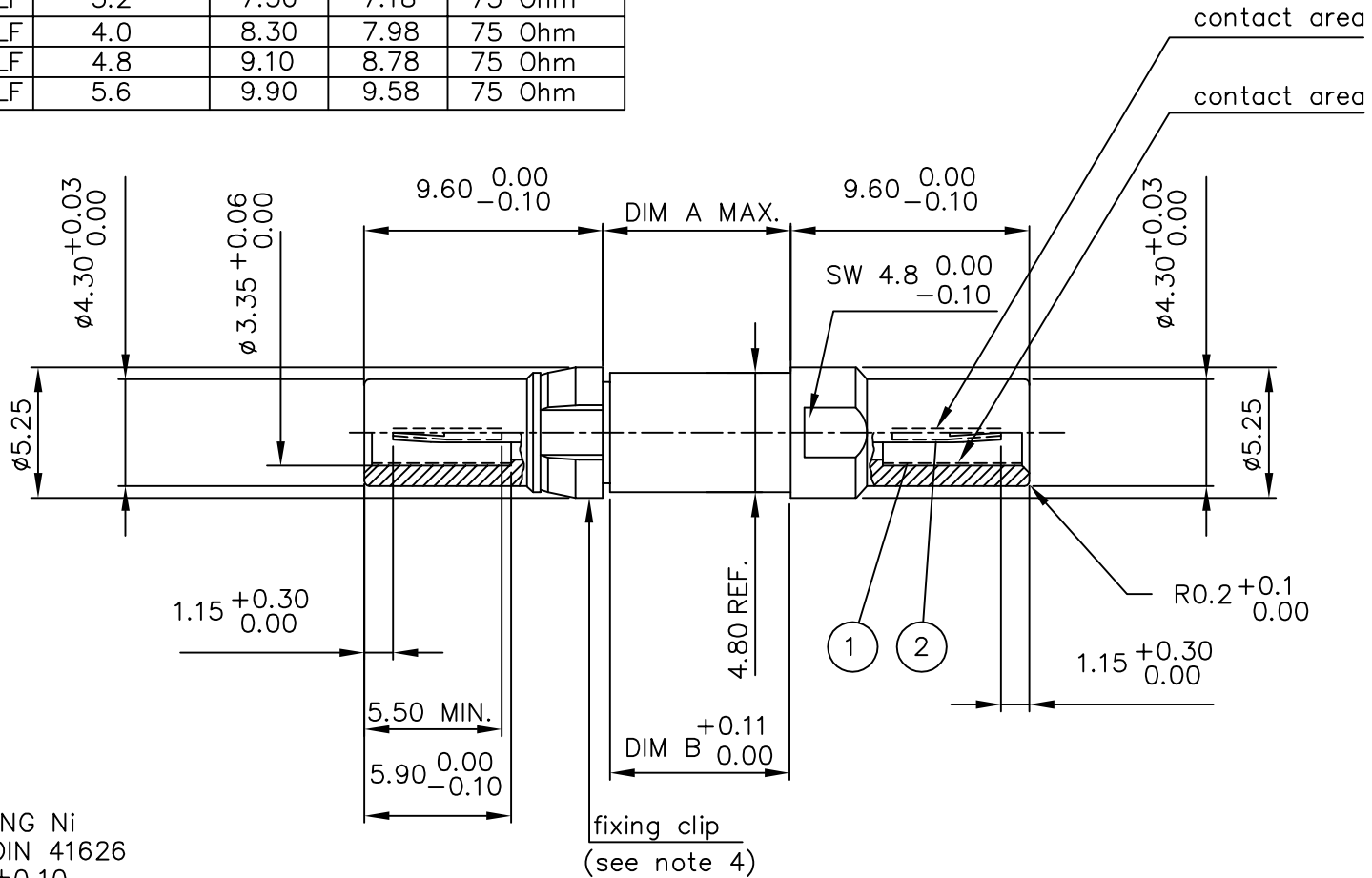


Tous droits strictement réservés. Reproduction ou communication à des tiers interdite sous quelque forme que ce soit sans autorisation écrite du propriétaire. © FCI b.v.  
 Reproduction or issue to third parties in any form, whatever is not permitted without written authority from the proprietor. © FCI b.v.  
 All rights strictly reserved. Reproduction or issue to third parties in any form, whatever is not permitted without written authority from the proprietor. © FCI b.v.

PRODUCT NUMBER	PCB THICKNESS	DIM A	DIM B	IMPEDANCE
70212-001LF	1.6	5.90	5.58	75 Ohm
70212-002LF	2.4	6.70	6.38	75 Ohm
70212-003LF	3.2	7.50	7.18	75 Ohm
70212-004LF	4.0	8.30	7.98	75 Ohm
70212-005LF	4.8	9.10	8.78	75 Ohm
70212-006LF	5.6	9.90	9.58	75 Ohm

PLATING CONTACT AREA  
1.3µm Au MIN



- NOTES:
- 1 UNDERPLATING Ni
  - 2 DIM. ACC. DIN 41626
  - 3 GEN. TOL. ±0.10
  - 4 FIXING CLIP PLATED WITH GOLD FLASH FOR IDENTIFICATION PURPOSES
  - 5 THIS PRODUCT WITH "LF" SUFFIX MEETS EUROPEAN UNION DIRECTIVES AND OTHER COUNTRY REGULATIONS AS DESCRIBED IN GS -22-008.
  - 6 THE PRODUCT IS NOT INTENDED TO BE EXPOSED TO A MANUFACTURE AND SOLDER PROCESS.

fixing clip  
(see note 4)

mat'l. code		tolerances unless otherwise specified		CUSTOMER COPY		<b>ELECTRONICS</b> www.fciconnect.com	
ltr	ecn no	dr	date			title	
A	H00365	DAN	900718	linear		DIN COAX RCP COUPLER	
B	H00367	DAN	900731			product family	
C	H20027	DAN	920116	angles		METRAL(tm)	
D	H20350	DAN	920609	dr	D Andrews	900718	code
E	H50483	RVI	950828	engr	P Schalk	950821	213
F	H60443	RDK	960716	chr	A v Zanten	900718	sheet
G	bc05-0342	CLU	050920	appd	v Woensel	900718	1 of 1
sheet index	revision	G					
	sheet	1					