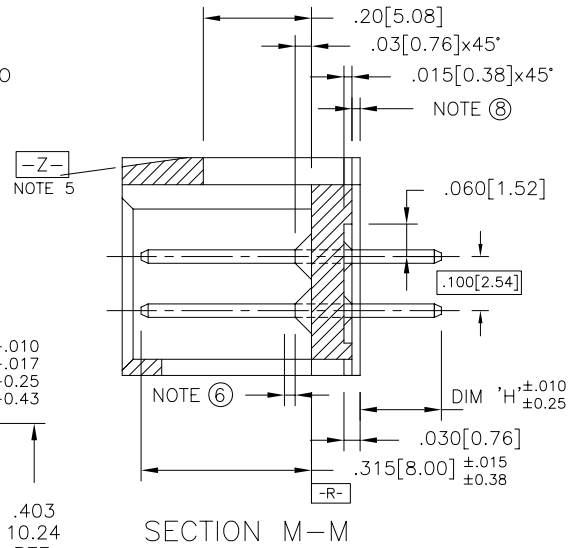
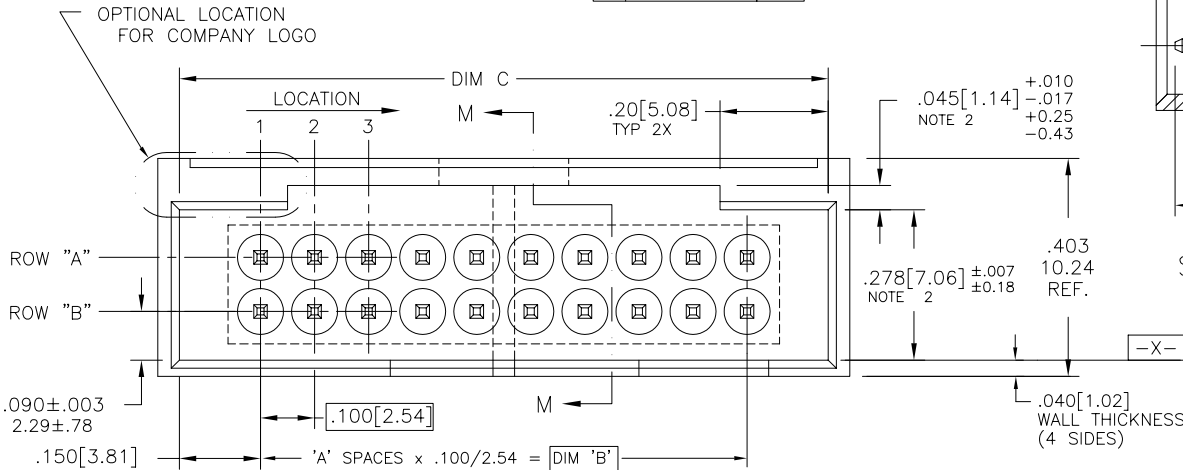
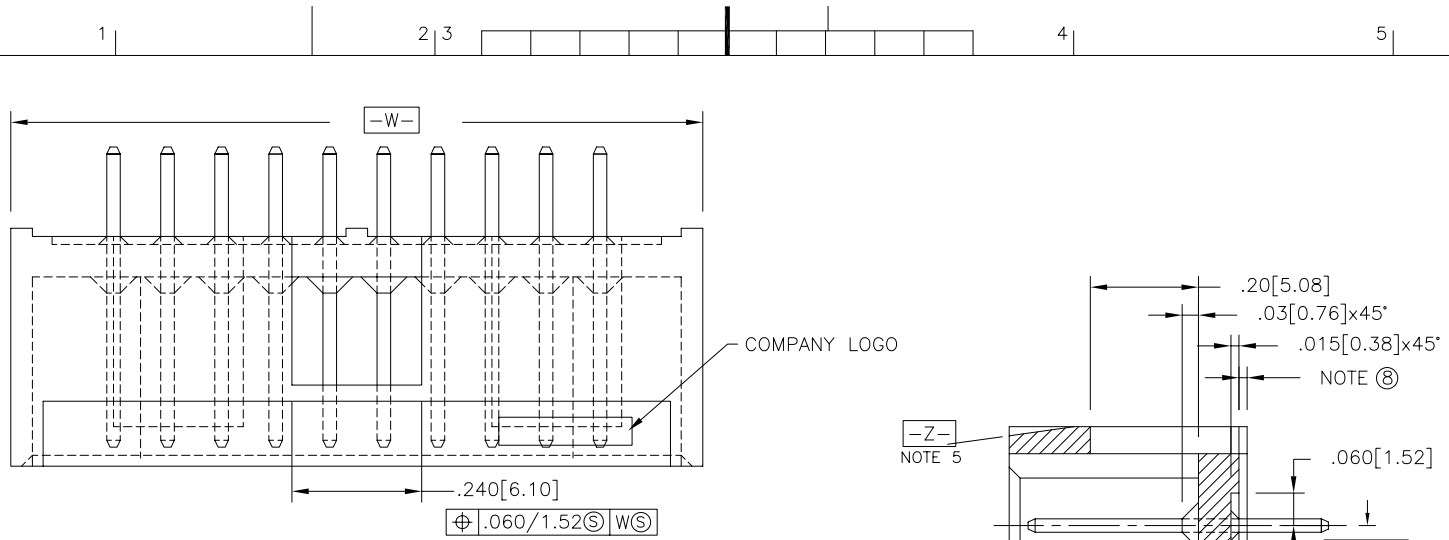




FCIconnect.com

Copyright FCI

PRODUCT NUMBER  
SEE TABLE

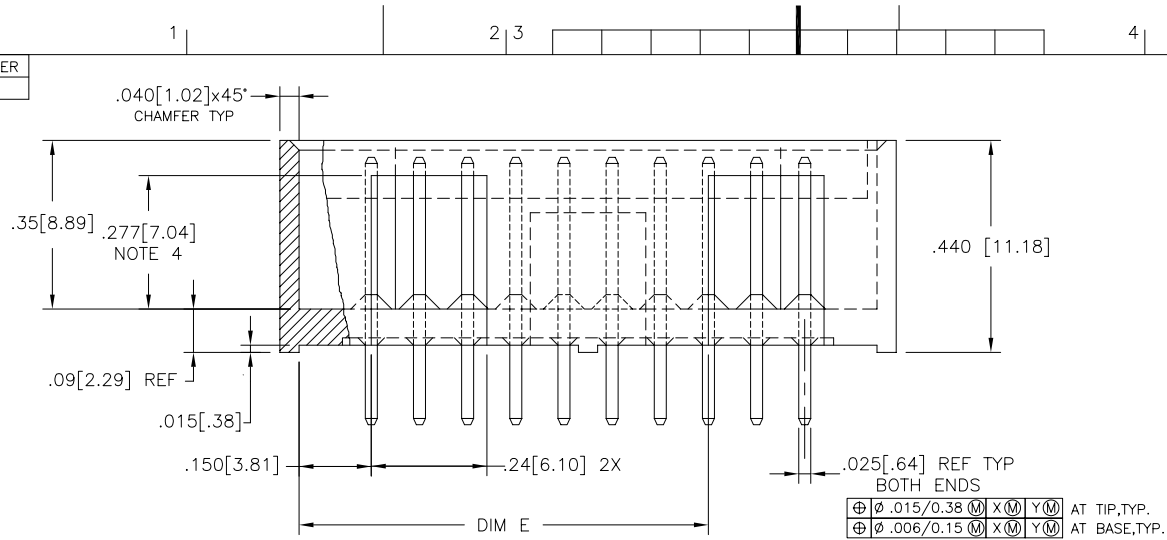


(4X)

mat'l. code NOTE 1		surface ISO 1302 ✓		tolerance ISO 406 ISO 1101		projection ISO 1101		product family HEADER	
ltr	ecp	no	dr	date	tolerances unless otherwise specified		title		
A	APPD	JRL		4/3/85	angles	linear	INCH/MM	STRAIGHT HEADER FOR FLAT CABLE RECEPT.	
B	V81248	SAR		7/21/98			scale 3:1		
C	M05-0167	ERE		7/23/05	0'±2'				
D	M07-0116	AGS	2/24/07	dr	W.J. COPENHAVER	7/10/84	dwg no sheet 1 of 4 size		
E	M07-0238	AGS	5/23/07	enfr	P. SMITH	4/10/85	68648 A3		
F	N07-0150	MHT	8/01/07	chr	P. SMITH	4/10/85	type Product Customer Drawing		
sheet index		revision	F	F	F	F			
sheet		sheet	1	2	3	4			

form: A3

PRODUCT NUMBER  
SEE TABLE



VIEW G-G

NOTES:

- 1 TERMINAL MATERIAL:  
3/4 HARD PHOS BRONZE ALLOY UNS-C51000
- 2 TERMINAL PLATING:  
30μ"/0.76μ AU OR GXT over 50μ"/1.27μ NICKEL  
ON SWAGED TIPS AT MFG. OPTION
- 3 MOLDING MAT'L:  
GLASS-FILLED POLYESTER, FLAME RETARDANT  
PER UL94V-0, COLOR: BLACK
- 4 .020/0.51 MAX FLASH PERMISSIBLE AROUND  
ALL WINDOWS
- 5 COMPANY LOGO TO BE MOLDED IN ON DATUM SURFACE  
[-Z-] APPROXIMATELY AS SHOWN
- 6 .030/0.76 MAX FLASH PERMISSIBLE ON PINS  
(BOTH SIDES)
- 7 OTHER PLATINGS ARE AVAILABLE ON 68419 &  
68649. END OF PINS
- 8 .015/0.38 MAX FLASH PERMISSIBLE ON THIS  
END OF PINS.

- 9. PLATING OPTIONS:  
MAY BE EITHER GOLD OR GXT PLATED AT MANUFACTURER'S OPTION.
- 10. ADD "LF" SUFFIX AT THE END OF PART NUMBER  
FOR LEAD FREE OPTION
- 11. THIS PRODUCT MEETS EUROPEAN UNION DIRECTIVES AND OTHER  
COUNTRY REGULATION AS DESCRIBED IN GS-22-008.
- 12. THE HOUSING WILL WITHSTAND EXPOSURE TO 260°C PEAK TEMPERATURE  
FOR 15 SECONDS IN A WAVE SOLDER APPLICATION WITH A 1.5mm  
MINIMUM THICK CIRCUIT BOARD. SEE APPLICATION NOTES/PROCEDURES  
IF THEY ARE AVAILABLE.

mat'l. code		surface ISO 1302 ✓		tolerance ISO 406 ISO 1101		projection ⊕		product family HEADER	
ltr	ecn	no	dr	date		tolerances unless otherwise specified		title	
F						angles	linear	INCH/MM	
						0°±2'	.XX±.01/XX±0.3 .XXX±.005/XXX±0.13 .XXXX±.0020/XXX±0.051	scale 3:1	
				dr	COPENHAVER	7/10/84			dwg no
				enr	P. SMITH	4/10/85			sheet 2 of 4 size
				chr	P. SMITH	4/10/85			68648 A3
				appd	P. SMITH	4/10/85			type Product Customer Drawing
sheet index	revision sheet								

FCJ  
FCIconnect.com  
Copyright FCI

PRODUCT NO	NO.OF	DIM C	DIM C	DIM B	DIM B	DIM D	DIM D	DIM E	DIM E	DIM H	DIM H	"A"			
NOTE 10	POS.	ENGLISH	METRIC	ENGLISH	METRIC	ENGLISH	METRIC	ENGLISH	METRIC	ENGLISH	METRIC	SPACES			
68648-001	6	0.500	12.70	0.200	5.08	0.150	3.81	0.000	0.00	0.130	3.30	2	-	-	-
68648-002	8	0.600	15.24	0.300	7.62	0.150	3.81	0.000	0.00	0.130	3.30	3	-	-	-
68648-003	10	0.700	17.78	0.400	10.16	0.250	6.35	0.000	0.00	0.130	3.30	4	-	-	-
68648-004	12	0.800	20.32	0.500	12.70	0.250	6.35	0.000	0.00	0.130	3.30	5	-	-	-
68648-005	14	0.900	22.86	0.600	15.24	0.350	8.89	0.000	0.00	0.130	3.30	6	-	-	-
68648-006	16	1.000	25.40	0.700	17.78	0.350	8.89	0.000	0.00	0.130	3.30	7	-	-	-
68648-007	18	1.100	27.94	0.800	20.32	0.450	11.43	0.000	0.00	0.130	3.30	8	-	-	-
68648-008	20	1.200	30.48	0.900	22.86	0.150	3.81	0.850	21.59	0.130	3.30	9	-	-	-
68648-009	22	1.300	33.02	1.000	25.40	0.150	3.81	0.950	24.13	0.130	3.30	10	-	-	-
68648-010	24	1.400	35.56	1.100	27.94	0.150	3.81	1.050	26.67	0.130	3.30	11	-	-	-
68648-011	26	1.500	38.10	1.200	30.48	0.150	3.81	1.150	29.21	0.130	3.30	12	-	-	-
68648-012	28	1.600	40.64	1.300	33.02	0.150	3.81	1.250	31.75	0.130	3.30	13	-	-	-
68648-013	30	1.700	43.18	1.400	35.56	0.150	3.81	1.350	34.29	0.130	3.30	14	-	-	-
68648-014	32	1.800	45.72	1.500	38.10	0.150	3.81	1.450	36.83	0.130	3.30	15	-	-	-
68648-015	34	1.900	48.26	1.600	40.64	0.150	3.81	1.550	39.37	0.130	3.30	16	-	-	-
68648-016	36	2.000	50.81	1.700	43.18	0.150	3.81	1.650	41.91	0.130	3.30	17	-	-	-
68648-017	38	2.100	53.34	1.800	45.72	0.150	3.81	1.750	44.45	0.130	3.30	18	-	-	-
68648-018	40	2.200	55.88	1.900	48.26	0.150	3.81	1.850	46.99	0.130	3.30	19	-	-	-
68648-019	42	2.300	58.42	2.000	50.80	0.150	3.81	1.950	49.53	0.130	3.30	20	-	-	-
68648-020	44	2.400	60.96	2.100	53.34	0.150	3.81	2.050	52.07	0.130	3.30	21	-	-	-
68648-021	46	2.500	63.50	2.200	55.88	0.150	3.81	2.150	54.61	0.130	3.30	22	-	-	-
68648-022	48	2.600	66.04	2.300	58.42	0.150	3.81	2.250	57.15	0.130	3.30	23	-	-	-
68648-023	50	2.700	68.58	2.400	60.96	0.150	3.81	2.350	59.69	0.130	3.30	24	-	-	-
68648-024	52	2.800	71.12	2.500	63.50	0.150	3.81	2.450	62.23	0.130	3.30	25	-	-	-
68648-025	54	2.900	73.66	2.600	66.04	0.150	3.81	2.550	64.77	0.130	3.30	26	-	-	-
68648-026	56	3.000	76.20	2.700	68.58	0.150	3.81	2.650	67.31	0.130	3.30	27	-	-	-
68648-027	58	3.100	78.74	2.800	71.12	0.150	3.81	2.750	69.85	0.130	3.30	28	-	-	-
68648-028	60	3.200	81.28	2.900	73.66	0.150	3.81	2.850	72.39	0.130	3.30	29	-	-	-
68648-029	62	3.300	83.82	3.000	76.20	0.150	3.81	2.950	74.93	0.130	3.30	30	-	-	-
68648-030	64	3.400	86.36	3.100	78.74	0.150	3.81	3.050	77.47	0.130	3.30	31	-	-	-



FCJconnect.com

Copyright FCJ

mat'l. code		surface ISO 1302 <input checked="" type="checkbox"/>		tolerance ISO 406 ISO 1101		projection 		product family HEADER	
ltr		ecn no dr		date		tolerances unless otherwise specified		title	
F						angles linear .XX±.01/XX±0.3 .XXX±.005/XX±0.13 .XXXX±.0020/XXX±0.051		INCH/MM scale 3:1	
						dr COPENHAVER 7/10/84		dwg no sheet 3 of 4 size	
						enr P. SMITH 4/10/85		68648 A3	
						chr P. SMITH 4/10/85		type Product Customer Drawing	
						appd P. SMITH 4/10/85			
sheet index		revision sheet							

PRODUCT NO	NO.OF	DIM C	DIM C	DIM B	DIM B	REAR SLOT WIDTH				DIM H	DIM H	'A'	-	-
						DIM D	DIM D	DIM E	DIM E					
NOTE 10	PINS	ENGLISH	METRIC	ENGLISH	METRIC	ENGLISH	METRIC	ENGLISH	METRIC	ENGLISH	METRIC	SPACES	-	-
68648-031	66	3.500	88.90	3.200	81.28	0.150	3.81	3.150	80.01	0.130	3.30	32	-	-
68648-032	68	3.600	91.44	3.300	83.82	0.150	3.81	3.250	82.55	0.130	3.30	33	-	-
68648-033	70	3.700	93.98	3.400	86.36	0.150	3.81	3.350	85.09	0.130	3.30	34	-	-
68648-034	72	3.800	96.52	3.500	88.90	0.150	3.81	3.450	87.63	0.130	3.30	35	-	-
68648-035	10	0.700	17.78	0.400	10.16	0.250	6.35	0.000	0.00	0.155	3.94	4	-	-
68648-036	14	0.900	22.86	0.600	15.24	0.350	8.89	0.000	0.00	0.155	3.94	6	-	-
68648-037	20	1.200	30.48	0.900	22.86	0.150	3.81	0.850	21.59	0.155	3.94	9	-	-
68648-038	26	1.500	38.10	1.200	30.48	0.150	3.81	1.150	29.21	0.155	3.94	12	-	-
68648-039	32	1.800	45.72	1.500	38.10	0.150	3.81	1.450	36.83	0.155	3.94	15	-	-
68648-040	40	2.200	55.88	1.900	48.26	0.150	3.81	1.850	46.99	0.155	3.94	19	-	-
68648-041	50	2.700	68.58	2.400	60.96	0.150	3.81	2.350	59.69	0.155	3.94	24	-	-
68648-042	I N A C	T I V E												
68648-043	I N A C	T I V E												
68648-044	I N A C	T I V E												



Copyright FCI

mat'l. code		surface ISO 1302 <input checked="" type="checkbox"/>		tolerance ISO 406 ISO 1101		projection 		product family HEADER	
ltr	ecn no	dr	date	tolerances unless otherwise specified		INCH/MM		title	
F				angles	linear	.XX±.01/XX±0.3 .XXX±.005/XX±0.13 .XXXX±.0020/XXX±0.051		STRAIGHT HEADER FOR FLAT CABLE RECEPT.	
				0'±2'		scale 3:1		dwg no sheet 4 of 4 size	
				dr	COPENHAVER	7/10/84		68648 A3	
				enr	P. SMITH	4/10/85			
				chr	P. SMITH	4/10/85			
				appd	P. SMITH	4/10/85		type Product Customer Drawing	
sheet index	revision sheet								

