

PRODUCT NUMBER  
6 4 9 9 1 - X X X - X X X X X LF

PLATING  
S=15μ"[0.38μm] GOLD ON CONTACT AREA  
100μ"[2.54μm] PURE TIN ON TAIL  
G=30μ"[0.76μm] GOLD ON CONTACT AREA  
100μ"[2.54μm] PURE TIN ON TAIL

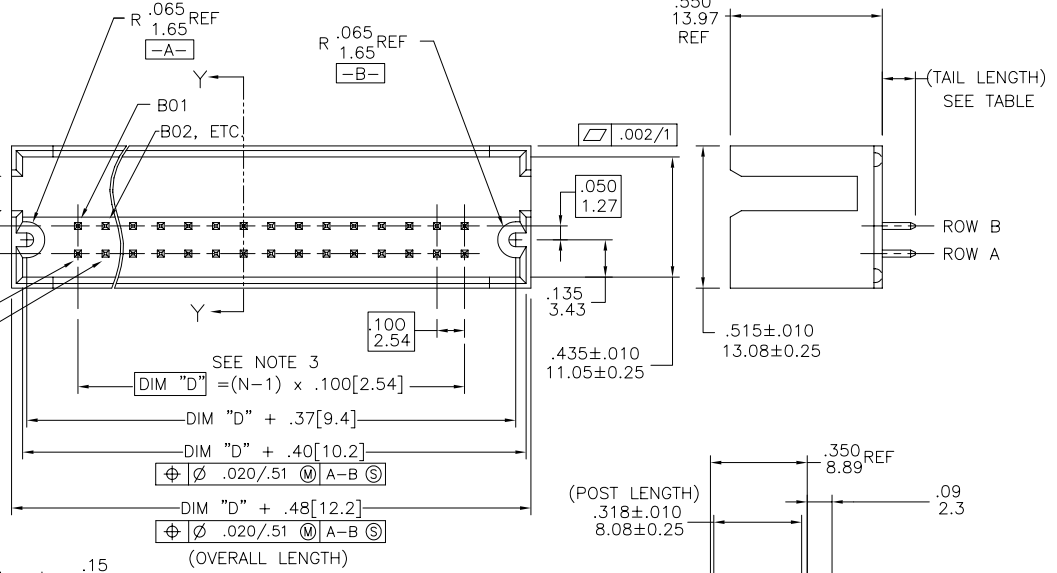
| STYLE | TAIL LENGTH |
|-------|-------------|
| 3     | .090/2.29   |
| 4     | .120/3.05   |

LEAD FREE OPTION (NOTE 9,11)

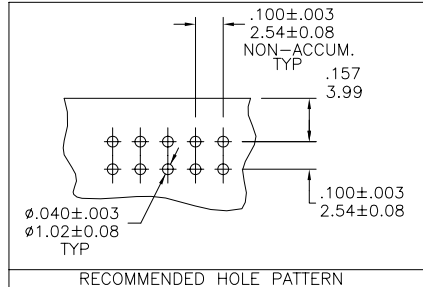
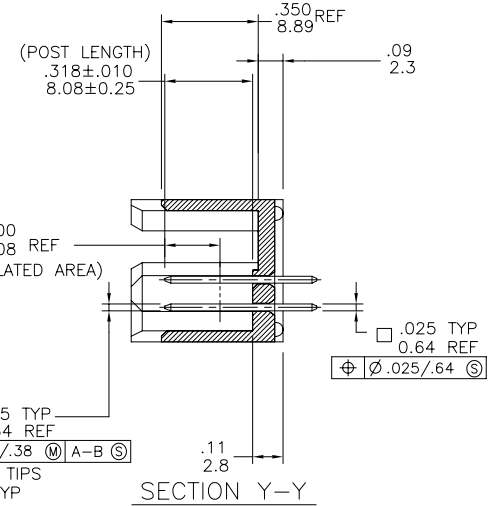
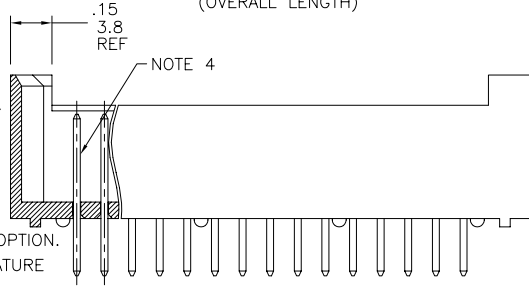
RETENTION  
R=RETENTIVE LEG  
NOTE 6

POLARIZATION  
NOTE 8

POSITIONS PER ROW  
05 TO 50



- HOUSING MAT'L: HIGH TEMPERATURE THERMOPLASTIC. UL94V-0
- PIN MATERIAL: PHOSPHOR-BRONZE
- COLOR: BLACK  
TO DETERMINE DIMENSION  
N= NUMBER OF POSITONS PER ROW  
EXAMPLE: 10 POS., (N-1) X .100/2.54=.900/22.87
- 3LBS./1.36 KG MIN. RETENTION IN EITHER DIRECTION.
- PACKAGED IN TRAYS.
- RETENTIVE LEG:  
5LB/2.3KG MAX INSERTION FORCE AND .25LB./1KG MIN RETENTION FORCE PER RETENTIVE PIN USING .062/1.57 THICK CIRCUIT BOARD AND RECOMMENDED HOLE PATTERN. RETENTIVE LOCATION AT THE DISCRETION OF THE MANUFACTURER. RETENTION IS TWO PINS PER PART ADJACENT TO ONE ANOTHER. OMIT FROM PRODUCT NUMBER IF THIS FEATURE IS NOT APPLICABLE.
- UNDER PLATING 50μ"/1.27μm Ni.
- FOR POLARIZATION SPECIFY POSITION NUMBER (e.i., A03=ROW A POS. 3) TO OMIT PIN IF FEATURE IS NOT APPLICABLE, REMOVE FROM PRODUCT NUMBER.
- ADD "LF" SUFFIX AT THE END OF PART NUMBER FOR LEAD FREE OPTION.
- THE HOUSING WILL WITHSTAND EXPOSURE TO 260°C PEAK TEMPERATURE FOR 15 SECONDS IN A WAVE SOLDER APPLICATION WITH A 1.5mm MINIMUM THICK CIRCUIT BOARD. SEE APPLICATION NOTES/PROCEDURES IF THEY ARE AVAILABLE.
- IF "LF" P/N THE PRODUCT MEETS EUROPEAN UNION DIRECTIVES AND OTHER COUNTRY REGULATION AS DESCRIBED IN GS-22-008.



| mat'l. code |                | surface    |         | tolerance                             |                  | projection |  | product family                  |                               |  |
|-------------|----------------|------------|---------|---------------------------------------|------------------|------------|--|---------------------------------|-------------------------------|--|
| NOTES 1 & 2 |                | ISO 1302 ✓ |         | ISO 406<br>ISO 1101                   |                  | INCH/MM    |  | HEADER                          |                               |  |
| ltr         | ecn no dr      | date       |         | tolerances unless otherwise specified |                  |            |  | title                           |                               |  |
| A           | V92814         | DAI        | 8/24/99 | angles                                | .XX±.01/.3       |            |  | .100/2.54cc GUIDE PIN (SLOTTED) |                               |  |
| B           | V11526         | DAI        | 5/21/01 | linear                                | .XXX±.005/.13    |            |  | SHROUDED VERTICAL HEADER        |                               |  |
| C           | V212895        | TAB        | 1/09/03 | 0'±2'                                 | .XXXX±.0020/.051 | scale 1:1  |  | dwg no sheet 1 of 1 size        |                               |  |
| D           | M05-0089       | MHT        | 5/20/05 | dr                                    | D. INGRAM        | 6/02/99    |  |                                 | 64991 A3                      |  |
| E           | M07-0116       | AGS        | 2/19/07 | enr                                   | H. SUNDY         | 7/21/99    |  |                                 | type Product Customer Drawing |  |
|             |                |            |         | chr                                   | H. SUNDY         | 7/21/99    |  |                                 |                               |  |
|             |                |            |         | appd                                  | H. SUNDY         | 7/21/99    |  |                                 |                               |  |
| sheet index | revision sheet | E          | 1       |                                       |                  |            |  |                                 |                               |  |

Copyright FCJ  
FCIconnect.com