

NOTES

1. ターミナル及びネイル平坦度は 0.1 MAX.  
TERMINAL AND NAIL COPLANARITY TO BE 0.1 MAX.

2.

カード装着状態 CARD INSERTION STATE	プロテクトスイッチ PROTECT SWITCH		ディテクトスイッチ DETECT SWITCH
	書き込み禁止状態 READ-ONLY	書き込み可能状態 WRITE ENABLE	
カード未装着 CARD UNINSERTION	クローズ CLOSE	クローズ CLOSE	クローズ CLOSE
カード装着 CARD INSERTION	クローズ CLOSE	オープン OPEN	オープン OPEN

3. 本製品は 54768-0902 の鉛フリー品である。  
THIS PRODUCT IS LEAD FREE OF 54768-0902.

EC NO. DRWN: CHK: APPR:	EC NO. DRWN: CHK: APPR:	EC NO. DRWN: CHK: APPR:	EC NO. DRWN: CHK: APPR:	EC NO. DRWN: CHK: APPR:

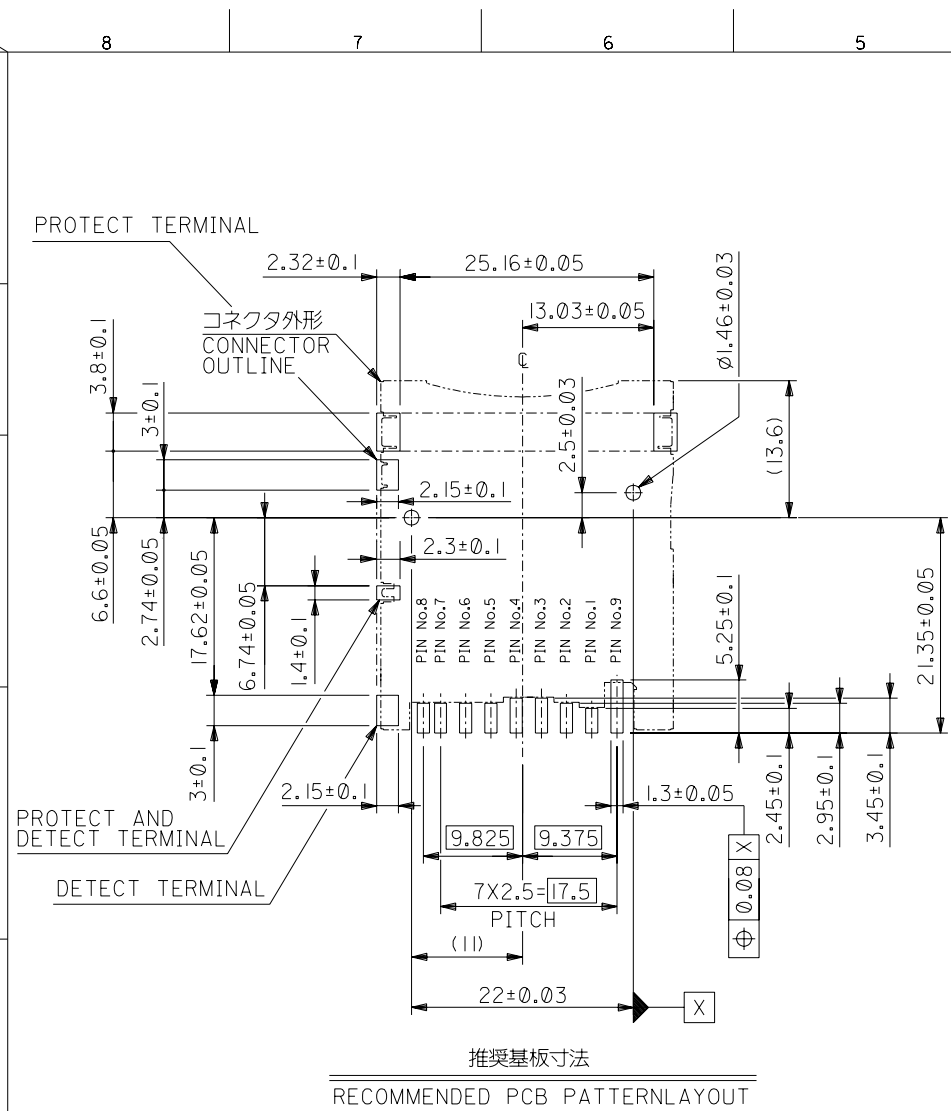
RELEASED  
EC NO. J2004-4339  
DRWN: H. KAWABATA 04/05/19  
CHK: K. TOJO 04/05/19  
APPR: M. SASAO 04/05/19

MATERIAL 材料	表記参照 SEE CHART
FINISH 仕上げ	表記参照 SEE CHART
WIRE RANGE 適用電線範囲	#
INS. RANGE 被覆外径	#

GENERAL TOLERANCES: (UNLESS SPECIFIED) 一般公差	SCALE 2 : 1	DESIGN UNITS <input checked="" type="checkbox"/> mm <input type="checkbox"/> INCH
10 UNDER 未満	±0.2	
10 OVER 30 UNDER 未満	±0.25	
30 OVER 以上	±0.3	
ANGLE 角度	±3°	

MODEL NO. 54768-***72	DIMENSIONS: <input type="checkbox"/> mm <input type="checkbox"/> INCH <input checked="" type="checkbox"/> mm ONLY	SHT 9	REV CIRCUIT
TITLE: SD MEMORY CARD CONN. EJECT MECHANISM FOR PUSH/PUSH ASS'Y (REVERSE TYPE) -LEAD FREE-	APPROVED BY & DATE H. Sasao 04/05/19	MATERIAL NO. SEE CHART	
CAD FILENAME SD-54768-012.S01	DRAWING NO. SD-54768-012	SHEET NO. 1 OF 2	
THIS DRAWING CONTAINS INFORMATION THAT IS PROPRIETARY TO MOLEX INCORPORATED AND SHOULD NOT BE USED WITHOUT WRITTEN PERMISSION.			SIZE B

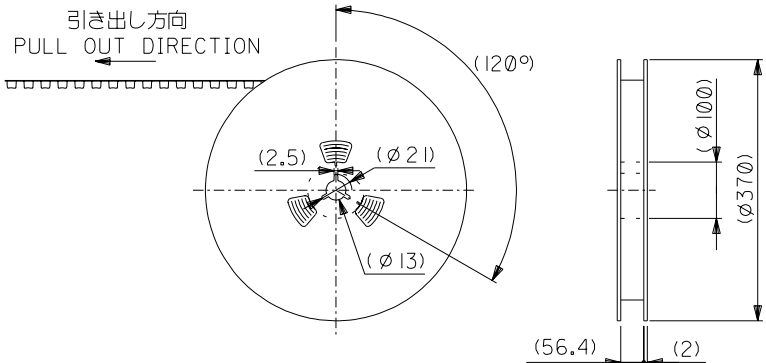
DWG. NO. SD-54768-012



NO.	PARTS	QT'Y	MATERIAL	FINISHE
⑩	ネイル NAIL	2	銅合金 COPPER ALLOY	錫メッキ TIN PLATING
⑨	ディテクトターミナル DETECT TERMINAL	1	銅合金 COPPER ALLOY	接点部：金メッキ SELECTIVE GOLD PLATING
⑧	プロテクト & ディテクトターミナル PROTECT AND DETECT TERMINAL	1	銅合金 COPPER ALLOY	接点部：金メッキ SELECTIVE GOLD PLATING
⑦	プロテクトターミナル PROTECT TERMINAL	1	銅合金 COPPER ALLOY	接点部：金メッキ SELECTIVE GOLD PLATING
⑥	スプリング SPRING	1	ピアノ線 SWP	—#—
⑤	ピン PIN	1	ステンレス鋼 STAINLESS STEEL	—#—
④	金属カバー METAL COVER	1	ステンレス鋼 STAINLESS STEEL	—#—
③	ターミナル TERMINAL	9	銅合金 COPPER ALLOY	接点部：金メッキ SELECTIVE GOLD PLATING
②	スライダーカム SLIDER CAM	1	耐熱樹脂，UL94V-0 色：黒 HEAT RESISTANCE POLYMER UL94V-0, BLACK	—#—
①	ハウジング HOUSING	1	耐熱樹脂，UL94V-0 色：黒 HEAT RESISTANCE POLYMER UL94V-0, BLACK	—#—

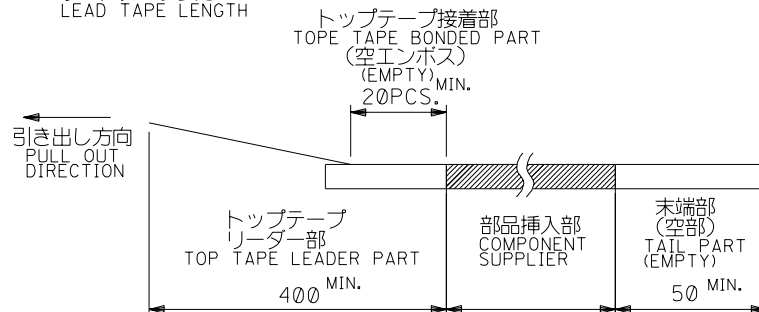
DO NOT SCALE DRAWING

EC NO. DRWN: CHK: APPR:	EC NO. DRWN: CHK: APPR:	EC NO. DRWN: CHK: APPR:	EC NO. DRWN: CHK: APPR:	EC NO. DRWN: CHK: APPR:	<p>RELEASED EC NO. J2004-4339 DRWN: H. KAWABATA 04/05/20 CHK: K. TOJO 04/05/20 APPR: M. SASAO 04/05/20</p>	<p>MATERIAL 材料</p> <p>表記参照 SEE CHART</p> <p>FINISH 仕上げ</p> <p>表記参照 SEE CHART</p> <p>WIRE RANGE 適用電線範囲</p> <p>INS. RANGE 被覆外径</p>	<p>GENERAL TOLERANCES: (UNLESS SPECIFIED) 一般公差</p> <p>10 UNDER 未滿 ±0.2</p> <p>10 OVER 以上 30 UNDER 未滿 ±0.25</p> <p>30 OVER 以上 ±0.3</p> <p>ANGLE 角度 ±3°</p>	<p>SCALE 2 : 1</p> <p>DESIGN UNITS <input checked="" type="checkbox"/> mm <input type="checkbox"/> INCH</p> <p>THIRD ANGLE PROJECTION</p> <p>DRAWN BY &amp; DATE H. KAWABATA 04/05/20</p> <p>CHECKED BY &amp; DATE K. TOJO 04/05/20</p> <p>APPROVED BY &amp; DATE M. SASAO 04/05/20</p> <p>CAD FILENAME SD-54768-012.S02</p>	<p>MODEL NO. 54768-**72</p> <p>TITLE: SD MEMORY CARD CONN. EJECT MECHANISM FOR PUSH/PUSH ASS'Y (REVERSE TYPE) -LEAD FREE-</p> <p><b>MOLEX INCORPORATED</b></p> <p>MATERIAL NO. SEE CHART</p> <p>DRAWING NO. SD-54768-012</p> <p>SHEET NO. 2</p>	<p>DIMENSIONS: <input type="checkbox"/> mm <input type="checkbox"/> INCH <input checked="" type="checkbox"/> mm ONLY</p> <p>SHT</p> <p>REV REVISE ON CAD ONLY</p>
----------------------------------	----------------------------------	----------------------------------	----------------------------------	----------------------------------	--	--	---	--	---	---



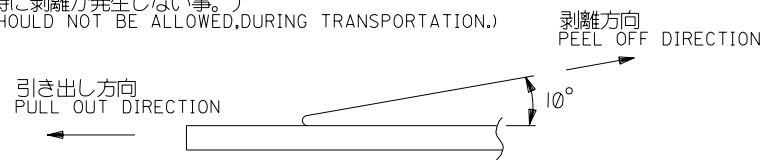
注)  
NOTES

- 製品番号 54768-0972 詳細寸法については、製品単体図面を参照下さい。  
IN THE PACKAGE PART NUMBER 54768-0972 DETAILED DIMENSIONS, SEE SALES DRAWING FOR CONNECTOR.
- 梱包数量：400個/リール  
NUMBER OF CONNECTORS:400 PCS/REEL.
- リードテープ長さ  
LEAD TAPE LENGTH



- トップテープの剥離強度：(剥離方向は下図参照)  
PEELING OFF FORCE OF TOP TAPE (PELLING DIRECTION AS SHOWN IN FOLLOWING FIGURE.)  
0.1~1.3N {10~130gf}

尚、本規格値は、出荷時に適用。  
THIS REQUIREMENT SHOULD BE APPLIED AT SHIPMENT.  
(但し、輸送時に剥離が発生しない事。)  
(PEEL OFF SHOULD NOT BE ALLOWED, DURING TRANSPORTATION.)



- 材料  
MATERIAL  
キャリアテープ：ポリプロピレン (PP)  
CARRIER TAPE: POLYPROPYLENE (PP)  
トップテープ：PET, PE, PEF  
TOP TAPE: PET, PE, PEF  
リール：紙  
REEL: CARD BOARD
- 本製品は54768-0907の鉛フリー品である。  
THIS PRODUCT IS LEAD FREE OF 54768-0907.

54768-0977  
製品番号  
MATERIAL NO.

DO NOT SCALE DRAWING

EC NO. DRAWN: CHK'g: APPR:	EC NO. DRAWN: CHK'g: APPR:	EC NO. DRAWN: CHK'g: APPR:	EC NO. DRAWN: CHK'g: APPR:	EC NO. DRAWN: CHK'g: APPR:	RELEASED ECNNO. J2004-4339 DRAWN: H. KAWABATA '04/05/20 CHK'g: K. TOJO '04/05/20 APPR: M. SASAO '04/05/20	MATERIAL 材料 注記参照 SEE NOTES	GENERAL TOLERANCES: (UNLESS SPECIFIED) 一般公差	SCALE NONE	MODEL NO. 54768-**77	DIMENSIONS: <input type="checkbox"/> mm <input type="checkbox"/> INCH <input checked="" type="checkbox"/> mm <input type="checkbox"/> INCH	SHT REV
					FINISH 仕上げ 注記参照 SEE NOTES	WIRE RANGE 適用電線範囲	DRAWN BY & DATE H. KAWABATA '04/05/20	DESIGN UNITS <input checked="" type="checkbox"/> mm <input type="checkbox"/> INCH	TITLE: 54768-0972 TAPING PACKAGE -LEAD FREE-	SHT REV	
					INS. RANGE 被覆外径	ANGLE 角度	CHECKED BY & DATE K. TOJO '04/05/20	THIRD ANGLE PROJECTION	MOLEX MOLEX INCORPORATED	SHT REV	
					REV	CAD FILENAME SD-54768-013.S01	APPROVED BY & DATE H. Sasao '04/05/20	MATERIAL NO. SEE CHART	DRAWING NO. SD-54768-013	SHEET NO. 1 OF 2	
										THIS DRAWING CONTAINS INFORMATION THAT IS PROPRIETARY TO MOLEX INCORPORATED AND SHOULD NOT BE USED WITHOUT WRITTEN PERMISSION.	SIZE B

DWG. NO.  
SD-54768-013

F

D

C

B

DO NOT SCALE DRAWING

8 7 6 5 4 3 2 1

F

E

D

C

B

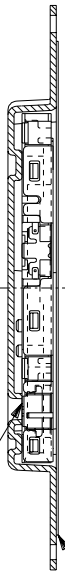
A

56巾テープ  
56 WIDTH TAPE

(36)  
PITCH

X

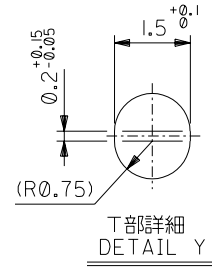
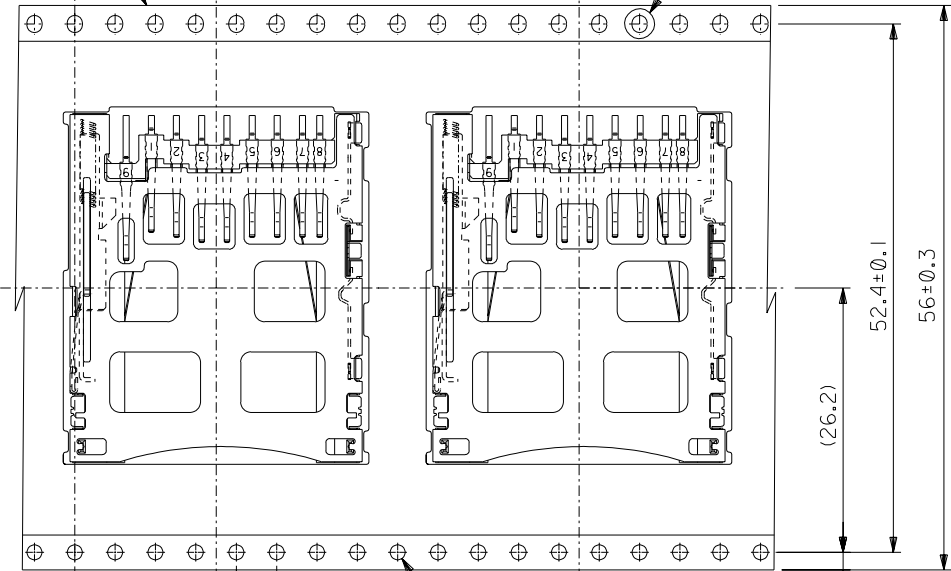
Y



54768-0972  
CONN. ASS'Y

トップテープ  
TOP TAPE

断面 X-X  
SECTION X-X



下音階詳細  
DETAIL Y

(2)

∅ 1.5<sup>+0.1</sup><sub>0</sub>

4±0.1

累積ピッチ : 40±0.2  
ACCUMULATIVE PITCH : 40±0.2

引き出し方向  
PULL OUT DIRECTION

EC NO.	DRWN:	CH'K:	APPR:
EC NO.	DRWN:	CH'K:	APPR:
EC NO.	DRWN:	CH'K:	APPR:
EC NO.	DRWN:	CH'K:	APPR:

RELEASED  
ECNNO. J2004-4339  
DRWN:H.KAWABATA '04/05/20  
CH'K: K.TOJO '04/05/20  
APPR:M.SASAO '04/05/20

MATERIAL 材料	#
FINISH 仕上げ	#
WIRE RANGE 適用線径範囲	#
INS. RANGE 被覆外径	#

GENERAL TOLERANCES: (UNLESS SPECIFIED) 一般公差	10 UNDER 未満	±0.2
	10 OVER 30 UNDER 以上 未満	±0.25
	30 OVER 以上	±0.3
ANGLE 角度		±3°

MODEL NO.	54768-***77	DIMENSIONS:	SHT	REV
DESIGN UNITS	☑ mm ☐ INCH	☐ mm ☐ INCH ☑ mm ONLY		
THIRD ANGLE PROJECTION	☉			
DRAWN BY & DATE	H.KAWABATA '04/05/20	TITLE:		
CHECKED BY & DATE	K.TOJO '04/05/20	54768-0972 TAPING PACKAGE		
APPROVED BY & DATE	M. Sasaki '04/05/20	-LEAD FREE-		
CAD FILENAME	SD-54768-013.S02	MOLEX MOLEX INCORPORATED		
MATERIAL NO.	SEE CHART	DRAWING NO.	SD-54768-013	SHEET NO.
				2

THIS DRAWING CONTAINS INFORMATION THAT IS PROPRIETARY TO MOLEX INCORPORATED AND SHOULD NOT BE USED WITHOUT WRITTEN PERMISSION. SIZE B

8 7 6 5 4 3 2 1 EN-02J(097) MXJ-54