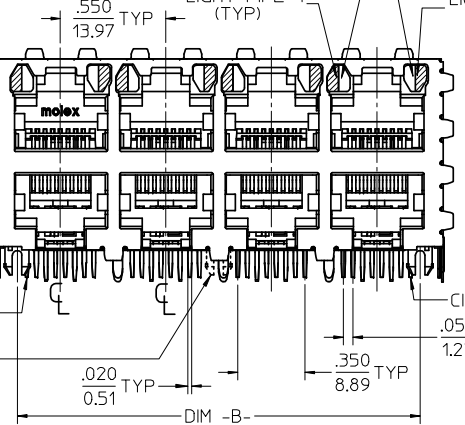


.052
1.32 TYP

DIM -A-

LIGHT PIPE 3 (TYP)
LIGHT PIPE 2 (TYP)
LIGHT PIPE 4 (TYP)
LIGHT PIPE 1 (TYP)

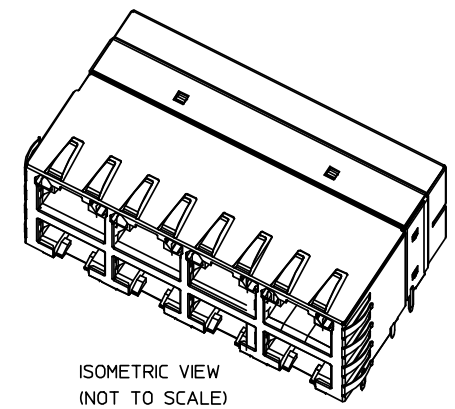
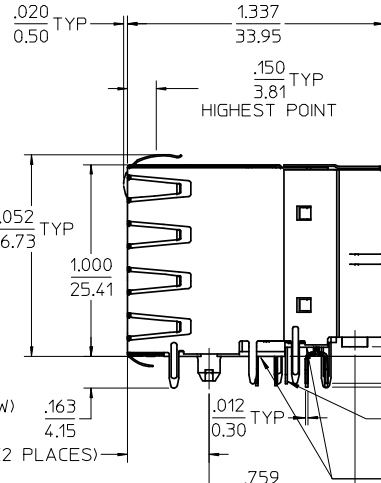
OPTIONAL
SIDE PANEL
GROUND TABS
TYP (8)
SEE NOTE 9



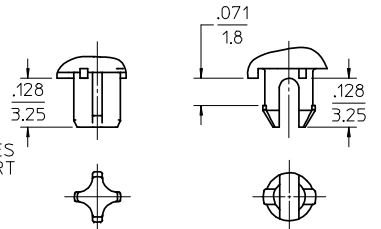
CIRCUIT #1 (BOTTOM ROW)
SNAP-FIT CENTER PEG
(16 PORT VERSIONS ONLY)

CIRCUIT #1 (TOP ROW)
.050 TYP
1.27
.350 TYP
8.89

DIM -B-



ISOMETRIC VIEW
(NOT TO SCALE)



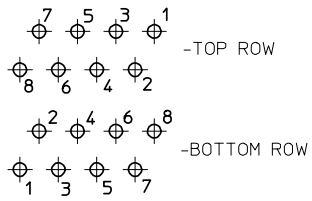
PRESS-FIT PEG
STYLE (NOTE 6)

SNAP-FIT PEG
STYLE (NOTE 6)

- NOTES:
- MATERIAL:
HOUSING: POLYESTER(PBT), GLASS FILLED, UL94V-0, COLOR: BLACK
LIGHT PIPES: POLYCARBONATE, UL-94HB, COLOR: CLEAR
TERMINALS: PHOSPHOR BRONZE
SHIELD: BRASS
 - FINISH:
TERMINALS:
SELECT GOLD IN CONTACT AREA: 50 MICROINCHES / 1.27 MICROMETERS MIN.
*SELECT TIN IN PC TAIL AREA: 100 MICROINCHES / 2.54 MICROMETERS MIN.,
WITH OVERALL NICKEL UNDERPLATE: 50 MICROINCHES / 1.27 MICROMETERS MIN.
SHIELD:
*100 MICROINCHES / 2.54 MICROMETERS NICKEL OVER 50 MICROINCHES /
1.27 MICROMETERS COPPER UNDERPLATE PCB GROUND TABS DIPPED IN TIN
*THE PRIMARY SHIPPING CARTON WILL BE LABELED "COMPLIANT TO RoHS DIRECTIVE
2002/95/EC AND ELV ANNEX II OF DIRECTIVE 2000/53/EC". CARTONS WITHOUT THIS
LABEL MAY CONTAIN PRODUCT WITH TIN-LEAD IN THE PC TAILS AND/OR SHIELD.
 - PRODUCT SPECIFICATION AND PROCESSING PARAMETERS: PS-44050-003.
 - PACKAGING SPECIFICATION: CONNECTOR PACKAGED IN THERMOFORMED TRAYS PER PK-44170-003.
 - APPLICATION SPECIFICATION: AS-43860-001
 - CONNECTORS AVAILABLE WITH EITHER SNAP-FIT OR PRESS-FIT PEGS.
 - CONFORMS TO FCC REGULATION PART 68.5 FOR MODULAR JACKS.
 - PCB LAYOUT AND PANEL CUT-OUT SHOWN ON SHEET (2) OF (2).
 - AVAILABLE WITH THE (8) PANEL GROUND TABS REMOVED ON EACH SIDE
FOR SIDE TO SIDE STACKABILITY.
 - TERMINAL LENGTHS MAY BE DIFFERENT FROM TERMINAL TO TERMINAL.
 - THIS PART CONFORMS TO CLASS B REQUIREMENTS OF COSMETIC
SPECIFICATION PS-45499-002 WITH THE EXCEPTION OF THE SURFACE
INDICATED WHICH IS A CLASS C SURFACE.

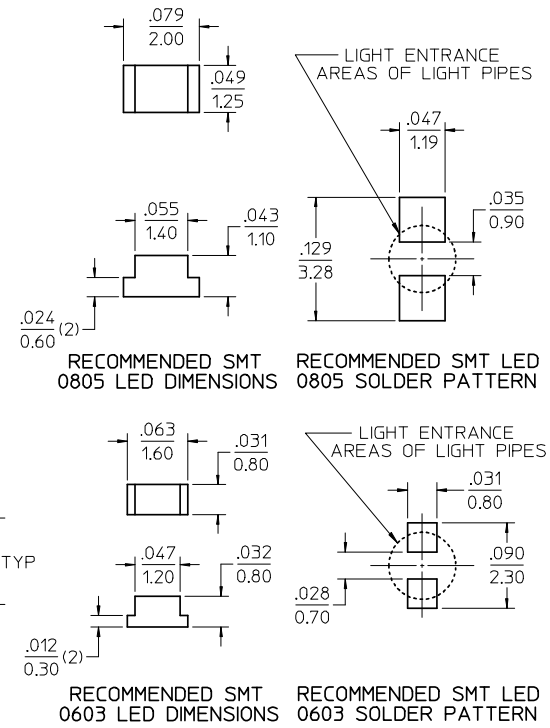
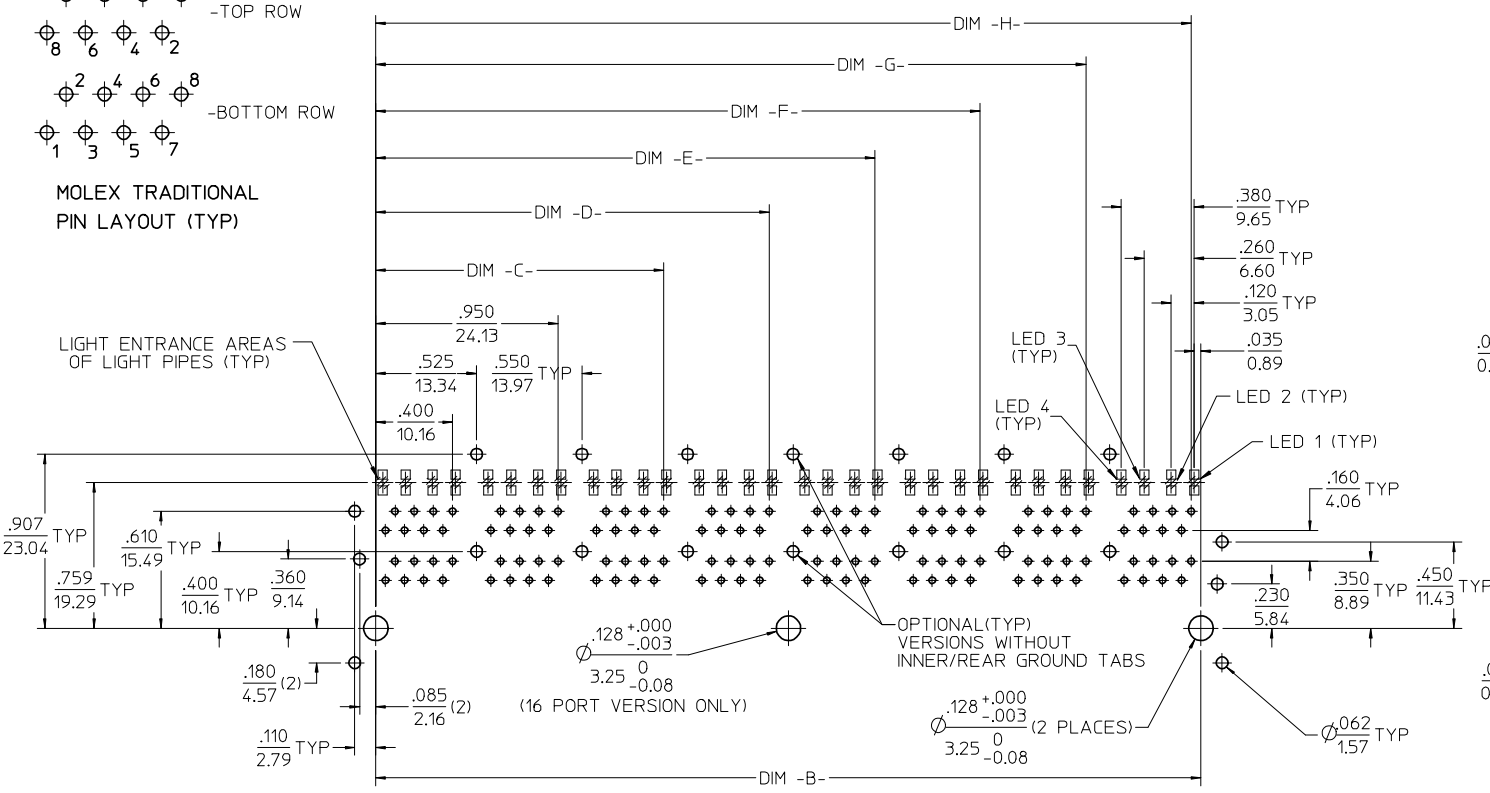
ASSEMBLY MATERIAL NUMBER	NUMBER OF PORTS	PEG STYLE	DIM -A-	DIM -B-	SIDE PANEL GROUND TABS	INNER/REAR GROUND TABS
44170-0001	8 (2 X 4)	SNAP-FIT	2.330/59.18	2.100/53.34	YES	YES
44170-2001	8 (2 X 4)	SNAP-FIT	2.330/59.18	2.100/53.34	NO	YES
44170-3001	8 (2 X 4)	SNAP-FIT	2.330/59.18	2.100/53.34	YES	NO
44170-4001	8 (2 X 4)	SNAP-FIT	2.330/59.18	2.100/53.34	NO	NO
44170-0004	8 (2 X 4)	PRESS-FIT	2.330/59.18	2.100/53.34	YES	YES
44170-2004	8 (2 X 4)	PRESS-FIT	2.330/59.18	2.100/53.34	NO	YES
44170-3004	8 (2 X 4)	PRESS-FIT	2.330/59.18	2.100/53.34	YES	NO
44170-4004	8 (2 X 4)	PRESS-FIT	2.330/59.18	2.100/53.34	NO	NO
44170-0002	12 (2 X 6)	SNAP-FIT	3.430/87.12	3.200/81.28	YES	YES
44170-2002	12 (2 X 6)	SNAP-FIT	3.430/87.12	3.200/81.28	NO	YES
44170-3002	12 (2 X 6)	SNAP-FIT	3.430/87.12	3.200/81.28	YES	NO
44170-4002	12 (2 X 6)	SNAP-FIT	3.430/87.12	3.200/81.28	NO	NO
44170-0005	12 (2 X 6)	PRESS-FIT	3.430/87.12	3.200/81.28	YES	YES
44170-2005	12 (2 X 6)	PRESS-FIT	3.430/87.12	3.200/81.28	NO	YES
44170-3005	12 (2 X 6)	PRESS-FIT	3.430/87.12	3.200/81.28	YES	NO
44170-4005	12 (2 X 6)	PRESS-FIT	3.430/87.12	3.200/81.28	NO	NO
44170-0003	16 (2 X 8)	SNAP-FIT	4.530/115.06	4.300/109.22	YES	YES
44170-2003	16 (2 X 8)	SNAP-FIT	4.530/115.06	4.300/109.22	NO	YES
44170-3003	16 (2 X 8)	SNAP-FIT	4.530/115.06	4.300/109.22	YES	NO
44170-4003	16 (2 X 8)	SNAP-FIT	4.530/115.06	4.300/109.22	NO	NO
44170-0006	16 (2 X 8)	PRESS-FIT	4.530/115.06	4.300/109.22	YES	YES
44170-2006	16 (2 X 8)	PRESS-FIT	4.530/115.06	4.300/109.22	NO	YES
44170-3006	16 (2 X 8)	PRESS-FIT	4.530/115.06	4.300/109.22	YES	NO
44170-4006	16 (2 X 8)	PRESS-FIT	4.530/115.06	4.300/109.22	NO	NO

REVISED NOTE 11 EC NO: UCP2009-0280 DRAWN: KLOSTERMAYER 2008/08/01 CHKD: BELL 2008/08/04 APPR: FSMITH 2008/08/04	QUALITY SYMBOLS	GENERAL TOLERANCES (UNLESS SPECIFIED)	DIMENSION STYLE	SCALE	DESIGN UNITS	THIRD ANGLE PROJECTION	
	$\nabla=0$ $\nabla=0$	mm INCH 4 PLACES ± --- ± --- 3 PLACES ± --- ± .010 2 PLACES ± 0.25 ± --- 1 PLACE ± --- ± --- ANGULAR ± 1/2°	IN/MM DRAWN BY DATE MARGULIS 98/11/16 CHECKED BY DATE ROBERTS 98/11/16 APPROVED BY DATE ROBERTS 98/11/16	TITLE STACKED MODULAR JACK WITH LIGHT PIPES	2:1	INCH	
	MOLEX MOLEX INCORPORATED MATERIAL NO. SEE CHART DOCUMENT NO. SD-44170-001 SHEET NO. 1 OF 2	DRAFT WHERE APPLICABLE MUST REMAIN WITHIN DIMENSIONS THIS DRAWING CONTAINS INFORMATION THAT IS PROPRIETARY TO MOLEX INCORPORATED AND SHOULD NOT BE USED WITHOUT WRITTEN PERMISSION					

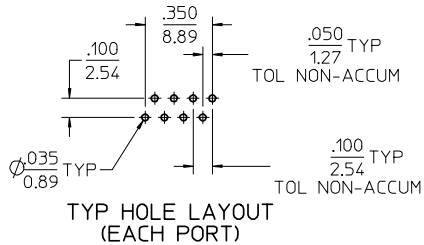


MOLEX TRADITIONAL
PIN LAYOUT (TYP)

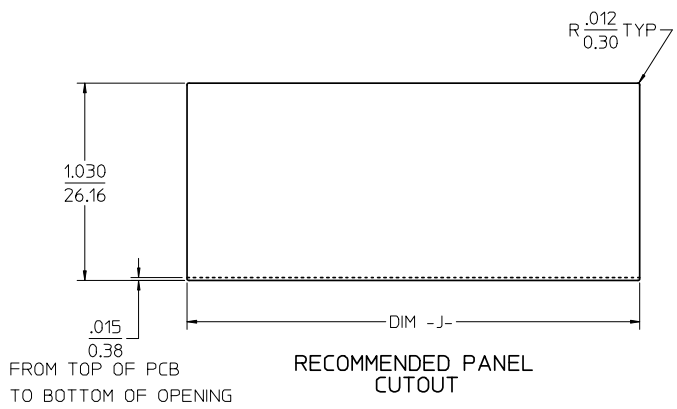
LIGHT ENTRANCE AREAS
OF LIGHT PIPES (TYP)



PC BOARD LAYOUT: COMPONENT SIDE
RECOMMENDED PCB THICKNESS: .062/1.57
(16 PORT VERSION SHOWN)



- NOTES:
1. SEE MOLEX WEB SITE FOR CROSS REFERENCE OF RECOMMENDED LED'S.



NUMBER OF PORTS	DIM -B-	DIM -C-	DIM -D-	DIM -E-	DIM -F-	DIM -G-	DIM -H-	DIM -J-
8 (2 X 4)	2.100/53.34	1.500/38.10	2.050/52.07					2.360/59.94
12 (2 X 6)	3.200/81.28	1.500/38.10	2.050/52.07	2.600/66.04	3.150/80.01			3.460/87.88
16 (2 X 8)	4.300/109.22	1.500/38.10	2.050/52.07	2.600/66.04	3.150/80.01	3.700/93.98	4.250/107.95	4.560/115.82

SEE SHEET 1 EC NO: UCP2009-0280 DRWN: KLOSTEMEIER 2008/08/01 CHKD: J.BELL 2008/08/04 APPR: FSM ITH 2008/08/04	QUALITY SYMBOLS	GENERAL TOLERANCES (UNLESS SPECIFIED)	DIMENSION STYLE	SCALE	DESIGN UNITS	THIRD ANGLE PROJECTION
	▽=0	mm INCH	IN/MM	2:1	INCH	
	▽=0	4 PLACES ± --- ± --- 3 PLACES ± --- ± .010 2 PLACES ± .25 ± --- 1 PLACE ± --- ± ---	DRAWN BY DATE MARGULIS 98/11/16	TITLE		
		ANGULAR ±1/2°	CHECKED BY DATE ROBERTS 98/11/16	STACKED MODULAR JACK WITH LIGHT PIPES		
		DRAFT WHERE APPLICABLE MUST REMAIN WITHIN DIMENSIONS	APPROVED BY DATE ROBERTS 98/11/16	MATERIAL NO.	DOCUMENT NO.	SHEET NO.
			SEE CHART		SD-44170-001	2 OF 2
			THIS DRAWING CONTAINS INFORMATION THAT IS PROPRIETARY TO MOLEX INCORPORATED AND SHOULD NOT BE USED WITHOUT WRITTEN PERMISSION			