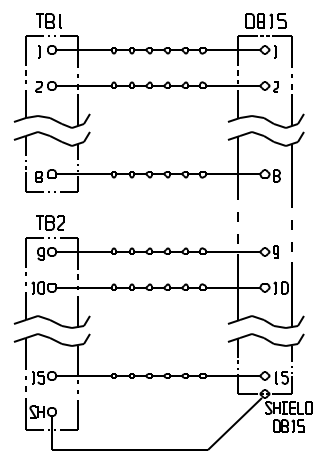
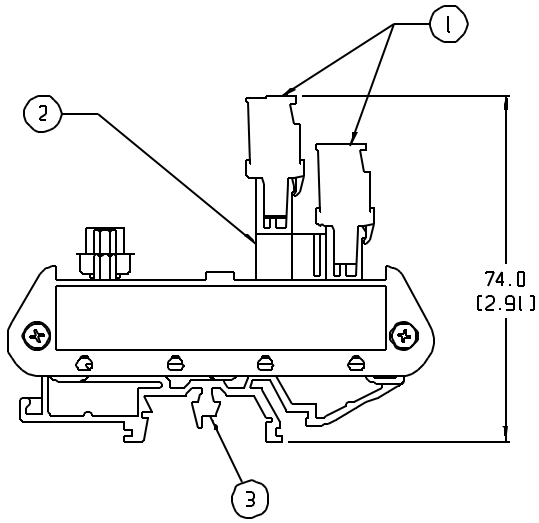


15 POSITION SHOWN



TYPICAL SCHEMATIC (15 POSITION SHOWN)

NO. OF CIRCUITS	DIM. "A"	MATERIAL NUMBER
09	39.4 [1.55]	39170-3109
15	54.4 [2.14]	39170-3115
25	79.8 [3.14]	39170-3125
37	106.4 [4.19]	39170-3137

- NOTES:
1. MATERIAL: SEE TABLE
 2. FINISHES: SEE TABLE
 3. PRODUCT SPECIFICATION: NOT REQUIRED
 4. PACKAGING: NOT REQUIRED
 5. MATES WITH: MALE D-SUB

ITEM	QTY.	DESCRIPTION	MATERIAL	FINISH
3	2	DIN RAIL ADAPTOR UNIT	THERMOPLASTIC	BLACK
2	1	FEMALE D-SUB TO 5.08 HEADER, PC BOARD ASSY.	-	-
1	2	5.08 PLUGGABLE BTS	SEE SD-39860-004	BLACK

REL NO: RELEASED DRWN: CLY CHK: [] APPR: [] REV: A	DESCRIPTION: []	QUALITY SYMBOLS: MAJOR = [] CRITICAL = [] SPC = []	GENERAL TOLERANCES: (UNLESS SPECIFIED) mm INCH 4 PLACES ±.038 ±.0015 3 PLACES ±.038 ±.005 2 PLACES ±.13 ±.01 1 PLACE ±.3 ANGULAR: ±2° DRAFT WHERE APPLICABLE MUST REMAIN WITHIN DIMENSIONS	SCALE: 1:1 DESIGN UNITS: [] mm [X] INCH DRAWN BY & DATE: C. YORK 11-09-04 CHECKED BY & DATE: [] [] APPROVED BY & DATE: [] []	THIRD ANGLE PROJECTION: [] [X]	PROJECT NO. 05-D10 DIMENSIONS: [] [] [] SHY REV [] [] REVISE ON CAD ONLY
		TITLE: DIN RAIL INTERFACE MODULE, FEMALE D-SUB TO 5.08 VERTICAL EUROSTYLE PLUG			MOLEX INCORPORATED	
		CAD FILENAME: SD-39170-001	MATERIAL NO. SEE CHART	DRAWING NO. SD-39170-001	SHEET NO. 1 OF 1 SIZE B	

THIS DRAWING CONTAINS INFORMATION THAT IS PROPRIETARY TO MOLEX (INCORPORATED) AND SHOULD NOT BE USED WITHOUT WRITTEN PERMISSION.