

IEC Appliance Connector C14 with Line Switch 1-pole



C14

 70° C

**Description**

- Panel Mount:
Screw-on version from front or rear side, snap-in version from front side
- 2 Functions:
Appliance Inlet Protection class I, Line switch 1-pole
- Quick connect terminals 4.8 x 0.8 mm
- Alternative: version with line filter [KFB1](#)
- We recommend for new applications the new type [DC11](#)

Approvals

- VDE License Number: 40021941
- UL License Number: E96454
- CSA License Number: 38456

Characteristics

- All single elements are already wired
Unwired versions available on request
- Line switch non-illuminated or illuminated

Other versions on request

- Unwired versions
- Line switch with other rocker marking
- For protection class II

Weblinks

[Approvals](#), [RoHS](#), [CHINA-RoHS](#), [e-Store](#), [SCHURTER-Stock-Check](#), [Distributor-Stock-Check](#)

Technical Data

Ratings IEC	10A / 250VAC; 50Hz
Ratings UL/CSA	10A / 250VAC; 60Hz
Dielectric Strength	> 3 kVAC between L-N > 4 kVAC between L/N-PE (1 min/50Hz)
Allowable Operation Temp.	-25°C to 70°C
Degree of Protection	from front side IP 40 acc. to IEC 60529
Protection Class	Suitable for appliances with protection class I acc. to IEC 61140
Terminal	Quick connect terminals 4.8 x 0.8 mm
Panel Thickness s	Screw-on: max 6 mm Mounting screw torque max 0.5Nm Snap-in: 1.5/ 2/ 2.5 mm
Material: Housing	Thermoplastic, black, UL 94V-0

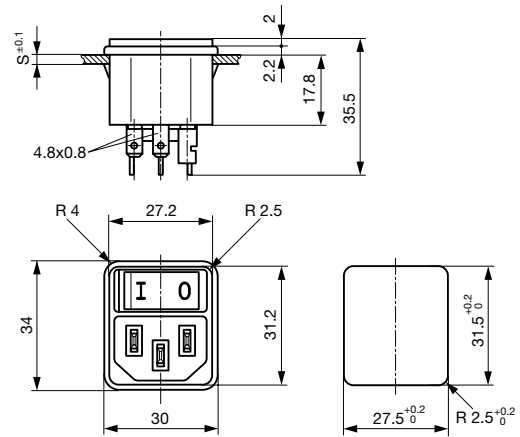
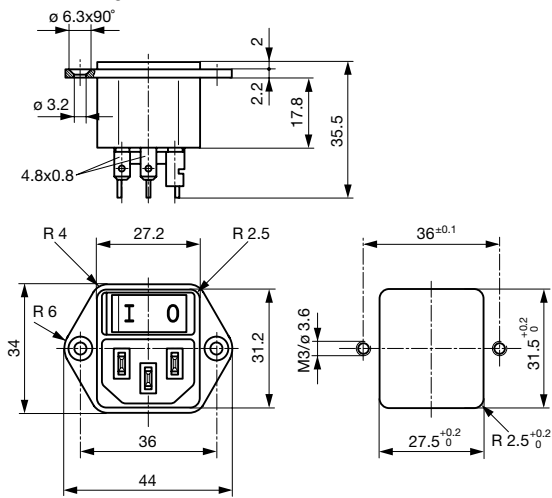
Appliance-Inlet/-Outlet	C14 acc. to IEC/EN 60320-1, UL 498, CSA C22.2 no. 42 (for cold conditions) pin-temperature 70 °C, 10A, Protection class I
Line Switch	Rocker switch 1 pole, non-illuminated or illuminated red, acc. to IEC 61058-1 Technical details

Dimensions

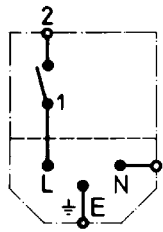
Screw-on mounting

Length |-----| 44 mm

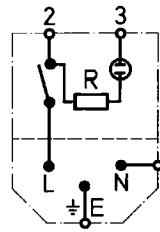
Snap-in mounting



Diagrams



non-illuminated



illuminated

Variants

[Distributor-Stock-Check](#) | [SCHURTER-Stock-Check](#) | [e-Store](#)

with internal connections

Panel mounting	Panel Thickness s [mm]	Illumination	Color	Rated voltage 250 [V]	Rated voltage 125 [V]	Order Number
Screw-on	-	-	-	-	-	4302.0001
Screw-on	-	●	red	-	125	4302.0121
Screw-on	-	●	red	250	-	4302.0101
Snap-in	1.5	-	-	-	-	4302.0002
Snap-in	2	-	-	-	-	4302.0003
Snap-in	2.5	-	-	-	-	4302.0004
Snap-in	1.5	●	red	-	125	4302.0122
Snap-in	1.5	●	red	250	-	4302.0102
Snap-in	2	●	red	-	125	4302.0123
Snap-in	2	●	red	250	-	4302.0103
Snap-in	2.5	●	red	-	125	4302.0124
Snap-in	2.5	●	red	250	-	4302.0104

Packaging unit

50 Pcs

Accessory

Description



Assorted Covers
Rear Cover

	0859.0047
	0859.0075
	4311.9403
	4311.9404



Cord retaining kits
Cord retaining strain relieve

Flat head, A	4700.0001
Countersunk, B	4700.0002

Mating Outlets/Connectors

Category / Description

Appliance Outlet



IEC appliance outlet F, screw-on mounting, front side, solder /quick connect terminal	4787
IEC appliance outlet F, screw-on mounting, front side, solder /quick connect terminal	4788
IEC appliance outlet F oder H, screw-on mounting, front side, solder/PCB/quick connect terminal	5091
IEC appliance outlet F oder H, screw-on mounting, front side, solder/quick connect terminal	5092

Connector



IEC cord connector C15, rewirable, straight	0101
IEC cord connector C15A, rewirable, straight	0102
IEC cord connector C15A, rewirable, straight	0102-G
IEC cord connector C15A, rewirable, angled	0112
IEC cord connector C13, rewirable, angled	4012
IEC cord connector C13, rewirable, angled	4013
IEC cord connector C13, rewirable, straight	4020
IEC cord connector C13, rewirable, straight	4021
IEC cord connector C13, rewirable, straight	4022
IEC cord connector C13, rewirable, angled	4300-06

...

Power Supply or Interconnection Cord



Power Cord with IEC Appliance Connector C13, angled, 70°C	0311
Power Cord with IEC Appliance Connector C13, angled, 70°C	3011
Power Cord with IEC Appliance Connector C13, angled, 70°C	3012
Power Cord with IEC Appliance Connector C13, angled, 70°C	3013
Power Cord with IEC Appliance Connector C13, 70°C	3020
Power Cord with IEC Appliance Connector C13, straight, 70°C	3027
Power Cord with IEC Appliance Connector C13, straight, 70°C	302U
Power Cord with IEC Appliance Connector C13, straight, 70°C	3030
Power Cord with IEC Appliance Connector C13, angled, 70°C	311L
Power Cord with IEC Appliance Connector C13, angled, 70°C	312L

...