

DO NOT SCALE DRAWING DIMENSION IN METRIC

DWG. NO. SD-35507-001

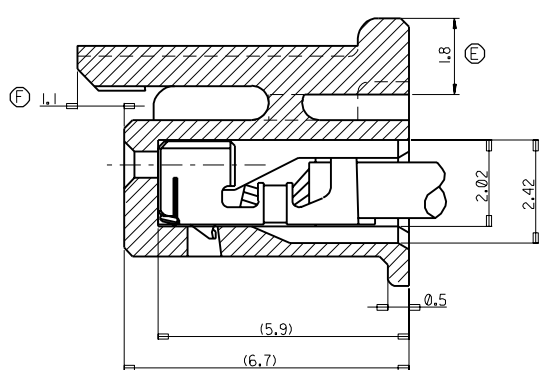
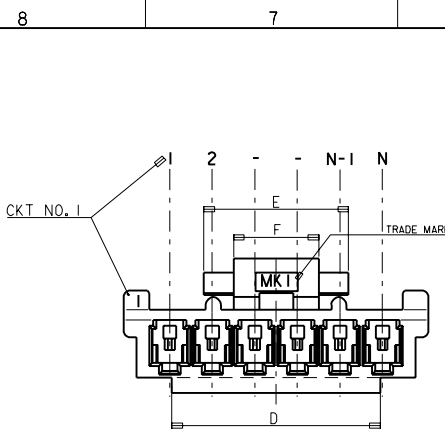
SIMILAR ITEM

PROJECT NO.

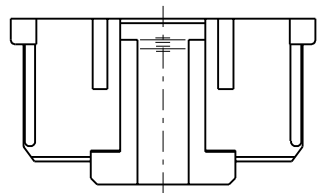
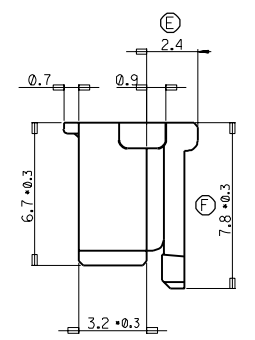
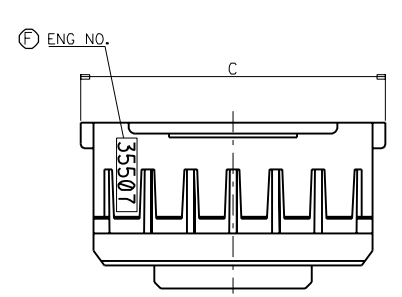
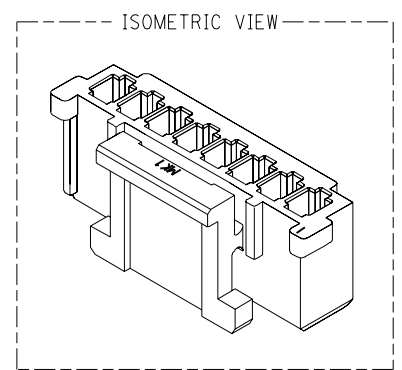
C

B

A



TERMINAL INSERTED DRAWING  
SCALE 2:1



NOTES

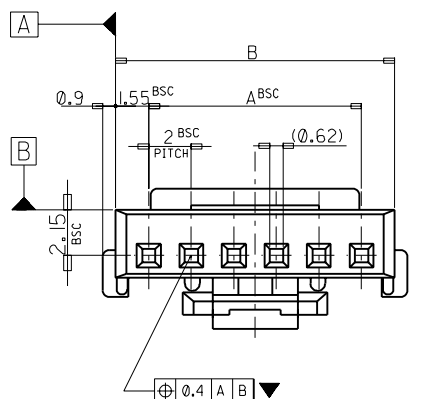
1. MATERIAL : POLYESTER, UL94V-0
2. FINISH : VARIABLE COLOR (SEE LEGEND)
3. PRODUCT SPECIFICATION NO : PS-35507-001
4. APPLICABLE TERMINAL : 50212-8000
5. MATES WITH : 35362-\*\*\*, 35363-\*\*\*

LEGEND

CT NO. \_\_\_\_\_ COLOR \_\_\_\_\_

- 0 : NATURAL
- 1 : BLACK
- 2 : RED
- 3 : YELLOW
- 4 : BLUE
- 5 : GREEN

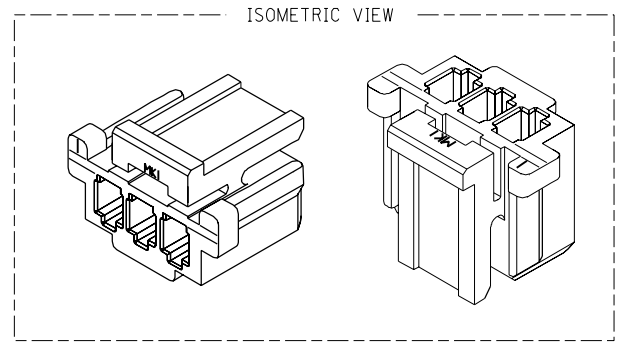
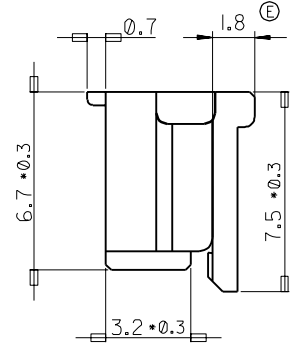
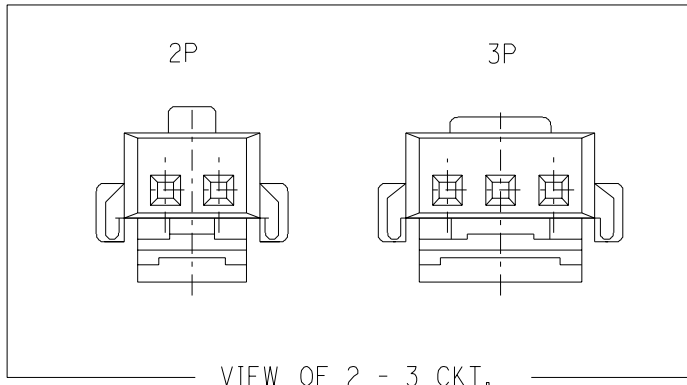
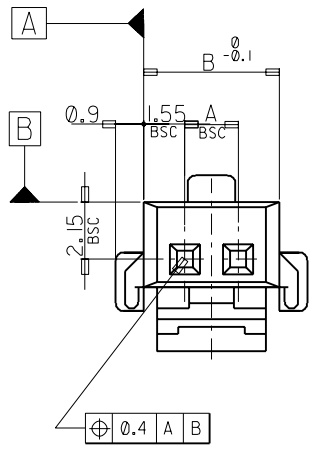
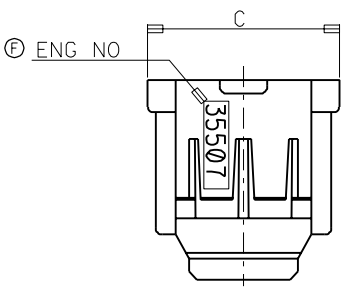
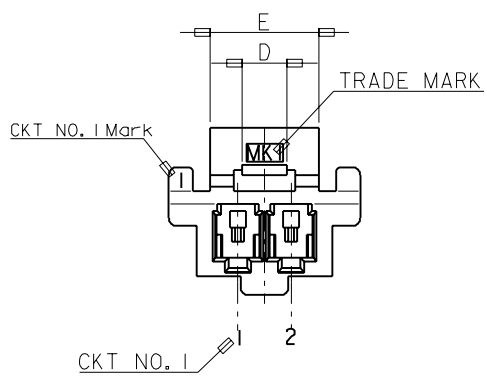
4	4	27.8	32.3	31.1	28	-150*	15
		25.8	30.3	29.1	26	-140*	14
		23.8	28.3	27.1	24	-130*	13
		21.8	26.3	25.1	22	-120*	12
		19.8	24.3	23.1	20	-110*	11
		17.8	22.3	21.1	18	-100*	10
7	7	15.8	20.3	19.1	16	-090*	9
8.0	10.8	13.8	18.3	17.1	14	-080*	8
4	4	11.8	16.3	15.1	12	-070*	7
		9.8	14.3	13.1	10	-060*	6
		7.8	12.3	11.1	8	-050*	5
410	618	5.8	10.3	9.1	6	35507-040*	4
F	E	D	C	B	A	ENG NO.	CKT



30 over	±0.3
10 over 30 under	±0.25
10 under	±0.2
ANGLE	±3°
GENERAL TOLERANCE	

REVISED EC NO. KOR 2002-0043 DRWNG Y500KIM(20011123) CHK: YSIKKim APPR: CWLEE	DESCRIPTION MAJOR CRITICAL C	QUALITY SYMBOLS	GENERAL TOLERANCES: (UNLESS SPECIFIED)	SCALE 1 : 1	DESIGN UNITS <input checked="" type="checkbox"/> mm <input type="checkbox"/> INCH	THIRD ANGLE PROJECTION <input type="checkbox"/> mm <input type="checkbox"/> INCH <input checked="" type="checkbox"/> mm ONLY	SHT REV
		MAJOR CRITICAL C	mm INCH	DRAWN BY & DATE Y.S.Kim 960911	CHECKED BY & DATE Y.Sik.Kim	APPROVED BY & DATE C.W.Lee	CAD FILENAME SD35507.S01
REV		DRAFT WHERE APPLICABLE MUST REMAIN WITHIN DIMENSIONS	THIS DRAWING CONTAINS INFORMATION THAT IS PROPRIETARY TO MOLEX INCORPORATED AND SHOULD NOT BE USED WITHOUT WRITTEN PERMISSION.		MATERIAL NO. DRAWING NO. SD-35507-001		SHEET NO. 1/3

DWG. NO. SD-35507-001  
 SIMILAR ITEM  
 PROJECT NO.  
 DO NOT SCALE DRAWING DIMENSION IN METRIC



FOR 2 & 3 CKTS.

LEGEND

CKT NO.	**0*	COLOR	0 : NATURAL
			1 : BLACK
			2 : RED
			3 : YELLOW
			4 : BLUE
			5 : GREEN

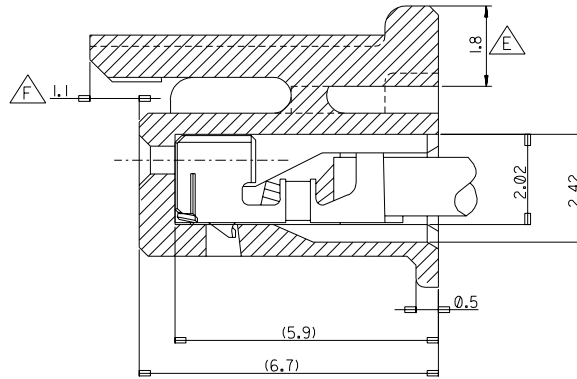
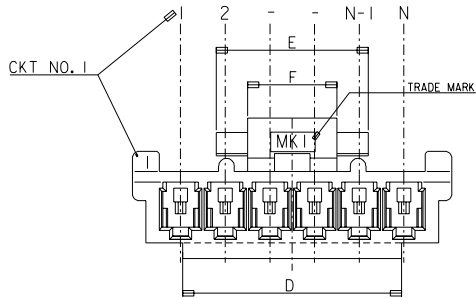
NOTES

1. MATERIAL : POLYESTER, UL94V-0
2. FINISH : VARIABLE COLOR (SEE LEGEND)
3. PRODUCT SPECIFICATION NO : PS-35507-001
4. APPLICABLE TERMINAL : 50212-8000
5. MATES WITH : 35362-\*\*, 35363-\*\*

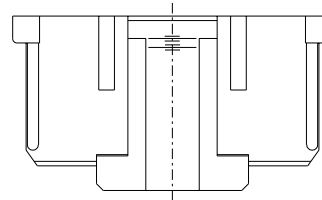
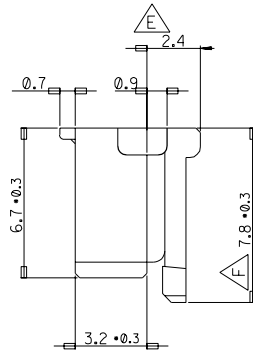
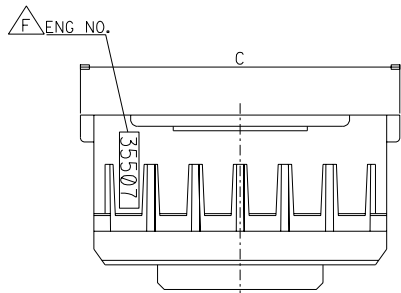
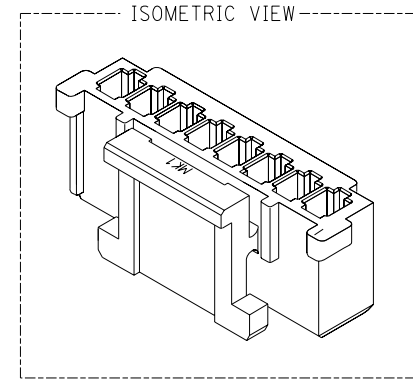
30 over	±0.3
10 over 30 under	±0.25
10 under	±0.2
ANGLE	±3°
GENERAL TOLERANCE	

REVISED	EC NO. KOR 2002-0043 DRWN: YSOOKIM (20011123) CHK: YSIKIM APPR: CWLEE	QUALITY SYMBOLS MAJOR = CRITICAL =	GENERAL TOLERANCES: (UNLESS SPECIFIED)		SCALE 1:1	DESIGN UNITS <input checked="" type="checkbox"/> mm <input type="checkbox"/> INCH	THIRD ANGLE PROJECTION	DIMENSIONS: <input type="checkbox"/> mm <input type="checkbox"/> INCH <input checked="" type="checkbox"/> mm ONLY		SHT	REV
			4 PLACES	±0.	±.	DRAWN BY & DATE Y.S.Kim 960911	TITLE: NEW 2.0 W/B CONN HOUSING (2 & 3 CKTS Only)				
			3 PLACES	±0.	±.	CHECKED BY & DATE Y.Sik.Kim	MOLEX INCORPORATED KOREA				
			2 PLACES	±0.	±.	APPROVED BY & DATE C.W.Lee	CAD FILENAME SD35507.S02	MATERIAL NO.	DRAWING NO. SD-35507-001	SHEET NO. 2/3	
			1 PLACE	±0.	±.	THIS DRAWING CONTAINS INFORMATION THAT IS PROPRIETARY TO MOLEX INCORPORATED AND SHOULD NOT BE USED WITHOUT WRITTEN PERMISSION.				SIZE B	
DRAFT WHERE APPLICABLE MUST REMAIN WITHIN DIMENSIONS											

2.5	9.2	7.1	4	-030*	3
1.7	7.2	5.1	2	35507-020*	2
D	C	B	A	ENG NO.	CKT



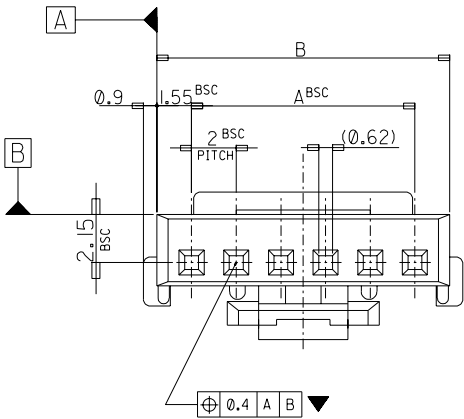
TERMINAL INSERTED DRAWING  
SCALE 8:1



NOTES

1. MATERIAL : POLYESTER, NON GLASS FILLED, UL94V-0
2. FINISH : VARIABLE COLOR (SEE LEGEND)
3. PRODUCT SPECIFICATION : PS-35507-001
4. APPLICABLE TERMINAL : 50212-8000
5. MATES WITH : 35362-\*\*\*, 35363-\*\*\*

LEGEND	
CKT. NO. ***0*	COLOR
	0 : NATURAL
	1 : BLACK
	2 : RED
	3 : YELLOW
	4 : BLUE
	5 : GREEN



8.0	10.8	37.8	42.3	41.1	38	35507200*	35507-200*	20
8.0	10.8	35.8	40.3	39.1	36	35507190*	35507-190*	19
8.0	10.8	33.8	38.3	37.1	34	35507180*	35507-180*	18
8.0	10.8	31.8	36.3	35.1	32	35507170*	35507-170*	17
8.0	10.8	29.8	34.3	33.1	30	35507160*	35507-160*	16
F	E	D	C	B	A	MATERIAL NO.	ENG. NO.	CKT

REVISED  
KOR2003-0109  
JUNGHKIM 02/10/31  
YUNSIKKIM  
CWLEE

~~4 : 1~~  
~~Y.S.Kim 960911~~  
~~Y.Sik.Kim~~  
~~C.W.Lee~~

4 : 1 ×  
Y.S.Kim 960911  
Y.Sik.Kim  
C.W.Lee

NEW 2.0 W/B CONN HOUSING