

Fig. 1

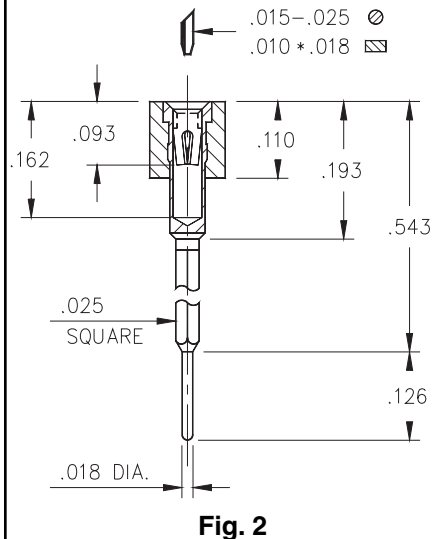


Fig. 2

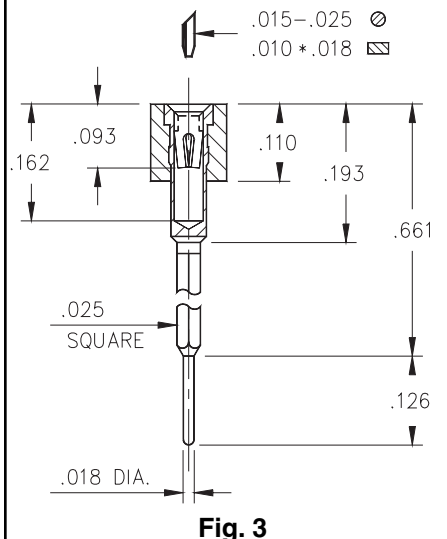


Fig. 3

- Wrapost / Solder tail combinations are available in 3 lengths using MM pin numbers:
 326...001 uses pin # 2601
 326...002 uses pin # 2602
 326...003 uses pin # 2603
 See page 163 for details.
- Hi-Rel, 4-finger BeCu #30 contact is rated at 3 amps. See page 208 for details.
- Insulators are high temp. thermoplastic.



Ordering Information

Fig. 1	Series 326...001	
	326-XX-1__-41-001000	
	Specify # of pins	└─> 01-64
Fig. 2	Series 326...002	
	326-XX-1__-41-002000	
	Specify # of pins	└─> 01-64
Fig. 3	Series 326...003	
	326-XX-1__-41-003000	
	Specify # of pins	└─> 01-64



XX=Plating Code
See Below

For RoHS compliance select ◊ plating code.

SPECIFY PLATING CODE XX=		93		43 ◊
Sleeve (Pin)		200µ" Sn/Pb		200µ" Sn
Contact (Clip)		30µ" Au		30µ" Au