

Fig. 1

- Male shorting jumpers are available with or without insulator and have .022" diameter pins with .100", .200" or .300" center spacing.
- Insulator materials are not high temperature.

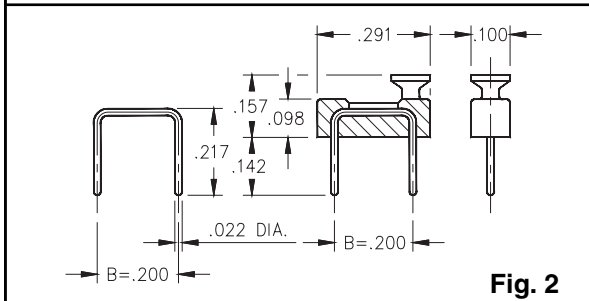
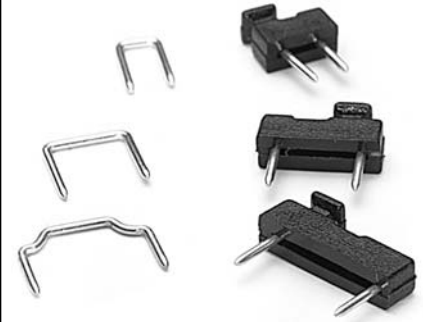


Fig. 2

Fig. 1

Male Shorting Jumper .100" Spacing

Color / Style	Plating 10μ" Au ◇
Black	999-11-210-10-000000
Not Insulated	999-11-110-10-000000

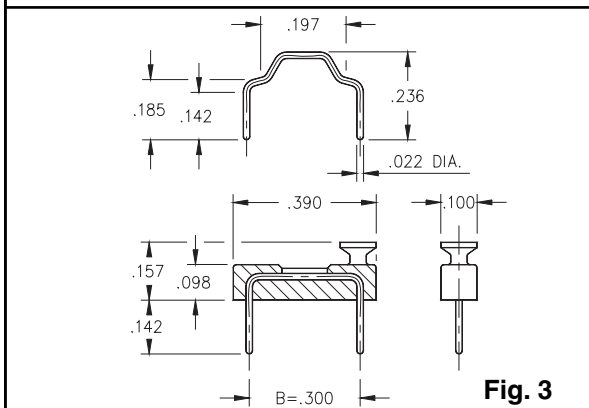


Fig. 3

Fig. 2

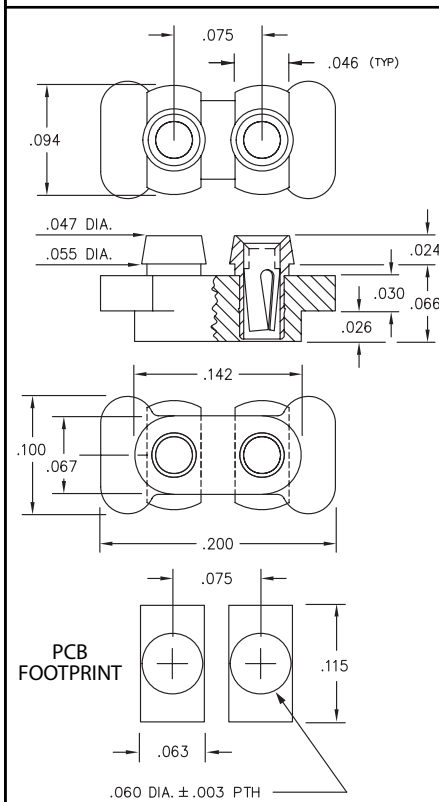
Male Shorting Jumper .200" Spacing

Color / Style	Plating 10μ" Au ◇
Black	999-11-220-10-000000
Not Insulated	999-11-112-10-000000

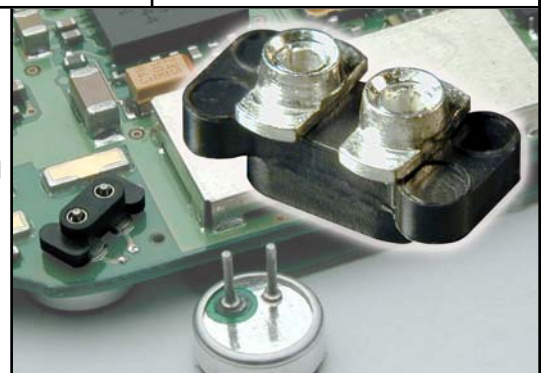
Fig. 3

Male Shorting Jumper .300" Spacing

Color / Style	Plating 10μ" Au ◇
Black	999-11-230-10-000000
Not Insulated	999-11-113-10-000000



- Series 388 microphone socket is a bottom entry socket for microphones having Ø.018" pins on .075" centers.
- Designed to be surface mount and intrusive reflow soldered.
- Insulator is high temp. Nylon 46, rated UL 94 V-0.
- Series 388 use MM #8874 pins. See page 128 for details.



Microphone Socket

Ordering Information

388-XX-102-11-740800 (Discrete sockets)

Plating Code

388-XX-102-11-740799

(Supplied on 12mm wide carrier tape per EIA-481: 6,500 per 13" reel)

SPECIFY PLATING CODE XX=			99		44 ◇
Sleeve (Pin)			200μ" Sn/Pb		200μ" Sn
Contact (Clip)			200μ" Sn/Pb		200μ" Sn