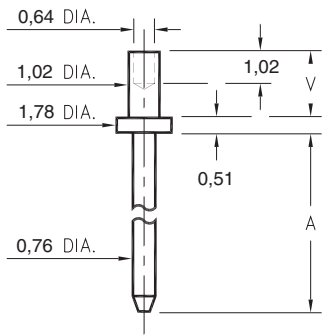


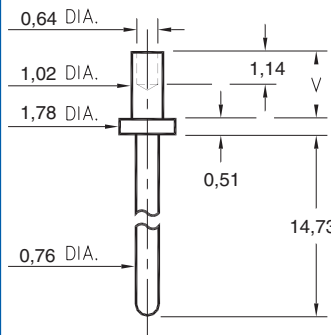
3110/3111



Basic Part Number	Board Thickness	Length A	Length V
3110-1	0,79	3,81	1,30
3110-2	1,57	3,81	2,08
3110-3	2,39	3,81	2,87
3111-1	0,79	7,62	1,30
3111-2	1,57	7,62	2,08
3111-3	2,39	7,62	2,87

311X-X-00-XX-00-00-08-0
Swage mount in 1,09 hole

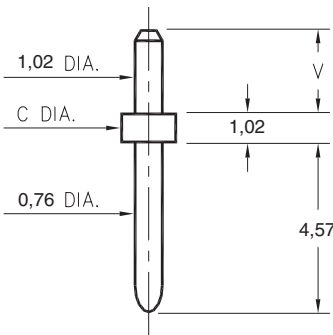
3150



Basic Part Number	Board Thickness	Length V
3150-1	0,79	1,30
3150-2	1,57	2,08

3150-X-00-XX-00-00-08-0
Swage mount in 1,09 mounting hole

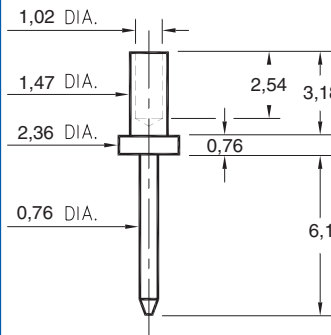
3136/3137



Basic Part Number	Flange Dia. C	Board Thickness	Length V
3136-1		1,57	2,08
3136-2	1,98	2,39	2,79
3136-3		3,18	3,68
3137-1		1,57	2,08
3137-2		2,39	2,79
3137-3	1,57	3,18	3,68
3137-4		3,96	4,70

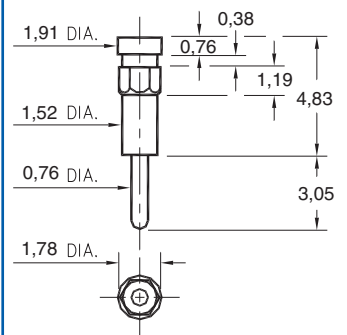
313X-X-00-XX-00-00-08-0
Solder mount in 1,09 mounting hole

3148



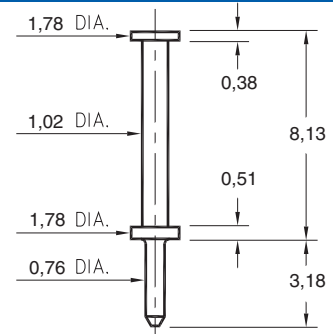
3148-3-00-XX-00-00-08-0
Swage mount in 1,57 hole for 2,39 thick board

8815



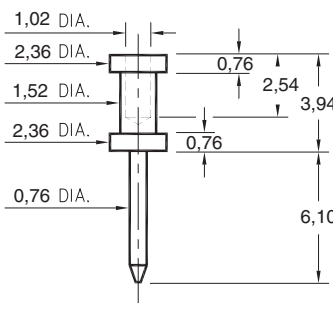
8815-0-00-XX-00-00-03-0
Hex press-fit in 1,68 plated thru hole

6821



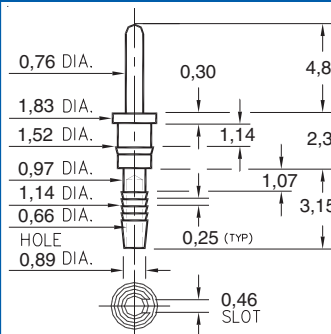
6821-0-00-XX-00-00-08-0
Wire Termination

3132



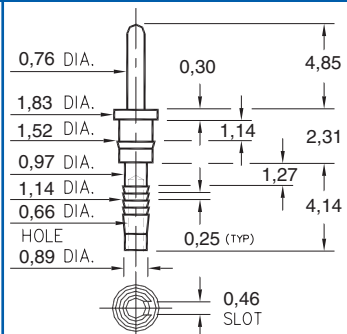
3132-0-00-XX-00-00-08-0
Wire Termination
Material is annealed

5601



5601-0-01-XX-00-00-03-0
Compliant press-fit in 1,02±0,08 plated hole. For 1,52→2,54 thick board.

5602



5602-0-01-XX-00-00-03-0
Compliant press-fit in 1,02±0,08 plated hole. For 2,29→3,30 thick board.

SPECIFICATIONS

PIN MATERIAL:
Brass Alloy 360, 1/2 Hard
(Except Swage pins which are annealed)

PART MANUFACTURED IN INCHES, METRIC FOR REF ONLY

TOLERANCES ON:
LENGTHS: ± 0,13
DIAMETERS: ± 0,05
ANGLES: ± 2°

ORDER CODE: XXXX - X - 0X - XX - 00 - 00 - 0X - 0

BASIC PART #

SPECIFY PIN FINISH:

- 01 5,08µm TIN/LEAD OVER NICKEL
- 80 5,08µm TIN OVER NICKEL
- 15 0,25µm GOLD OVER NICKEL
- 21 0,51µm GOLD OVER NICKEL
- 34 1,27µm GOLD OVER NICKEL

