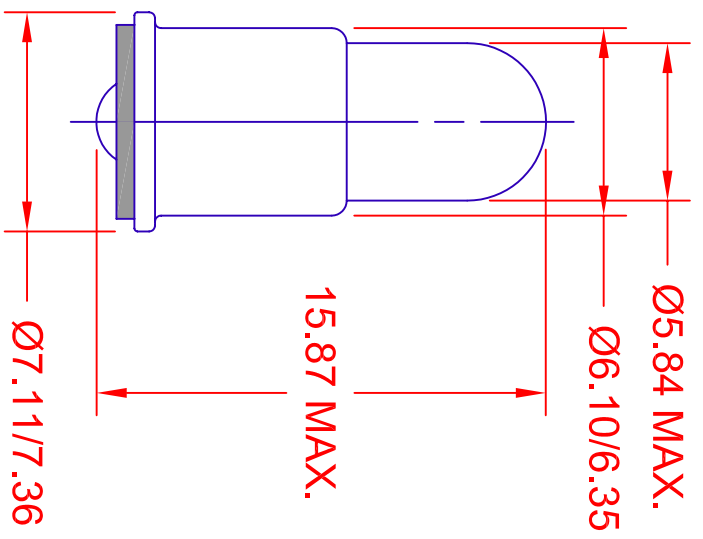


| REV. | DESCRIPTION/ECO NO. | DATE |
|------|--------------------------|---------|
| | RELEASED | 5/17/00 |
| A | DELETE #S 331, 375, FF48 | 8/3/05 |
| | | |
| | | |
| | | |

| JKL LAMP NUMBER | VOLTS RATED | AMPS ±10% | MSCP ±25% | LUMENS ±25% | AVERAGE LIFE HRS. | FILAMENT TYPE |
|-----------------|-------------|-----------|-----------|-------------|-------------------|---------------|
| 368 | 2.5 | .200 | .200 | 2.51 | 500 | C-2R |
| 268 | 2.5 | .350 | .200 | 2.51 | 20,000 | C-2R |
| 252 | 2.5 | .350 | LENS END | | 20,000 | C-2R |
| 338 | 2.7 | .060 | .040 | 0.50 | 6,000 | C-2R |
| FF23 | 5.0 | .020 | .020 | 0.25 | 50,000 | C-2R |
| FF90 | 5.0 | .021 | .034 | 0.43 | 10,000 | C-2R |
| 7332 | 5.0 | .060 | .030 | 0.38 | 100,000 | C-2R |
| 7333 | 5.0 | .060 | .050 | 0.63 | 100,000 | C-2R |
| 3150 | 5.0 | .060 | .150 | 1.89 | 5,000 | C-2R |
| 7335 | 5.0 | .115 | .150 | 1.89 | 40,000 | C-2R |
| 345 | 6.0 | .040 | .030 | 0.38 | 10,000 | C-2V |
| 328 | 6.0 | .200 | .630 | 7.92 | 1,000 | C-2R |
| 380 | 6.3 | .040 | .030 | 0.38 | 20,000 | C-2F |
| 377 | 6.3 | .075 | .230 | 2.89 | 1,000 | C-2R |
| 350 | 6.3 | .150 | .450 | 5.66 | 3,000 | C-2R |
| 381 | 6.3 | .200 | .400 | 5.03 | 50,000 | C-2F |
| 349 | 6.3 | .200 | .550 | 6.91 | 5,000 | C-2R |
| 344 | 10.0 | .014 | .002 | 0.03 | 50,000 | C-2F |
| 367 | 10.0 | .040 | .080 | 1.01 | 30,000 | C-2F |
| 394 | 12.0 | .040 | .120 | 1.51 | 10,000 | C-2F |
| 382 | 14.0 | .080 | .300 | 3.77 | 50,000 | C-2F |
| 330 | 14.0 | .080 | .500 | 6.29 | 2,500 | C-2F |
| 8918 | 14.0 | .100 | .500 | 6.29 | 50,000 | C-2F |
| 370 | 18.0 | .040 | .150 | 1.89 | 10,000 | C-2F |
| 459 | 22.0 | .040 | .300 | 3.77 | 2,000 | C-2F |
| 8176 | 24.0 | .050 | .500 | 6.29 | 2,000 | C-2F |
| FF28 | 28.0 | .024 | .150 | 1.89 | 16,000 | C-2F |
| 385 | 28.0 | .040 | .200 | 2.51 | 50,000 | C-2F |
| 387 | 28.0 | .040 | .300 | 3.77 | 25,000 | C-2F |
| 327 | 28.0 | .040 | .340 | 4.27 | 4,000 | C-2F |
| 376 | 28.0 | .060 | .340 | 4.27 | 25,000 | C-2F |
| 7341 | 28.0 | .065 | .650 | 8.17 | 5,000 | C-2F |
| 269 | 32.0 | .040 | .340 | 4.27 | 20,000 | C-2F |



| | | | | | |
|---|----------------|---|----------------|--|--------------------------|
| METRIC THIRD ANGLE PROJECTION | | DIMENSIONS ARE IN MILLIMETERS TOLERANCE UNLESS OTHERWISE SPECIFIED 1 PL +/- 0.2 2 PL +/- 0.20 ANGLE +/- 0 | | JKL COMPONENTS CORPORATION TITLE T-1 3/4 STANDARD MIDGET FLANGE | |
| DRAWN BY L. WENGSTROM | DATE 8/3/05 | APP'D BY J.K. | DATE 8/3/05 | SIZE A | FSCM NO. 55335 |
| - CAD DRAWING - | | MANUAL REVISIONS NOT PERMITTED | | SCALE NONE | RELEASED DATE 5/17/00 |
| | | | | REVISION DATE 8/3/05 | REV. NO. A |
| | | | | | SHEET 1 OF 1 |