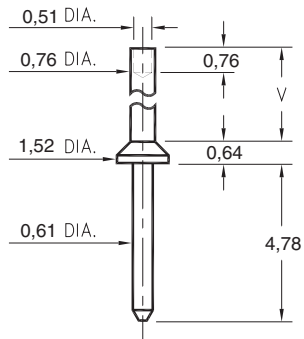


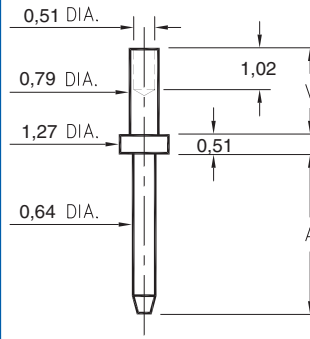
### 3117



Basic Part Number	Board Thickness	Length V
3117-1	0,79	1,19
3117-2	1,57	1,98
3117-3	2,39	2,79
3117-4	3,18	3,58

**3117-X-00-XX-00-00-08-0**  
Swage mount in 0,89 hole

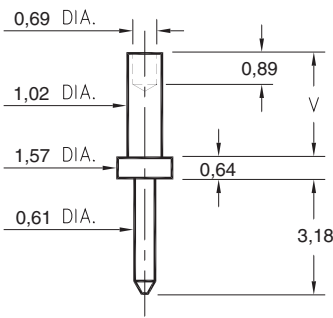
### 3114/3115



Basic Part Number	Board Thickness	Length A	Length V
3114-1	0,79	3,81	1,30
3114-2	1,57	3,81	2,08
3115-1	0,79	7,62	1,30
3115-2	1,57	7,62	2,08

**311X-X-00-XX-00-00-08-0**  
Swage mount in 0,89 mounting hole

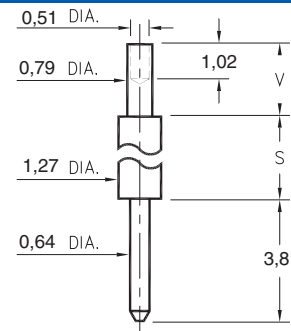
### 3112



Basic Part Number	Board Thickness	Length V
3112-1	0,79	1,30
3112-2	1,57	2,08
3112-3	2,39	2,87

**3112-X-00-XX-00-00-08-0**  
Swage mount in 1,09 hole

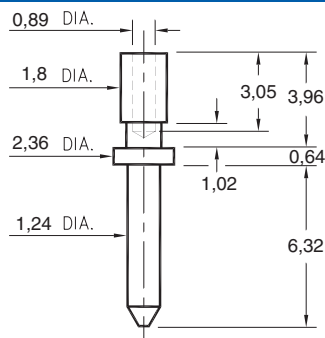
### 3118/3119



Basic Part Number	Board Thickness	Length S	Length V
3118-1	0,79	4,32	1,30
3118-2	1,57	4,32	2,08
3119-1	0,79	10,67	1,30
3119-2	1,57	10,67	2,08

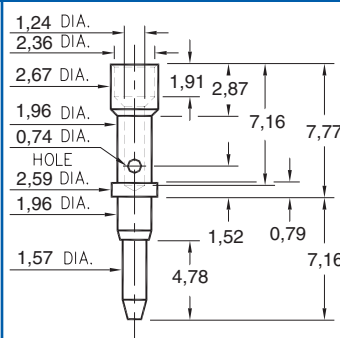
**311X-X-00-XX-00-00-08-0**  
Swage mount in 0,89 hole

### 3139



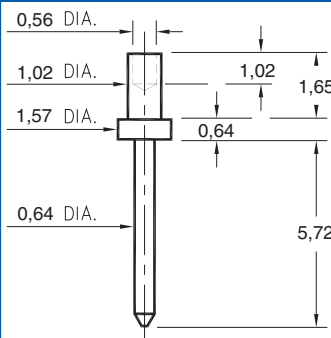
**3139-0-00-XX-00-00-08-0**  
Wire Termination

### 3602



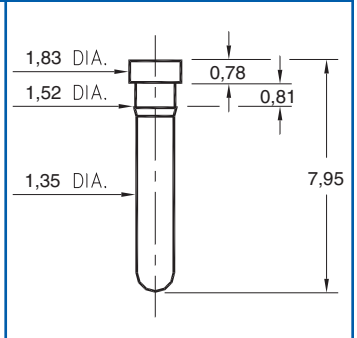
**3602-0-07-XX-00-00-08-0**  
Annealed  
#20 Crimp barrel

### 3131



**3131-1-00-XX-00-00-08-0**  
Swage mount in 1,09 hole

### 0912



**0912-0-00-XX-00-00-03-0**  
Press-fit in 1,45 mounting hole

#### SPECIFICATIONS

**PIN MATERIAL:**  
Brass Alloy 360, 1/2 Hard  
( Except Swage pins which  
are annealed )

**PART MANUFACTURED IN  
INCHES, METRIC FOR REF ONLY**

**TOLERANCES ON:**  
LENGTHS: ± 0,13  
DIAMETERS: ± 0,05  
ANGLES: ± 2°

**ORDER CODE: XXXX - X - 0X - XX - 00 - 00 - 0X - 0**

**BASIC PART #**

**SPECIFY PIN FINISH:**

- 01 5,08µm TIN/LEAD OVER NICKEL
- 80 5,08µm TIN OVER NICKEL
- 15 0,25µm GOLD OVER NICKEL
- 21 0,51µm GOLD OVER NICKEL
- 34 1,27µm GOLD OVER NICKEL

