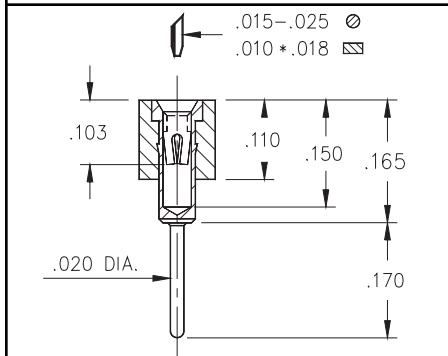


**Fig. 1**

- SIP sockets accept .015 - .025" diameter pins and standard IC leads.
- Various solder tails available: standard length, long for multi-layer boards, very low and ultra low profile. See Mill-Max #1001, 0134, 0501 or 1534 pins (See pages 130, 131, 134) for details.
- Hi-Rel, 4-finger BeCu #12 & #30 contacts are rated at 3 amps. See pages 207 & 208 for details.
- Insulators are high temp. thermoplastic.



**Ordering Information**



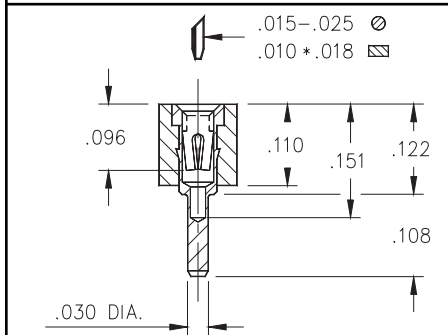
**Fig. 2**

**Fig. 1**

**Series 310...001 Standard Solder Tail**

310-XX-1\_\_-41-001000

Specify # of pins → 01-64



**Fig. 3**

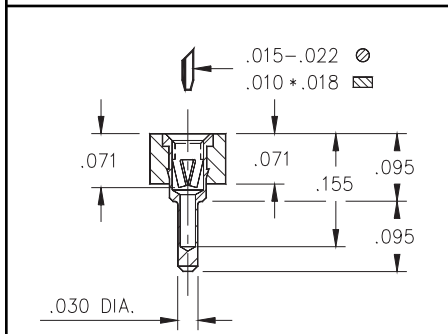
**Fig. 2**

**Series 311...001 Long Solder Tail**

★ 41 & 91 Platings Non-Standard

311-XX-1\_\_-41-001000

Specify # of pins → 01-64



**Fig. 4**

**Fig. 3**

**Series 315...001 Very Low Profile**

★ 41 & 91 Platings Non-Standard

315-XX-1\_\_-41-001000

Specify # of pins → 01-64

**Series 315...003 Ultra Low Profile**

★ 41 & 91 Platings Non-Standard

315-XX-1\_\_-41-003000

Specify # of pins → 01-64



**XX=Plating Code See Below**

**For RoHS compliance select ◇ plating code.**

SPECIFY PLATING CODE XX=	13◇	91	93	99	41◇	43◇	44◇
Sleeve (Pin)	10μ" Au	200μ" Sn/Pb	200μ" Sn/Pb	200μ" Sn/Pb	200μ" Sn	200μ" Sn	200μ" Sn
Contact (Clip)	30μ" Au	10μ" Au	30μ" Au	200μ" Sn/Pb	10μ" Au	30μ" Au	200μ" Sn