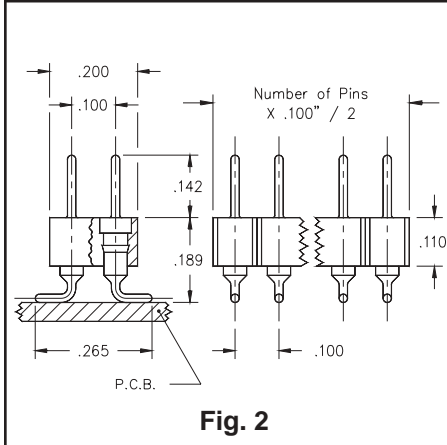
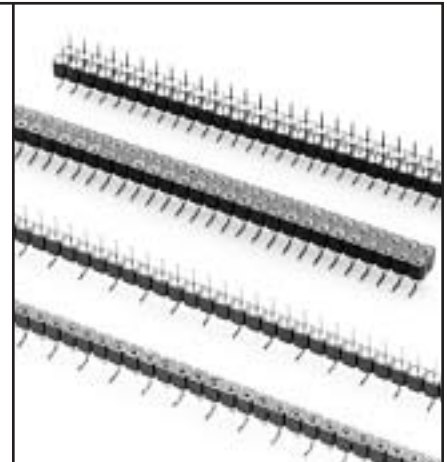
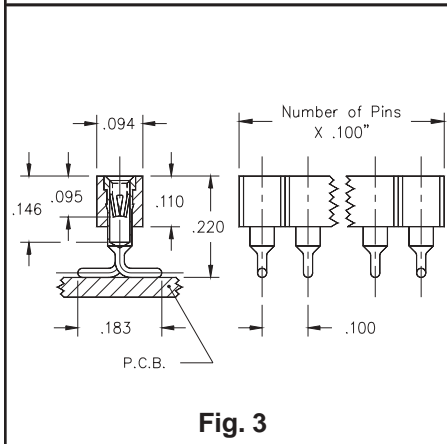


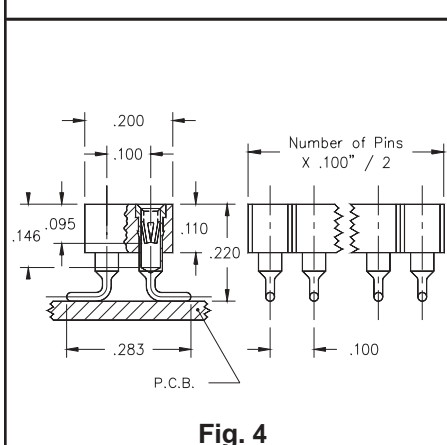
- Series 310 and 350 interconnects are available in single and double row form.
- Headers (MM# 3404 see page 170 for details)
350 & 450 have .018" dia. pins.
- Sockets (MM# 1005 see page 135 for details)
310 & 410 accept pin dia. of .015" - .025".
- Insulators are high temp. thermo-plastic.



Ordering Information	
Fig. 1	Single Row .189" Surface Mount Header
	350-XX-1__-00-106 Specify # of pins → 01-64
Fig. 2	Double Row .189" Surface Mount Header
	450-XX-2__-00-106 Specify # of pins → 02-72



SPECIFY PLATING CODE XX=	10	90		
Pin Plating	10μ" Au	200μ" Sn/Pb		
Fig. 3	Single Row .220" Surface Mount Socket			
	310-XX-1__-41-105 Specify # of pins → 01-64			
Fig. 4	Double Row .220" Surface Mount Socket			
	410-XX-2__-41-105 Specify # of pins → 02-72			



SPECIFY PLATING CODE XX=			93	99
Sleeve (Pin)			200μ" Sn/Pb	200μ" Sn/Pb
Contact (Clip)			30μ" Au	200μ" Sn/Pb

