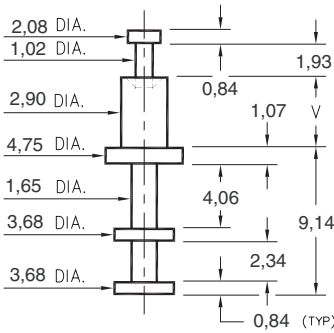


2810

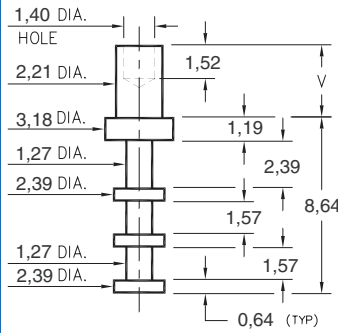


- X -	Board Thickness	Length V
2	1,57	2,67
3	2,39	3,43
4	3,18	4,19

2810-X-00-XX-00-00-07-0

Swage mount in 3,00 hole

2524

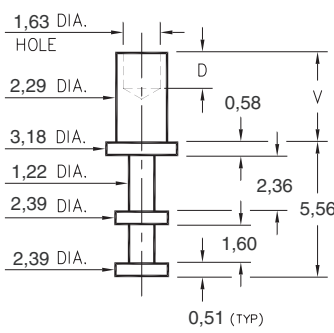


- X -	Board Thickness	Length V
1	0,79	1,91
2	1,57	2,67
3	2,39	3,43
4	3,18	4,19

2524-X-00-XX-00-00-07-0

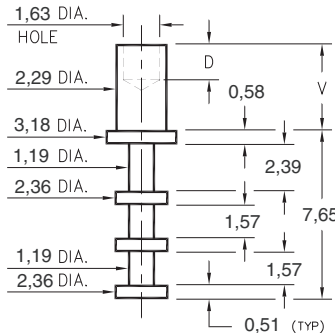
Swage mount in 2,34 hole

2561/2508



2561-X-00-XX-00-00-07-0

Swage mount in 2,39 hole

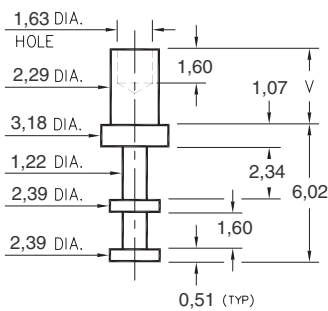


2508-X-00-XX-00-00-07-0

Swage mount in 2,39 hole

- X -	Board Thickness	Length V	Depth D
1	0,79	1,60	1,19
2	1,57	2,39	1,57
3	2,39	3,18	
4	3,18	3,96	

2551

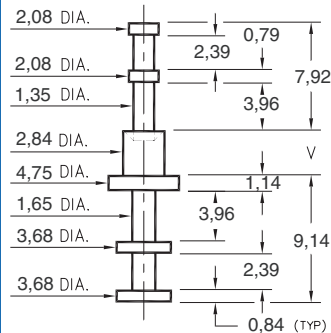


2551-X-00-XX-00-00-07-0

Swage mount in 2,39 hole

- X -	Board Thickness	Length V
1	0,79	1,91
2	1,57	2,67
3	2,39	3,43
4	3,18	4,19

2812



2812-X-00-XX-00-00-07-0

Swage mount in 2,95 hole

- X -	Board Thickness	Length V
1	1,57	2,67
2	2,39	3,43
3	3,18	4,19
4	4,78	5,84

SPECIFICATIONS

PIN MATERIAL:
Brass Alloy 360, 1/2 Hard
(Except Swage pins which
are annealed)

**PART MANUFACTURED IN
INCHES, METRIC FOR REF ONLY**

TOLERANCES ON:
LENGTHS: ± 0,13
DIAMETERS: ± 0,05
ANGLES: ± 2°

ORDER CODE: **2XXX - X - 00 - XX - 00 - 00 - 07 - 0**

BASIC PART #

SPECIFY PIN FINISH:

- 01** 5,08 μm TIN/LEAD OVER NICKEL
- 80** 5,08 μm TIN OVER NICKEL ◇
- 44** 7,62 μm SILVER OVER COPPER ◇
- 50** 7,62 μm ELECTRO-SOLDER
(60/40 SnPb)

