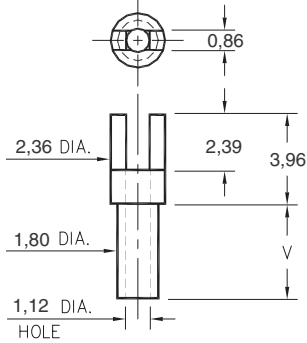


2314

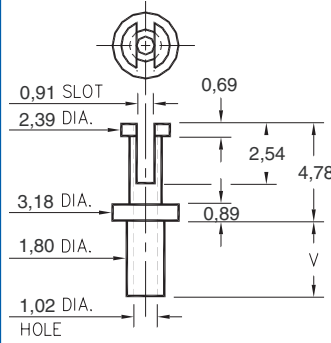


- X -	Board Thickness	Length V
1	0,79	1,14
2	1,57	2,39
3	2,39	3,18
4	3,18	3,96

2314-X-01-XX-00-00-07-0

Swage mount in 1,93 hole

2511

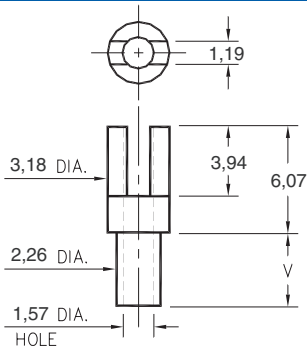


- X -	Board Thickness	Length V
1	0,79	1,60
2	1,57	2,39
3	2,39	3,18
4	3,18	3,96

2511-X-01-XX-00-00-07-0

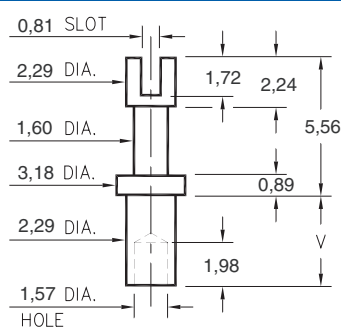
Swage mount in 1,93 hole

2515/2516



2515-X-01-XX-00-00-07-0

Swage mount in 2,39 hole

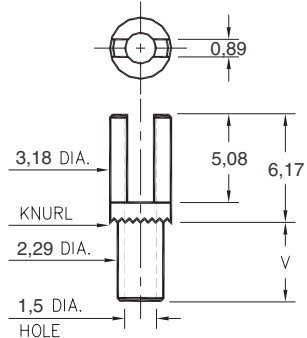


2516-X-01-XX-00-00-07-0

Swage mount in 2,39 hole

- X -	Board Thickness	Length V
1	0,79	1,91
2	1,57	2,67
3	2,39	3,43
4	3,18	3,73

2502



2502-X-01-XX-00-00-07-0

Swage mount in 2,39 hole

- X -	Board Thickness	Length V
1	0,79	2,03
2	1,57	2,82
3	2,39	3,63
4	3,18	4,42

SPECIFICATIONS

PIN MATERIAL:
Brass Alloy 360, 1/2 Hard
(Except Swage pins which are annealed)

PART MANUFACTURED IN INCHES, METRIC FOR REF ONLY

TOLERANCES ON:
LENGTHS: $\pm 0,13$
DIAMETERS: $\pm 0,05$
ANGLES: $\pm 2^\circ$

ORDER CODE: 2XXX - X - 01 - XX - 00 - 00 - 07 - 0

BASIC PART #

SPECIFY PIN FINISH:

- 01** 5,08 μm TIN/LEAD OVER NICKEL
- 80** 5,08 μm TIN OVER NICKEL \diamond
- 44** 7,62 μm SILVER OVER COPPER \diamond
- 50** 7,62 μm ELECTRO-SOLDER (60/40 SnPb)

