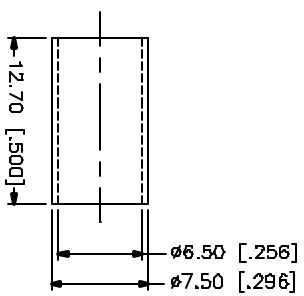
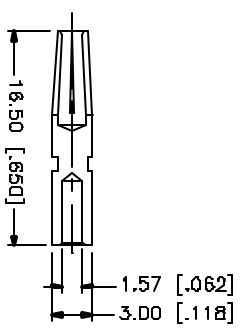
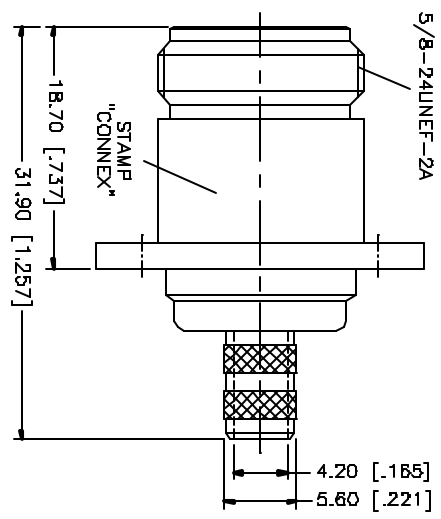
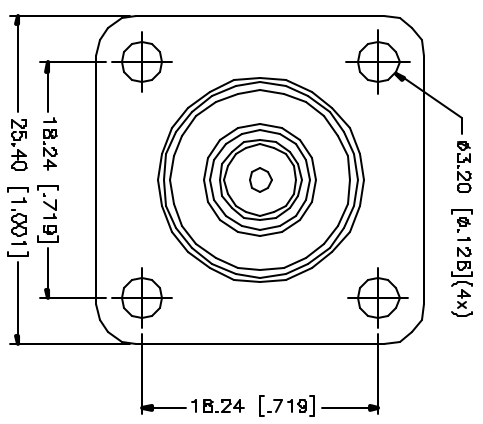
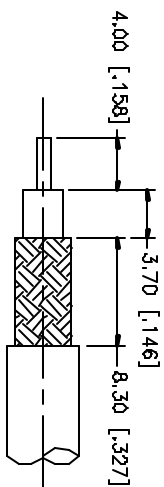


REV.	DATE	DESCRIPTION
A	11/22/04	INITIAL RELEASE



- NOTE:
1. CRIMPED FERRULE
HEX CRIMP SIZE .255"
 2. CRIMPED CONTACT PIN
HEX CRIMP SIZE .100"

NO.	DESCRIPTION	MATERIAL	FINISH	QTY
8				
7				
6				
5				
4	FERRULE	COPPER	NEXXOTE	1
3	CONTACT PIN	PHOS. BRONZE	GOLD	1
2	INSULATOR	TEFLON	NATURAL	1
1	BODY	BRASS	NEXXOTE	1
	DESCRIPTION	MATERIAL	FINISH	QTY

UNLESS OTHERWISE SPECIFIED DIMENSIONS ARE IN INCHES AND FOR OTHERWISE REFER TO THE TOLERANCES FOR DIMENSIONS ARE:	APPROVALS	DATE
UNLESS OTHERWISE SPECIFIED TOLERANCES FOR DIMENSIONS ARE:	DRAWN G.R.S.	11/22/04
0.0 - 0.001mm ± 0.020mm	CHECKED	
0.001 - 0.002mm ± 0.040mm	ISSUED	
0.002 - 0.005mm ± 0.050mm	SHEET 1 OF 1	
0.005 - 0.007mm ± 0.0007"	CAD FILE	
0.007 - 0.015mm ± 0.0015"	C:/172/172319.DWG	
0.015 - 0.030mm ± 0.0020"		
0.030 - 0.060mm ± 0.0020"		
0.060 - 0.120mm ± 0.0020"		
0.120 - 0.250mm ± 0.0020"		
0.250 - 0.500mm ± 0.0020"		
0.500 - 1.000mm ± 0.0020"		
1.000 - 4.724mm ± 0.0020"		
DO NOT SCALE DRAWING		

PART DESCRIPTION	DWG. NO.	REV.	SIZE	SCALE
N PANEL CRIMP JACK (FOR BX, LMR240 CABLE)	172319.DWG	A	A	NA
PART NO.				
172319				

Amphenol Connex