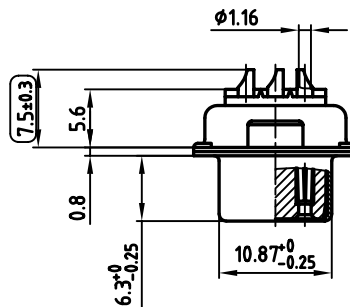
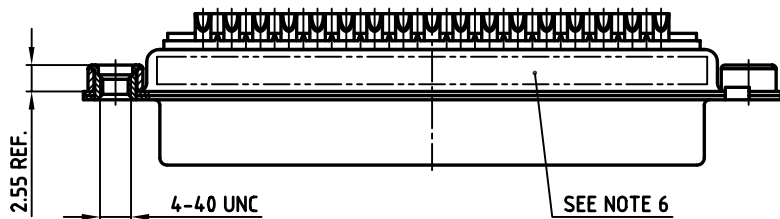
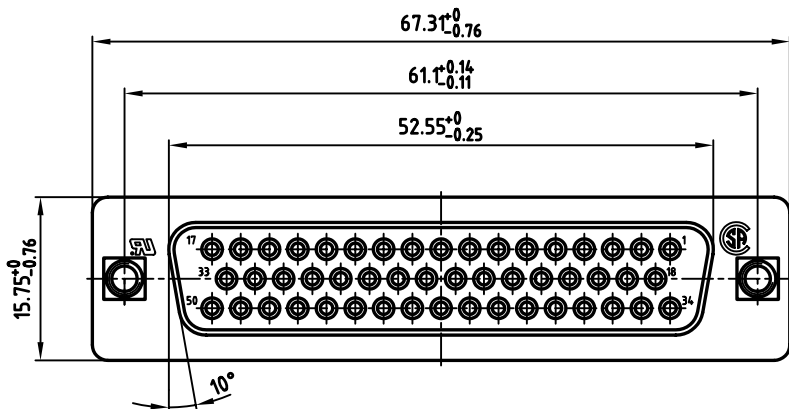


used for: D-SUB



**NOTES:**

1. METALSHELLS: STEEL; min. 320µ" TIN
2. INSULATORS: PBT GF UL 94 V-0, BLACK
3. CONTACTS: COPPER ALLOY  
PLATING: 8µ" HARD GOLD OVER min. 50µ" NICKEL  
SOLDER CUP ACCEPTS CABLE AWG 20
4. THREADED INSERT: COPPER ALLOY; min. 200µ" TIN over 80µ" NICKEL
5. MAXIMUM TORQUE VALUE FOR THREAD: 6" LBS
6. CONNECTOR IS PART MARKED: 164A10259X CONEC ABC
7.    = CHECK DIMENSION

Directive 2002/95/EC  
 „RoHS“  
 Compliant

APPROVAL # FREIGABE # DEBLOCAGE # AUTORIZACION # APPROVAL	
CUSTOMER APPROVAL DATE:	
NAME:	TITLE:
COMPANY NAME:	
APPROVAL # FREIGABE # DEBLOCAGE # AUTORIZACION # APPROVAL	

THIS DRAWING MAY NOT BE COPIED OR REPRODUCED IN ANY WAY, AND MAY NOT BE PASSED ON TO A THIRD PARTY, WITHOUT WRITTEN PERMISSION.  
 OWNERSHIP AND COPYRIGHT OF CONEC GmbH  
**DO NOT ALTER CAD DRAWING BY HAND**

rev.	description	date	name
a	Origin		

tolerance		dim. in mm
2006	date	
drawn	08.02.	Lehmenkühler
appd.	08.02.	Mickenbecker
norm		DIN 41652
d-old		
<b>CONEC</b> ®		

scale:	2:1	
material:	SEE NOTES	
title:	<b>D-SUB FEMALE</b> 50pos. SOLDER CUP with threaded insert	
dwg no:	AutoCAD 2004	DIN-A
	16K1A1741	3
		sh: 1/1
part no:	164A10259X	