



# Series 675 DIP Program Headers

## FEATURES

- Aries DIP programmable headers offer unusual versatility for programming within the header itself
- They can be individually programmed using cutters or Aries programming tool, P/N **T-675**, available separately, to remove the interconnecting sections. Consult Data Sheet 22002 for Aries' programming tool
- Adjacent and/or opposing pins are interconnected until the pre-slotted section is programmed out. An almost infinite number of programs can be attained by merely leaving or removing interconnecting sections
- A low profile, snap-on cover protects header from dirt or accidental damage, and can be marked to identify the program within the header

## SPECIFICATIONS

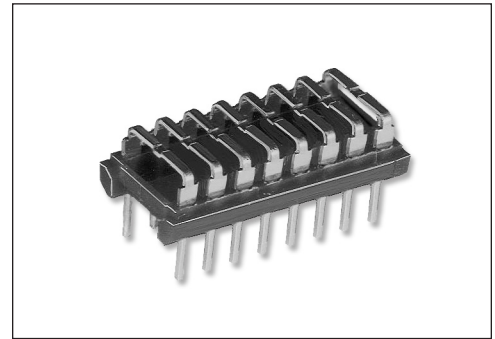
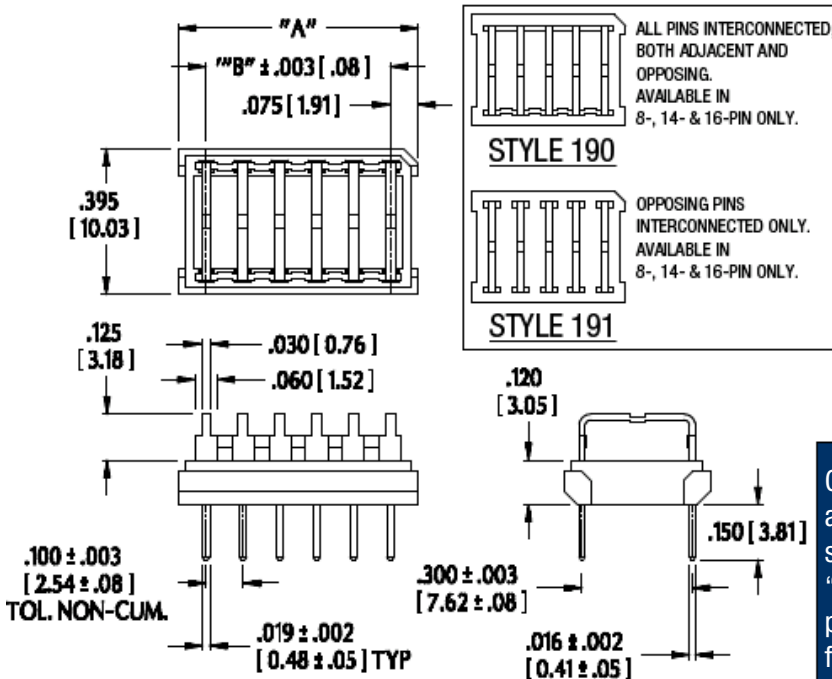
- Standard Header Body and Cover: black UL 94 V-0 4/6 Nylon
- Pins: Brass Alloy, 3/4-hard
- Pin Plating: "-T" 200µ [5.08µ] min. matte Tin per ASTM B545-97(2004e1 over 50µ [1.27µ] min. Nickel per QQ-N-290; "-G" 10µ [0.25µ] Gold per MIL-G-45204 over 50µ [1.27µ] min. Nickel per QQ-N-290; "-TL" 200µ [5.08µ] 90/10 Tin/Lead per MIL-T-10727 Type I over 50µ [1.27µ] min. Nickel per QQ-N-290
- Current Rating: 2 amps
- Operating Temperature: 221°F [105°C] Tin or Tin/Lead plating; 257°F [125°C] Gold plating

## MOUNTING CONSIDERATIONS

- Suggested PCB hole size = 0.035 ± 0.002 [0.89 ± 0.05] diameter

"A" = (NO. OF PINS PER ROW X 0.100 [2.54]) + 0.050

"B" = (NO. OF PINS PER ROW - 1) X 0.100 [2.54]



NOTE: Aries specializes in custom design and production. In addition to the standard products shown on this page, special materials, platings, sizes, and configurations can be furnished, depending on quantities. Aries reserves the right to change product specifications without notice.

## ALL DIMENSIONS: INCHES [MILLIMETERS]

### ORDERING INFORMATION

**XX-675-19XX**

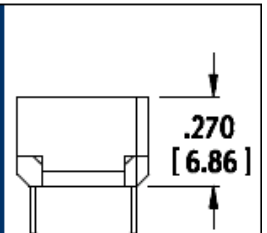
Pins 8, 14 & 16 ONLY\*  
 Series  
 Plating Suffix:  
 None = Gold  
 T = Tin  
 TL = Tin/Lead

Style 190 or 191 (<see left)

\* Consult factory for other sizes.

All tolerances ±0.005 [0.13] unless otherwise specified.

Covers available for 8-, 14- and 16-pin headers. To order, specify P/N **XX-650-10** where "XX" denotes the number of pins. Consult Data Sheet **12033** for additional information.



Bristol, PA 19007-6810 USA  
 TEL (215) 781-9956 • FAX (215) 781-9845  
 WWW.ARIESELEC.COM • INFO@ARIESELEC.COM

