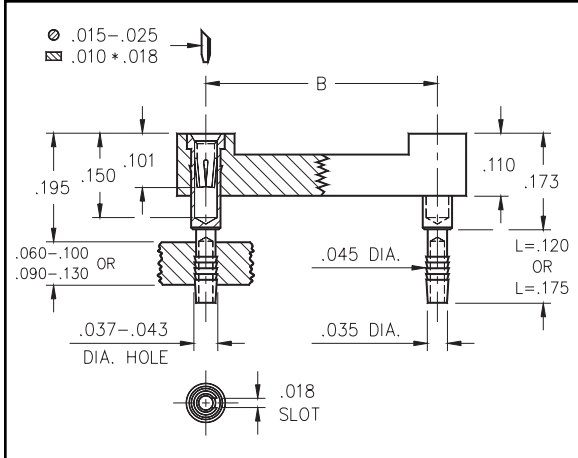


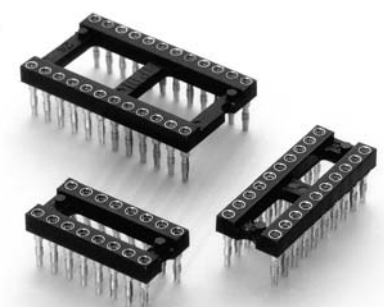


## DUAL-IN-LINE SOCKETS Solderless Press-Fit, Compliant Tail Open Frame

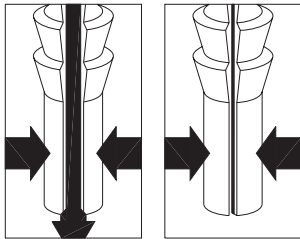
Series 146



- Unique compliant tail pins conform to  $.040 \pm .003$ " finished hole diameter without stressing inner layers.
- Two tails lengths are offered for  $.060$ "-. $100$ " and  $.090$ "-. $130$ " thick panels.
- Series 146 use MM #4612 or MM #4613 pins with a BeCu #30 contact, rated at 3 amps. See page 131 for details.
- Insulators are high temperature thermoplastic.



### APPLICATION OF COMPLIANT TAIL PINS



Mill-Max' patented\* compliant tail features precision machined pins that are hollow and slotted to conform to a  $.040 \pm .003$ " diameter PTH. As the pin is inserted, the slot compresses to fit the PTH, thus avoiding damage (see illustration at left). The pin's tail has fine serrations that form a perfect "gas tight" connection that doesn't require soldering. And since the pin doesn't damage the hole, compliant tail sockets and connectors can be easily replaced.

\*Patent No. 4,799,904.

Total number of pins	 <small>.100 (TYP)</small>			Quantity per tube	Ordering Information		
	L=.120 (for .060"- $100$ " thick panel)		L=.175 (for .090"- $130$ " thick panel)		 For RoHS compliance select $\diamond$ plating code.		
	A	B	C			93	43 $\diamond$
6	0.3	0.3	0.4	67	146-XX-306-41-012000	146-XX-306-41-013000	<div style="border: 1px solid black; border-radius: 50%; padding: 10px; text-align: center;"> <b>XX= Plating Code See Below</b> </div>
8	0.4	0.3	0.4	50	146-XX-308-41-012000	146-XX-308-41-013000	
14	0.7	0.3	0.4	28	146-XX-314-41-012000	146-XX-314-41-013000	
16	0.8	0.3	0.4	25	146-XX-316-41-012000	146-XX-316-41-013000	
18	0.9	0.3	0.4	22	146-XX-318-41-012000	146-XX-318-41-013000	
20	1.0	0.3	0.4	20	146-XX-320-41-012000	146-XX-320-41-013000	
24	1.2	0.3	0.4	16	146-XX-324-41-012000	146-XX-324-41-013000	
22	1.1	0.4	0.5	18	146-XX-422-41-012000	146-XX-422-41-013000	
24	1.2	0.6	0.7	16	146-XX-624-41-012000	146-XX-624-41-013000	
28	1.4	0.6	0.7	14	146-XX-628-41-012000	146-XX-628-41-013000	
32	1.6	0.6	0.7	12	146-XX-632-41-012000	146-XX-632-41-013000	
40	2.0	0.6	0.7	10	146-XX-640-41-012000	146-XX-640-41-013000	
SPECIFY PLATING CODE XX=					93	43 $\diamond$	
Sleeve (Pin)					200 $\mu$ " Sn/Pb	200 $\mu$ " Sn	
Contact (Clip)					30 $\mu$ " Au	30 $\mu$ " Au	