

Figure 1

1. INTRODUCTION

90-Degree Cable Clamp Assembly 1424030-1 is designed to be used in CHAMPOMATOR* 2.5 Bench Terminating Machine 762734-[]. The machine must be equipped with a clamp solenoid valve (shown in Figure 3) and a controller having software at Rev. 3.03.05 or later. To use the machine without these requirements, use 90-Degree Cable Clamp Assembly 768802-1 and follow the instructions packaged with that cable clamp.

The cable clamp permits the machine to apply discrete-wire jacketed cable to CHAMP* connectors.

NOTE

Make sure to retain all material in the bench terminating machine documentation package for reference. For information on the operation of the machine, refer to Customer Manual 409-5839 which is supplied with the machine.

Reasons for reissue of this instruction sheet are provided in Section 7, REVISION SUMMARY.

2. DESCRIPTION (Figure 1)

The cable clamp is designed to hold the cable in the correct position when terminating connectors with a 90° cable breakout. The cable clamp features an air-activated cylinder, jaw, spring plunger, wire holder,

and a position-adjustment track which permits the cable clamp to accommodate different connector sizes.

During the machine operation, the operator places the cable into the open cable clamp, actuates the spring plunger, and places the wires in the wire holder which holds the cable wires in place during the termination process helping to keep the loose wires out of the operator's way.

After all terminations have been completed, the operator actuates the cable clamp spring plunger to unclamp the cable and removes the completed cable assembly from the machine.

3. INSTALLATION

⚠ DANGER

It is necessary to open or remove machine covers to perform the following procedures. Be sure to replace ALL covers BEFORE operating the machine.

1. Turn off the machine's air supply by disengaging the air supply at the back of the machine.
2. Turn off the machine's electrical functions by switching the rocker switch on the back of the machine's control module.

DANGER To avoid personal injury, DISCONNECT air and electric power before making adjustments to the machine or cable clamp. DO NOT make adjustments while the machine is operational.

3. Remove the machine's main cover.
4. Slide the bottom of the cable clamp onto the base block assembly track as shown in Figure 2.

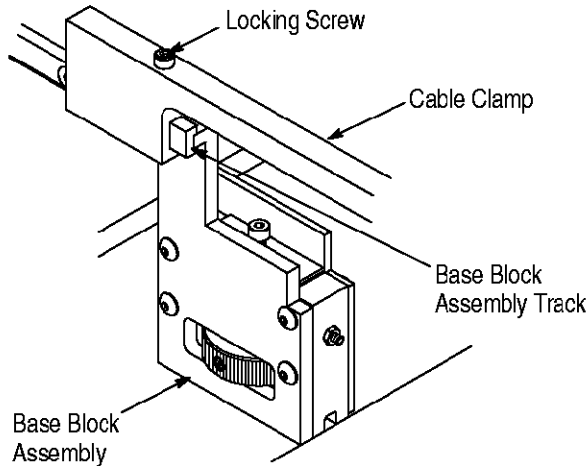


Figure 2

5. On the machine, plug the air hose from the clamp solenoid valve (see Figure 3) onto the fitting of the cable clamp (refer to Figure 1).

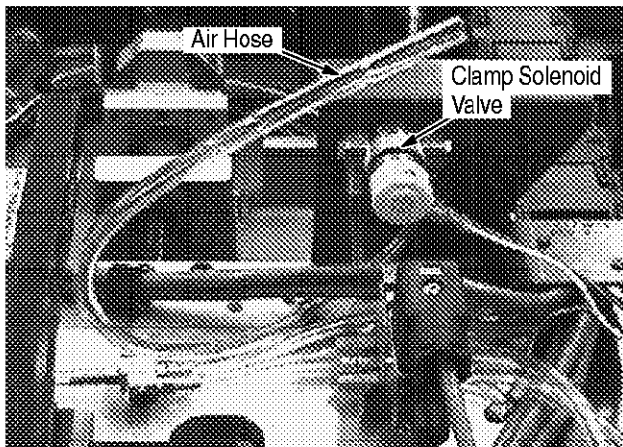


Figure 3

6. Turn on the air to the machine, and inspect the cable clamp for air leaks.
7. Load a properly prepared cable into the cable clamp.

NOTE The cable outer jacket must be removed prior to placing the cable in the cable clamp.

8. Adjust the position of the cable clamp and cable so that the cable breakout is located behind the first pair of connector contacts.
9. Tighten the locking screw with a 5/32-in. hex wrench.
10. Replace the machine's main cover, and turn on the machine's electrical power.

4. MAINTENANCE

Lubricate the position adjustment track with a good, quality, light machine oil to ensure optimum service. Wipe off any excess oil.

5. REPLACEMENTS PARTS

Figure 4 lists the items that are recommended as customer-replaceable parts. These items should be inspected regularly. Customer-replaceable parts should be stocked to prevent machine downtime in the event that they require replacement. For location of the items for the cable clamp, refer to Figure 1. For location of the air hose and clamp solenoid valve, refer to Figure 3.

Order replacement parts through your representative, or call 1-800-526-5142, or send a facsimile of your purchase order to 1-717-986-7605, or write to:

CUSTOMER SERVICE (38-35)
TYCO ELECTRONICS CORPORATION
P.O. BOX 3608
HARRISBURG, PA 17105-3608

PART NUMBER	DESCRIPTION	QTY PER ASSEMBLY
763596-1	Wire Holder	1
980311-3	Air-Activated Cylinder	1
980451-1	Spring Plunger	1
980338-1	Air Hose	Ref
994916-1	Clamp Solenoid Valve	1

Figure 4

6. OTHER CABLE CLAMPS

Cable clamps not supplied with the specific CHAMPOMATOR 2.5 bench terminating machine are required to terminate other product lines on the machine. For information on these cable clamps, contact your representative.

7. REVISION SUMMARY

Revisions to this instruction sheet per EC 0990-0535-03 include:

- Added information to Section 1
- Added Section 4