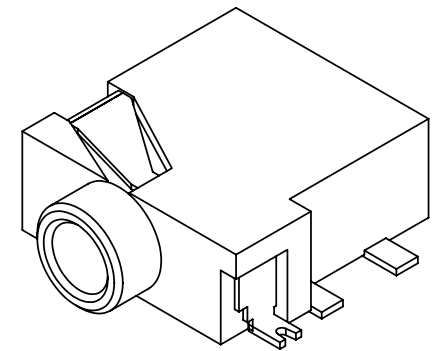
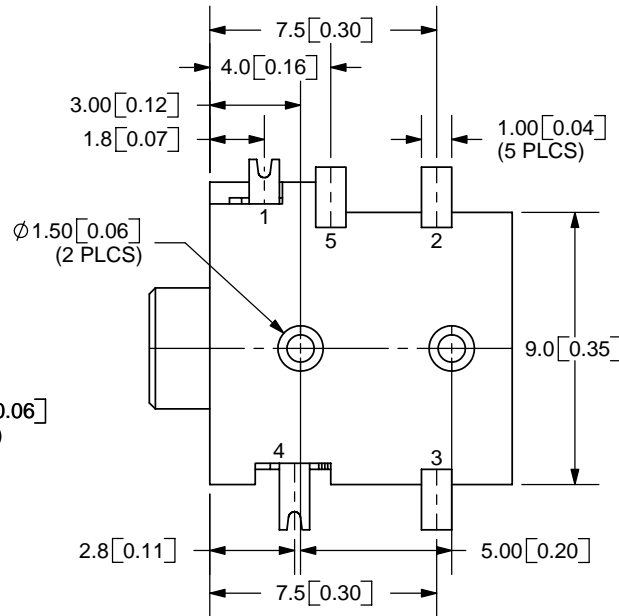
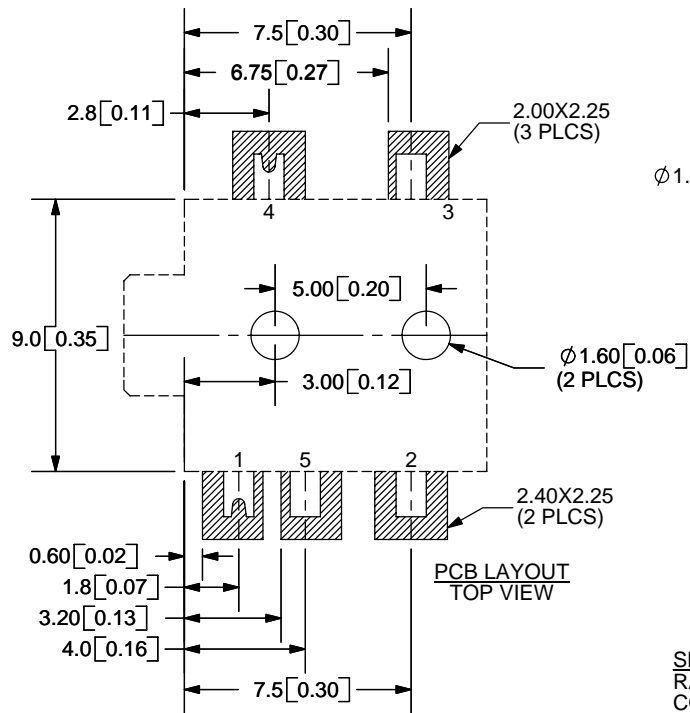
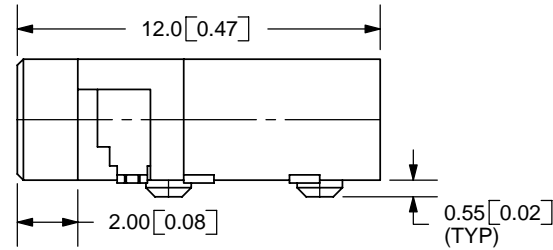
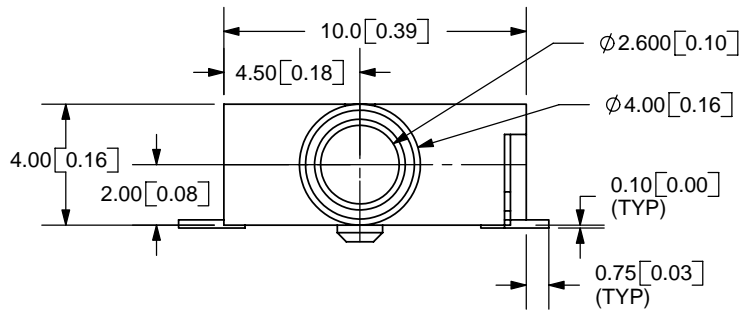


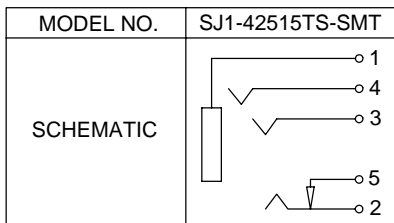
REV.	DESCRIPTION	DATE
A	NEW DRAWING	11/29/2005



TOLERANCE:  
 X.X ±0.2mm  
 X.XX ±0.1mm  
 X.XXX ±0.05mm



**SPECIFICATIONS:**  
 RATING: 16V DC @ 300mA  
 CONTACT RESISTANCE: 30m OHMS MAX  
 INSULATION RESISTANCE: 50M OHMS MIN: 500V DC  
 VOLTAGE WITHSTAND: 500V AC R.M.S. FOR 1 MINUTE  
 LIFE: 5,000 CYCLES



	MATERIAL	PLATING
TERMINAL 1	Copper Alloy	Gold
TERMINAL 2	Copper Alloy	Gold
TERMINAL 3	Copper Alloy	Gold
TERMINAL 4	Copper Alloy	Gold
TERMINAL 5	Brass	Gold
HOUSING	PA6T	



9615 SW Allen Blvd., Ste. 103  
 Beaverton, OR 97005  
 Phone: 503-643-4899  
 800-275-4899  
 Fax: 503-372-1266  
 Website: www.cui.com

TITLE:	SMT AUDIO JACK W/4 CONDUCTORS 2.5mm	REV:	A
PART NO.	SJ1-42515TS-SMT	UNITS:	MM [INCHES]
DRAWN BY:	ZRJ	APPROVED BY:	
		SCALE:	4:1

PC FILE NAME:  
 SJ1-42515TS-SMT

COPYRIGHT 2006 BY CUI INC.