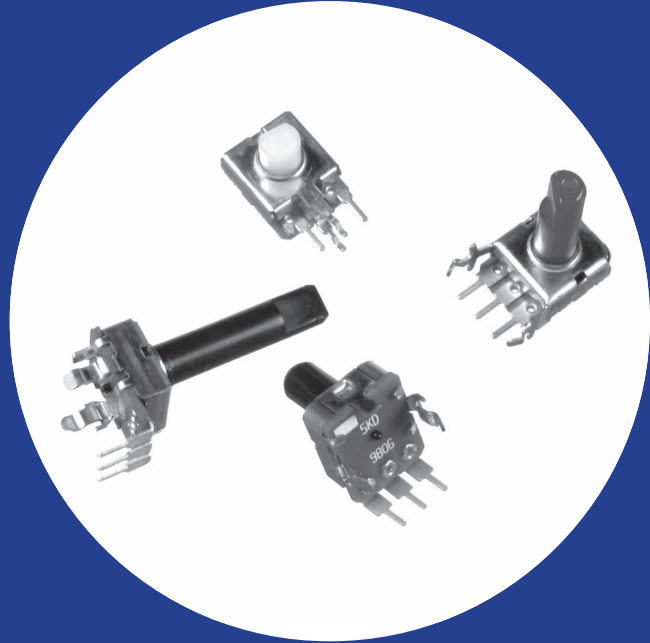


## Commercial 12mm Diameter Composition Variable Resistors

### Features

- Miniature 12mm size
- Low cost
- Snap-in bracket for PC board mounting
- Detent available
- Insulated shaft available
- RoHS compliant



## Electrical and Mechanical Specifications

### Resistance Range

500 ohms through 1 Megohms

### Resistance Tolerance

±20%, ±10%

### Power Rating

0.15 watts @ 50°C

### Dielectric Strength

500 VDC for 1 minute

### Maximum Operating Voltage

350 VDC

### Insulation Resistance

100 Megohms minimum @ 250VDC

### Rotational Angle

Mechanical angle: 300° ± 5°

Effective angle: 280° ± 5°

### Rotational Torque

20 – 216 gf-cm

### Stop Strength

5.76 kg-cm minimum (VR without detent)

3 kg-cm minimum (VR with detent)

### Mounting Information

P.C. board mounting

Type "X": Shaft parallel to P.C. board

Type "U": Shaft vertical to P.C. board

Type "H": Same as "X" except hook terminals

### Detent

Detent @ 50% rotation

### Push-Pull strength on shaft

8 kg for 10 seconds

### Rotational life

10K cycles

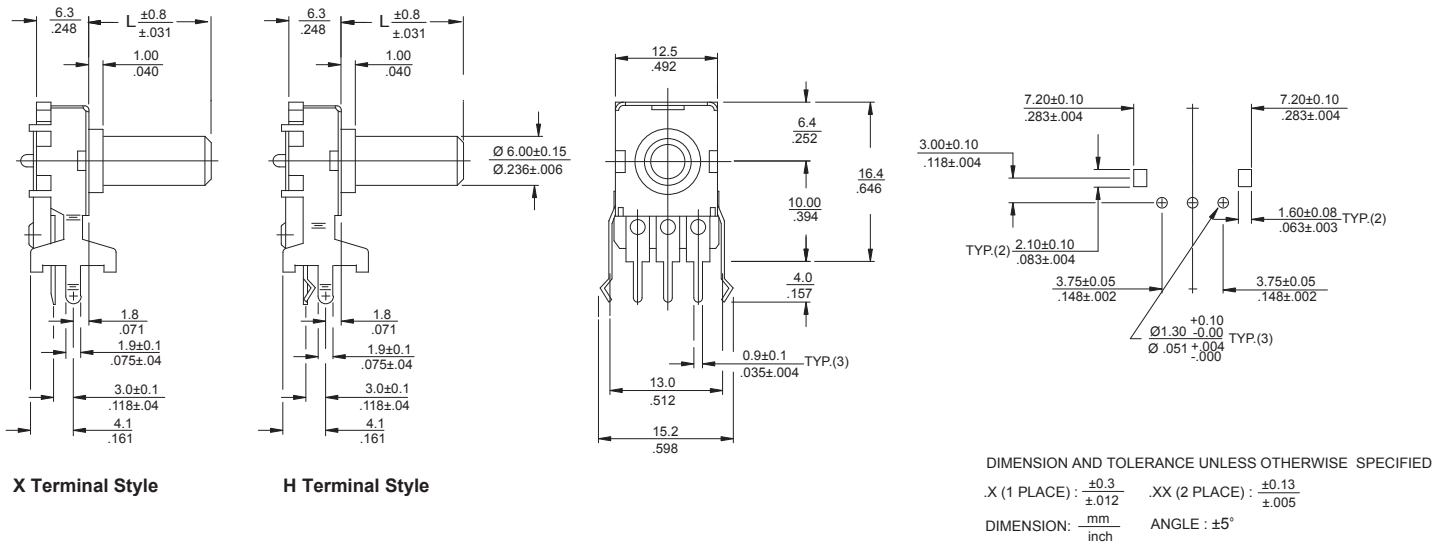
### Operating temperature

-10°C ~ 80°C

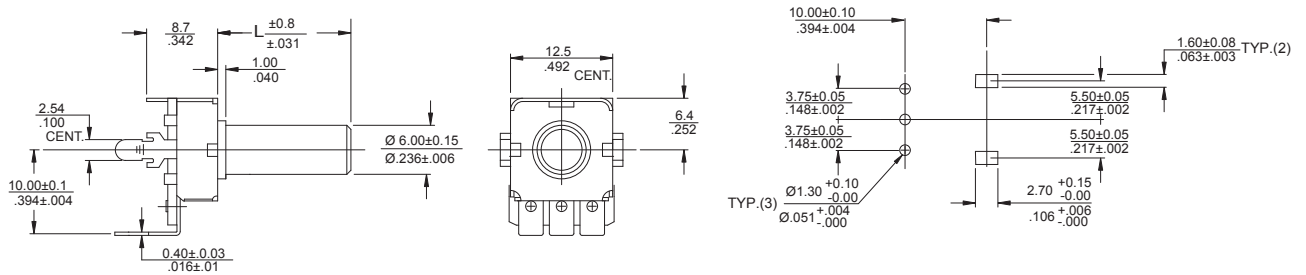
### Solder Heat Resistance

260°C for 5 seconds

## XM 296RE/ HM 296RE Molded Shaft, Shaft Parallel to P.C. Board



## UM 296RE Molded Shaft, Shaft Perpendicular to P.C. Board



## Ordering Information

