

P _ C _ _ S _ _ N

TERMINATION TYPE

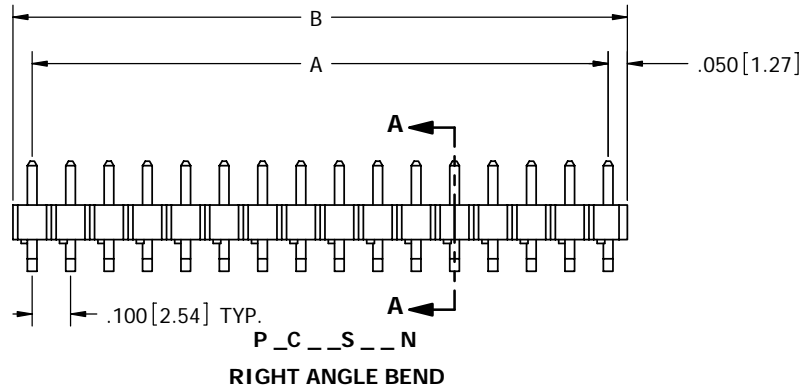
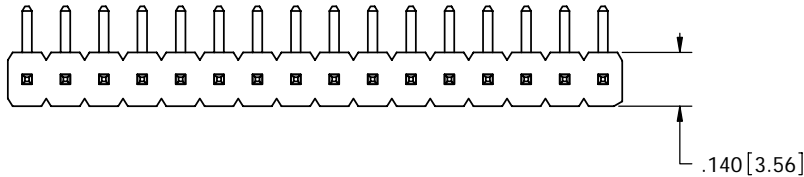
NUMBER OF POSITIONS PER ROW
(01 THRU 36)

PLATING

ALL PLATINGS HAVE .000050" NICKEL UNDERPLATE
CONTACT SURFACE TERMINATION

B = .000010" GOLD .000100" PURE TIN, MATTE
C = .000030" GOLD .000100" PURE TIN, MATTE
E = .000100" PURE TIN, MATTE OVERALL

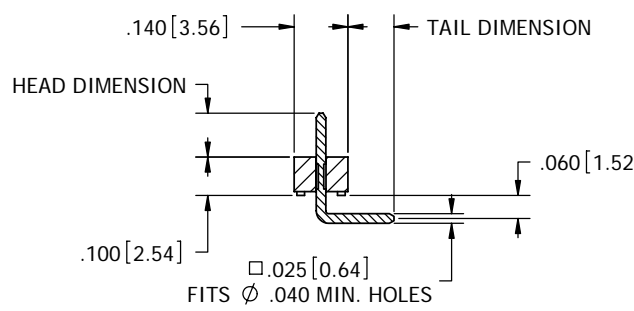
LEAD FREE



TERMINATION TYPE RIGHT ANGLE BEND		
TERMINATION CODE	HEAD DIMENSION ±.008[0.20]	TAIL DIMENSION ±.025[0.64]
BA	.230[5.84]	.100[2.54]
BB	.230[5.84]	.200[5.08]
BC	.230[5.84]	.300[7.62]
BD	.230[5.84]	.400[10.16]
BE	.230[5.84]	.500[12.17]
BF	.230[5.84]	.600[15.24]
BG	.230[5.84]	.700[17.78]
GA	.318[8.08]	.100[2.54]
GB	.318[8.08]	.200[5.08]
GC	.318[8.08]	.300[7.62]
GD	.318[8.08]	.400[10.16]
DA	.120[3.05]	.120[3.05]

REVISIONS				
REV.	ECO NO.	DESCRIPTION	DATE	BY
A	1143	INITIAL RELEASE	3/8/2007	SB

PART NUMBER	A		B	
	INCH ±.008	MM ±0.20	INCH ±.020	MM ±0.51
P_C01S_N	0.000	0.00	0.100	2.54
P_C02S_N	0.100	2.54	0.200	5.08
P_C03S_N	0.200	5.08	0.300	7.62
P_C04S_N	0.300	7.62	0.400	10.16
P_C05S_N	0.400	10.16	0.500	12.70
P_C06S_N	0.500	12.70	0.600	15.24
P_C07S_N	0.600	15.24	0.700	17.78
P_C08S_N	0.700	17.78	0.800	20.32
P_C09S_N	0.800	20.32	0.900	22.86
P_C10S_N	0.900	22.86	1.000	25.40
P_C11S_N	1.000	25.40	1.100	27.94
P_C12S_N	1.100	27.94	1.200	30.48
P_C13S_N	1.200	30.48	1.300	33.02
P_C14S_N	1.300	33.02	1.400	35.56
P_C15S_N	1.400	35.56	1.500	38.10
P_C16S_N	1.500	38.10	1.600	40.64
P_C17S_N	1.600	40.64	1.700	43.18
P_C18S_N	1.700	43.18	1.800	45.72
P_C19S_N	1.800	45.72	1.900	48.26
P_C20S_N	1.900	48.26	2.000	50.80
P_C21S_N	2.000	50.80	2.100	53.34
P_C22S_N	2.100	53.34	2.200	55.88
P_C23S_N	2.200	55.88	2.300	58.42
P_C24S_N	2.300	58.42	2.400	60.96
P_C25S_N	2.400	60.96	2.500	63.50
P_C26S_N	2.500	63.50	2.600	66.04
P_C27S_N	2.600	66.04	2.700	68.58
P_C28S_N	2.700	68.58	2.800	71.12
P_C29S_N	2.800	71.12	2.900	73.66
P_C30S_N	2.900	73.66	3.000	76.20
P_C31S_N	3.000	76.20	3.100	78.74
P_C32S_N	3.100	78.74	3.200	81.28
P_C33S_N	3.200	81.28	3.300	83.82
P_C34S_N	3.300	83.82	3.400	86.36
P_C35S_N	3.400	86.36	3.500	88.90
P_C36S_N	3.500	88.90	3.600	91.44



SECTION A-A
SCALE 4 : 1



RoHS COMPLIANT

- NOTES:
1. INSULATOR MATERIAL: PBT
 2. CONTACT MATERIAL: PHOSPHOR BRONZE
 3. PLATING: SEE PART NUMBER CODING
 4. TEMPERATURE: -65°C TO +125°C
 5. PROCESSING TEMP: 260°C FOR 10 SECONDS MAX
 6. UL FLAMMABILITY RATING: 94V-0
 7. VOLTAGE RATING: 600 VDC MINIMUM AT SEA LEVEL.
 8. CURRENT RATING: 3 AMP PER CONTACT PAIR
 9. VOLTAGE DROP: 30 MILLI VOLT AT RATED CURRENT
 10. INSULATION RESISTANCE: 5000 MEGA OHM

CUSTOMER COPY

UNLESS OTHERWISE SPECIFIED: DIMENSIONS ARE IN INCHES[MM]		DATE		NAME	
TOLERANCES: ANGULAR: ± 1° XX = ± .02 [.508] .XXX = ± .005 [.1270] XXXX = ± .0005 [.0127] PARENTHEICAL INFORMATION IS FOR REFERENCE ONLY		DRAWN		DESCRIPTION	
INTERPRET DIMENSIONS AND GEOMETRIC TOLERANCING PER: ANSI Y14.5-1984		THE INFORMATION HEREIN CONTAINS PROPRIETARY INFORMATION OF SULLINS ELECTRONICS AND IS NOT TO BE REPRODUCED, USED OR DISCLOSED TO OTHERS FOR ANY PURPOSE EXCEPT AS SPECIFICALLY AUTHORIZED IN WRITING BY AN OFFICER OF SULLINS ELECTRONICS.		SULLINS ELECTRONICS	
PART NUMBER P_C _ _ S _ _ N		SIZE C		DESCRIPTION HEADER, .100 CC	
DWG. NO. C10907		REV A		SCALE: 1:1	
SHEET 1 OF 1		SHEET 1 OF 1		SHEET 1 OF 1	