

PART NUMBER CODING

P _ C _ _ S _ _ N

TERMINATION TYPE

NUMBER OF POSITIONS PER ROW

(01 THRU 36)

PLATING

ALL PLATINGS HAVE .000050" NICKEL UNDERPLATE

CONTACT SURFACE

TERMINATION

B = .000010" GOLD

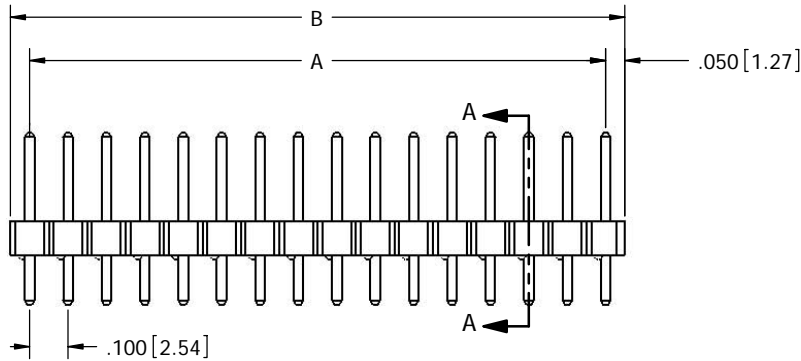
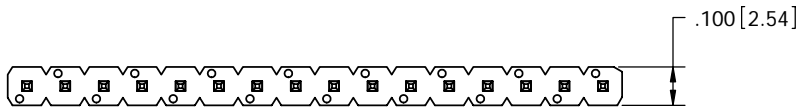
.000100" PURE TIN, MATTE

C = .000030" GOLD

.000100" PURE TIN, MATTE

E = .000100" PURE TIN, MATTE OVERALL

LEAD FREE



P _ C _ _ S _ _ N

STRAIGHT

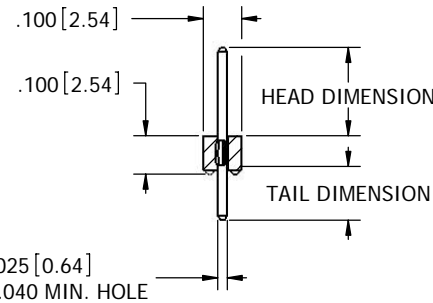
NOTES:

- INSULATOR MATERIAL: PBT
- CONTACT MATERIAL: PHOSPHOR BRONZE
- PLATING: SEE PART NUMBER CODING
- TEMPERATURE: -65 °C TO +125 °C
- PROCESSING TEMP: 260 °C FOR 10 SECONDS MAX
- UL FLAMMABILITY RATING: 94V-0
- VOLTAGE RATING: 600 VDC MINIMUM AT SEA LEVEL.
- CURRENT RATING: 3 AMP PER CONTACT PAIR
- VOLTAGE DROP: 30 MILLI VOLT AT RATED CURRENT
- INSULATION RESISTANCE: 5000 MEGA OHM

REVISIONS				
REV.	ECO. NO	DESCRIPTION	DATE	BY
A	861	INITIAL RELEASE	12/14/2005	HT
B	1143	ADD ALL TERMINATION TYPES	9/14/2006	MV

TERMINATION TYPE		
CODE	HEAD DIMENSION	TAIL DIMENSION
	±.008 [0.20]	±.010 [0.25]
AA	.230[5.84]	.120[3.05]
AB	.230[5.84]	.230[5.84]
AC	.230[5.84]	.320[8.13]
AD	.230[5.84]	.420[10.67]
AE	.230[5.84]	.520[13.21]
AF	.230[5.84]	.620[15.75]
AG	.230[5.84]	.720[18.29]
AH	.230[5.84]	.820[20.83]
FA	.318[8.08]	.120[3.05]
FB	.318[8.08]	.220[5.59]
FC	.318[8.08]	.320[8.13]
FD	.318[8.08]	.420[10.67]
FE	.318[8.08]	.520[13.21]
ZA	.120[3.05]	.120[3.05]
ZC	.120[3.05]	.260[6.60]
ZD	.120[3.05]	.610[15.49]

PART NUMBER	A		B	
	INCH	MM	INCH	MM
P_C01S__N	0.000	0.00	0.100	2.54
P_C02S__N	0.100	2.54	0.200	5.08
P_C03S__N	0.200	5.08	0.300	7.62
P_C04S__N	0.300	7.62	0.400	10.16
P_C05S__N	0.400	10.16	0.500	12.70
P_C06S__N	0.500	12.70	0.600	15.24
P_C07S__N	0.600	15.24	0.700	17.78
P_C08S__N	0.700	17.78	0.800	20.32
P_C09S__N	0.800	20.32	0.900	22.86
P_C10S__N	0.900	22.86	1.000	25.40
P_C11S__N	1.000	25.40	1.100	27.94
P_C12S__N	1.100	27.94	1.200	30.48
P_C13S__N	1.200	30.48	1.300	33.02
P_C14S__N	1.300	33.02	1.400	35.56
P_C15S__N	1.400	35.56	1.500	38.10
P_C16S__N	1.500	38.10	1.600	40.64
P_C17S__N	1.600	40.64	1.700	43.18
P_C18S__N	1.700	43.18	1.800	45.72
P_C19S__N	1.800	45.72	1.900	48.26
P_C20S__N	1.900	48.26	2.000	50.80
P_C21S__N	2.000	50.80	2.100	53.34
P_C22S__N	2.100	53.34	2.200	55.88
P_C23S__N	2.200	55.88	2.300	58.42
P_C24S__N	2.300	58.42	2.400	60.96
P_C25S__N	2.400	60.96	2.500	63.50
P_C26S__N	2.500	63.50	2.600	66.04
P_C27S__N	2.600	66.04	2.700	68.58
P_C28S__N	2.700	68.58	2.800	71.12
P_C29S__N	2.800	71.12	2.900	73.66
P_C30S__N	2.900	73.66	3.000	76.20
P_C31S__N	3.000	76.20	3.100	78.74
P_C32S__N	3.100	78.74	3.200	81.28
P_C33S__N	3.200	81.28	3.300	83.82
P_C34S__N	3.300	83.82	3.400	86.36
P_C35S__N	3.400	86.36	3.500	88.90
P_C36S__N	3.500	88.90	3.600	91.44



□.025 [0.64]
FITS Ø .040 MIN. HOLE

SECTION A - A

CUSTOMER COPY



RoHS COMPLIANT

UNLESS OTHERWISE SPECIFIED: DIMENSIONS ARE IN INCHES[MM]		DATE	NAME
TOLERANCES: ANGULAR: ± 1° XX = ± .02 [508] .XXX = ± .005 [1270] .XXXX = ± .0005 [0127] PARENTHETICAL INFORMATION IS FOR REFERENCE ONLY		12/14/2005	HT
THE INFORMATION HEREIN CONTAINS PROPRIETARY INFORMATION OF SULLINS ELECTRONICS AND IS NOT TO BE REPRODUCED, USED OR DISCLOSED TO OTHERS FOR ANY PURPOSE EXCEPT AS SPECIFICALLY AUTHORIZED BY WRITING FROM AN OFFICER OF SULLINS ELECTRONICS.			
INTERPRET DIMENSIONS AND GEOMETRIC TOLERANCING PER: ANSI Y14.5-1984			
SULLINS ELECTRONICS		DESCRIPTION	
PART NUMBER		HEADER, .100 CC	
P _ C _ _ S _ _ N		PART NUMBER	
SIZE	DWG. NO.	REV	
C	C10640	B	
SCALE: 1:1		SHEET 1 OF 1	