

PART NUMBER CODING

P _ C _ _ D _ _ N

TERMINATION TYPE

NUMBER OF POSITIONS PER ROW

(01 THRU 36)

PLATING

ALL PLATINGS HAVE .000050" NICKEL UNDERPLATE

CONTACT SURFACE

TERMINATION

B = .000010" GOLD

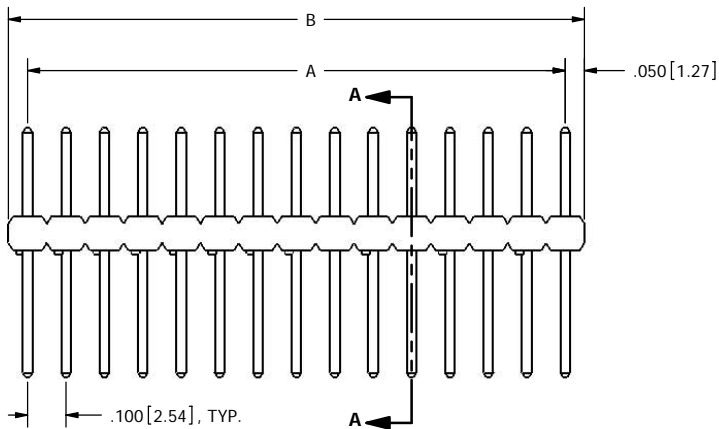
.000100" PURE TIN, MATTE

C = .000030" GOLD

.000100" PURE TIN, MATTE

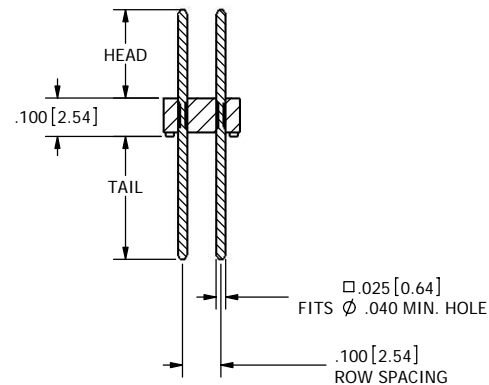
E = .000100" PURE TIN, MATTE OVERALL

LEAD FREE



P _ C _ _ D _ _ N

STRAIGHT TERMINATION



SECTION A-A

REVISIONS

REV.	ECO. NO	DESCRIPTION	DATE	BY
A	1030	INITIAL RELEASE	05/17/2006	HT

TERMINATION TYPE			A		B	
STRAIGHT			INCH	MM	INCH	MM
CODE	HEAD DIMENSION ±.008 [0.20]	TAIL DIMENSION ±.010 [0.25]	±.008	±0.20	±.020	±0.51
AA	.230[5.84]	.120[3.05]	0.000	0.00	0.100	2.54
AB	.230[5.84]	.230[5.84]	0.100	2.54	0.200	5.08
AC	.230[5.84]	.320[8.13]	0.200	5.08	0.300	7.62
AD	.230[5.84]	.420[10.67]	0.300	7.62	0.400	10.16
AE	.230[5.84]	.520[13.21]	0.400	10.16	0.500	12.70
AF	.230[5.84]	.620[15.75]	0.500	12.70	0.600	15.24
AG	.230[5.84]	.720[18.29]	0.600	15.24	0.700	17.78
AH	.230[5.84]	.820[20.83]	0.700	17.78	0.800	20.32
FA	.318[8.08]	.120[3.05]	0.800	20.32	0.900	22.86
FB	.318[8.08]	.220[5.59]	0.900	22.86	1.000	25.40
FC	.318[8.08]	.320[8.13]	1.000	25.40	1.100	27.94
FD	.318[8.08]	.420[10.67]	1.100	27.94	1.200	30.48
FE	.318[8.08]	.520[13.21]	1.200	30.48	1.300	33.02
ZA	.120[3.05]	.120[3.05]	1.300	33.02	1.400	35.56
ZC	.120[3.05]	.260[6.60]	1.400	35.56	1.500	38.10
ZD	.120[3.05]	.610[15.49]	1.500	38.10	1.600	40.64
			1.600	40.64	1.700	43.18
			1.700	43.18	1.800	45.72
			1.800	45.72	1.900	48.26
			1.900	48.26	2.000	50.80
			2.000	50.80	2.100	53.34
			2.100	53.34	2.200	55.88
			2.200	55.88	2.300	58.42
			2.300	58.42	2.400	60.96
			2.400	60.96	2.500	63.50
			2.500	63.50	2.600	66.04
			2.600	66.04	2.700	68.58
			2.700	68.58	2.800	71.12
			2.800	71.12	2.900	73.66
			2.900	73.66	3.000	76.20
			3.000	76.20	3.100	78.74
			3.100	78.74	3.200	81.28
			3.200	81.28	3.300	83.82
			3.300	83.82	3.400	86.36
			3.400	86.36	3.500	88.90
			3.500	88.90	3.600	91.44

NOTES:

1. INSULATOR MATERIAL: PBT
2. CONTACT MATERIAL: PHOSPHOR BRONZE
3. PLATING: SEE PART NUMBER CODING
4. TEMPERATURE: -65°C TO +125°C
5. PROCESSING TEMP: 260°C FOR 10 SECONDS MAX
6. UL FLAMMABILITY RATING: 94V-0
7. VOLTAGE RATING: 600 VDC MINIMUM AT SEA LEVEL.
8. CURRENT RATING: 3 AMP PER CONTACT PAIR
9. VOLTAGE DROP: 30 MILLI VOLT AT RATED CURRENT
10. INSULATION RESISTANCE: 5000 MEGA OHM



RoHS COMPLIANT

CUSTOMER COPY

UNLESS OTHERWISE SPECIFIED: DIMENSIONS ARE IN INCHES[MM]		DATE	NAME
TOLERANCES: ANGULAR: ± 1° XX = ± .02 [508] .XXX = ± .005 [1270] XXXX = ± .0005 [0127] PARENTHEetical INFORMATION IS FOR REFERENCE ONLY		05/17/06	HT
THE INFORMATION HEREIN CONTAINS PROPRIETARY INFORMATION OF SULLINS ELECTRONICS AND IS NOT TO BE REPRODUCED, USED OR DISCLOSED TO OTHERS FOR ANY PURPOSE EXCEPT AS SPECIFICALLY AUTHORIZED IN WRITING BY AN OFFICER OF SULLINS ELECTRONICS.			
INTERPRET DIMENSIONS AND GEOMETRIC TOLERANCING PER: ANSI Y14.5-1984		SULLINS ELECTRONICS DESCRIPTION .100" MALE HEADER PART NUMBER P _ C _ _ D _ _ N SIZE DWG. NO. C C10726 SCALE: 4:1	
REV. A		REV. A	